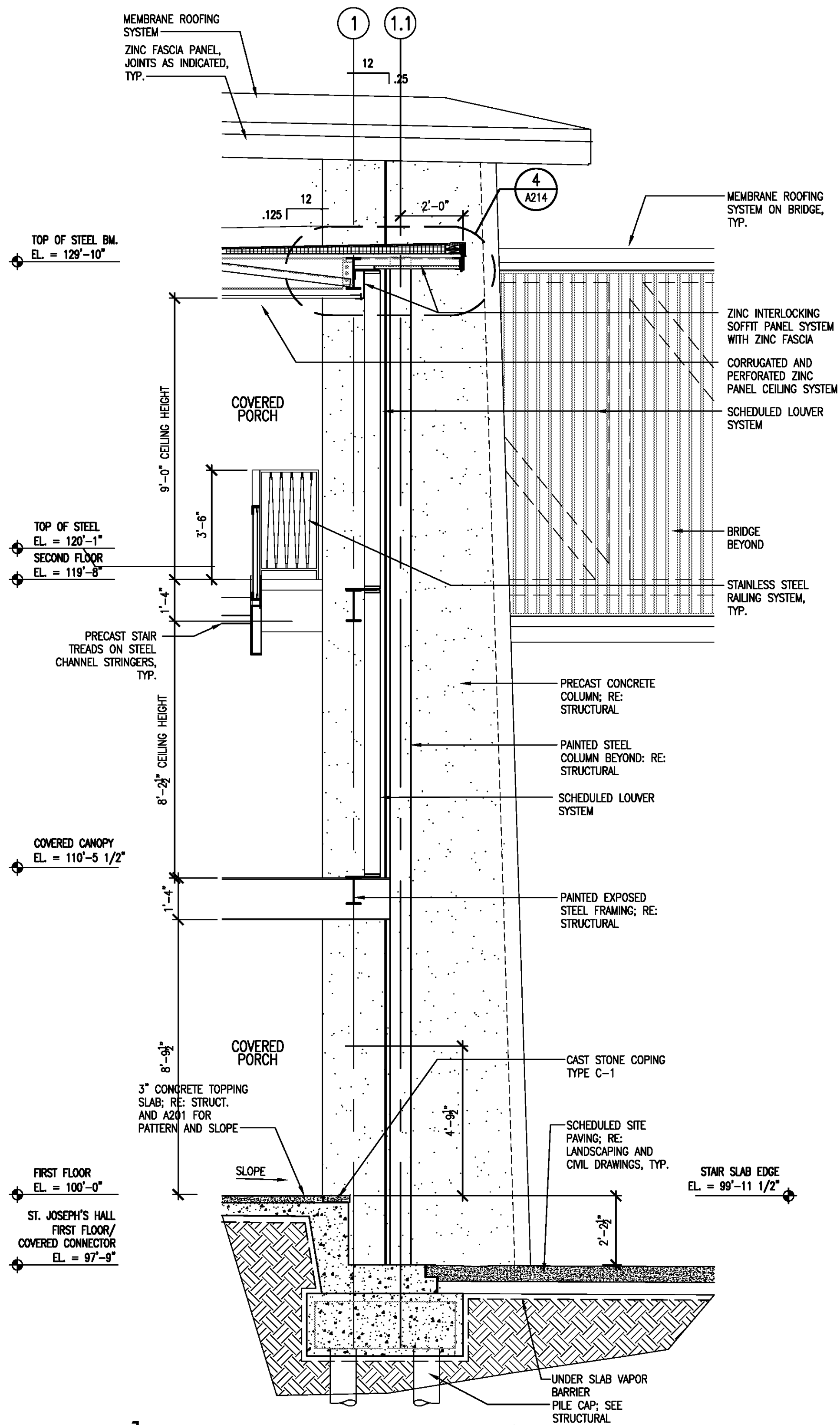
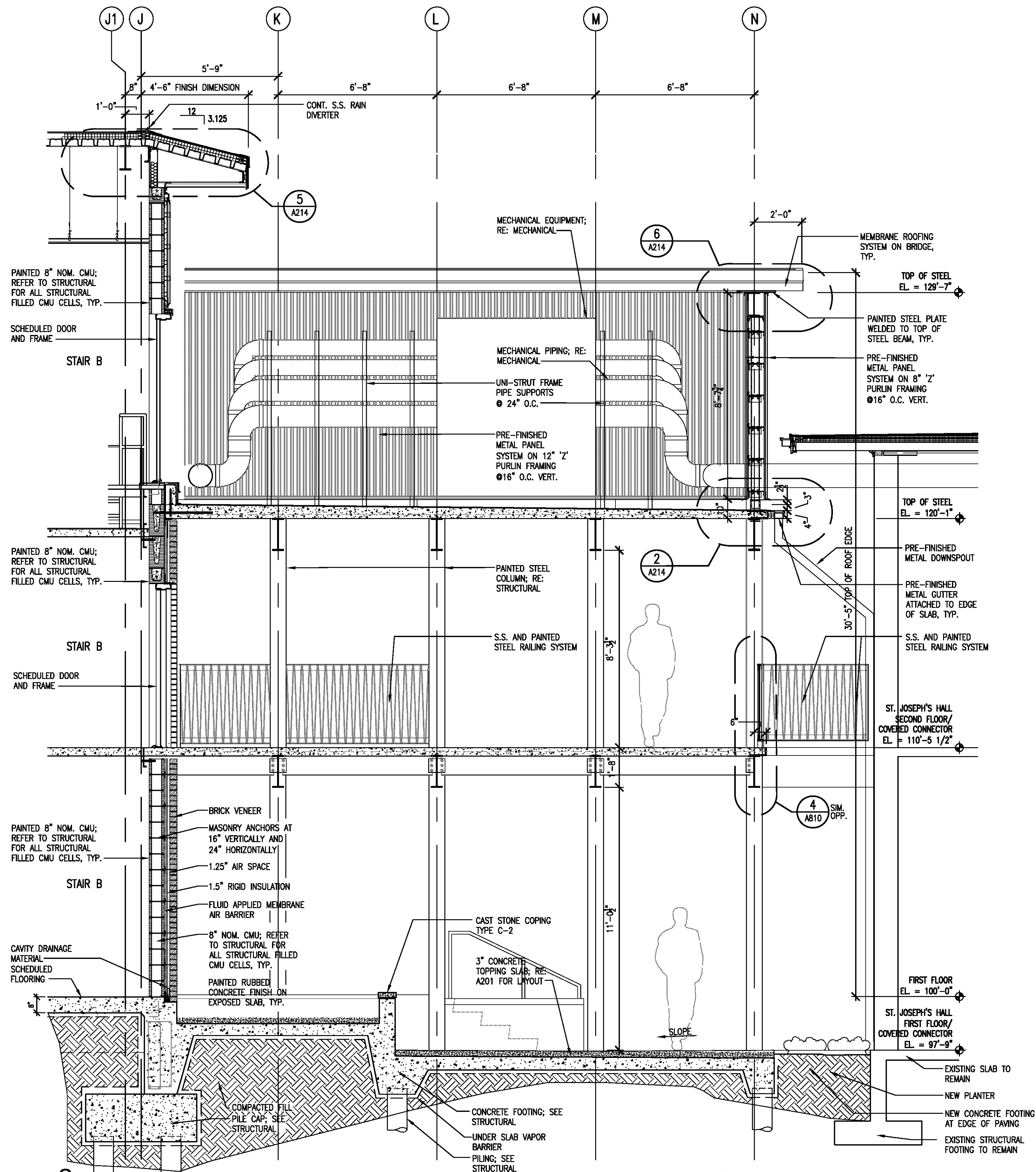


**3 PARTIAL WALL SECTION** BETWEEN COLUMNS J & K  
A201 | A328 3/8" = 1' - 0"



**1 WALL SECTION**  
A201 | A328 3/8" = 1' - 0"



**2 WALL SECTION**  
A201 | A328 3/8" = 1' - 0"

COPYRIGHT © 2009 by Waggoner & Ball Architects, APC. All rights reserved. No part of the work covered by the copyright herein may be reproduced or used in any form or by any means - graphic, electronic or mechanical, including photocopying, recording, taping or information storage and retrieval systems - without written permission of the copyright holder.

SHEET TITLE: WALL SECTIONS

DATE:	JAN 08, 2010
DRAWN BY:	ART
REVISION:	

