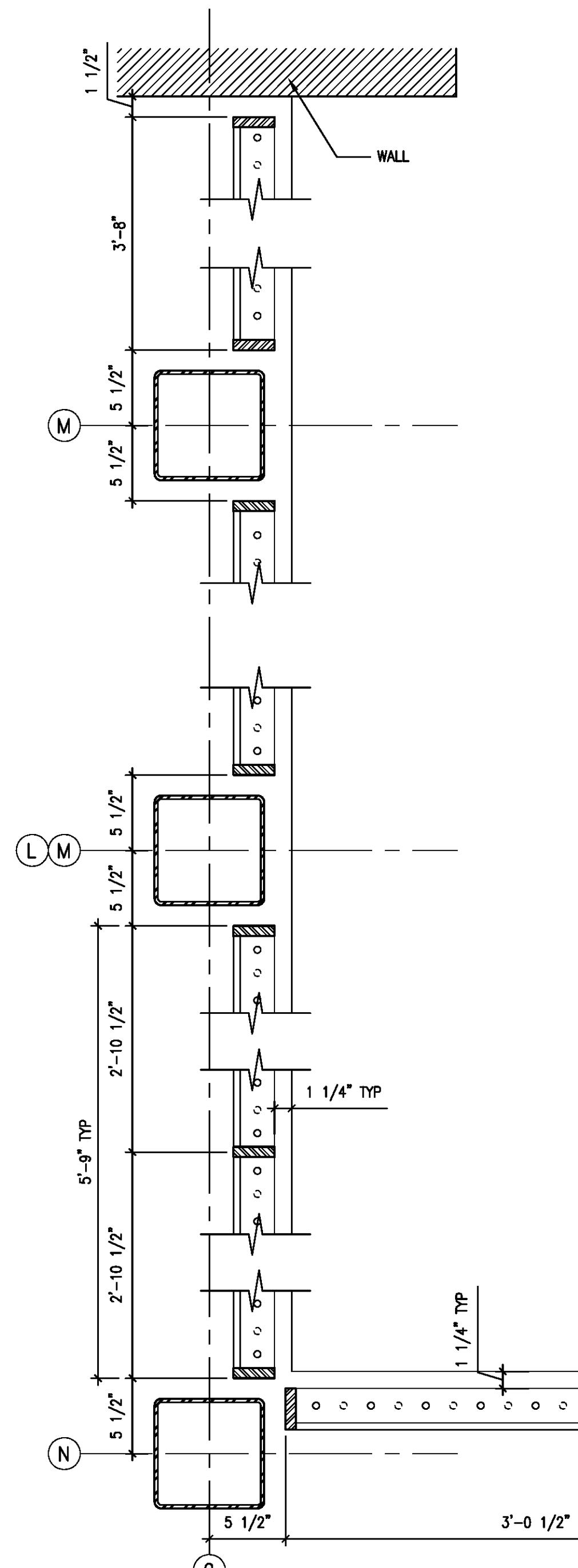


5

PLAN DETAIL

A201M | A352

RAILING TYPE 1 1 1/2" = 1' - 0"

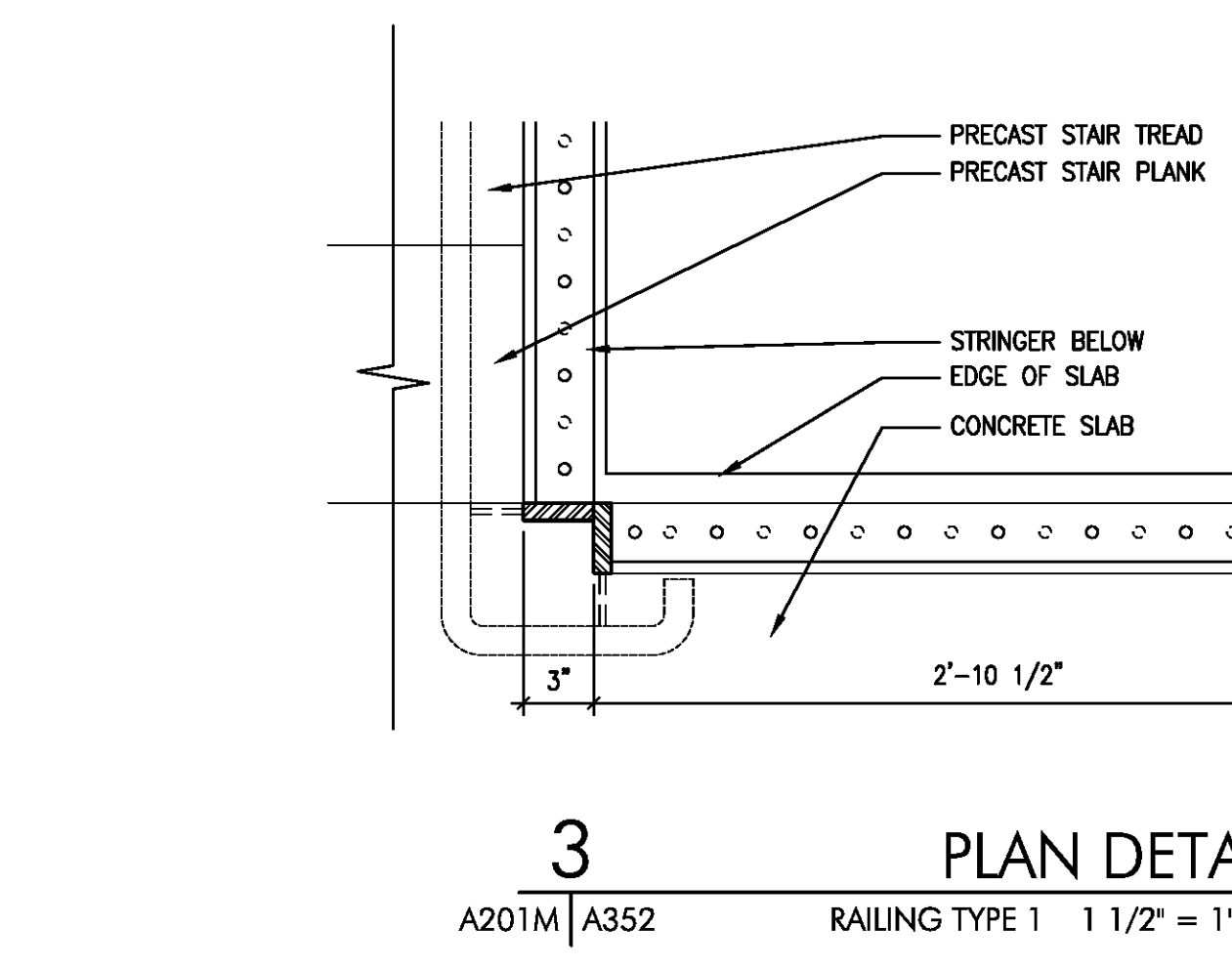


4

PLAN DETAIL

A201M | A352

RAILING TYPE 1 1 1/2" = 1' - 0"

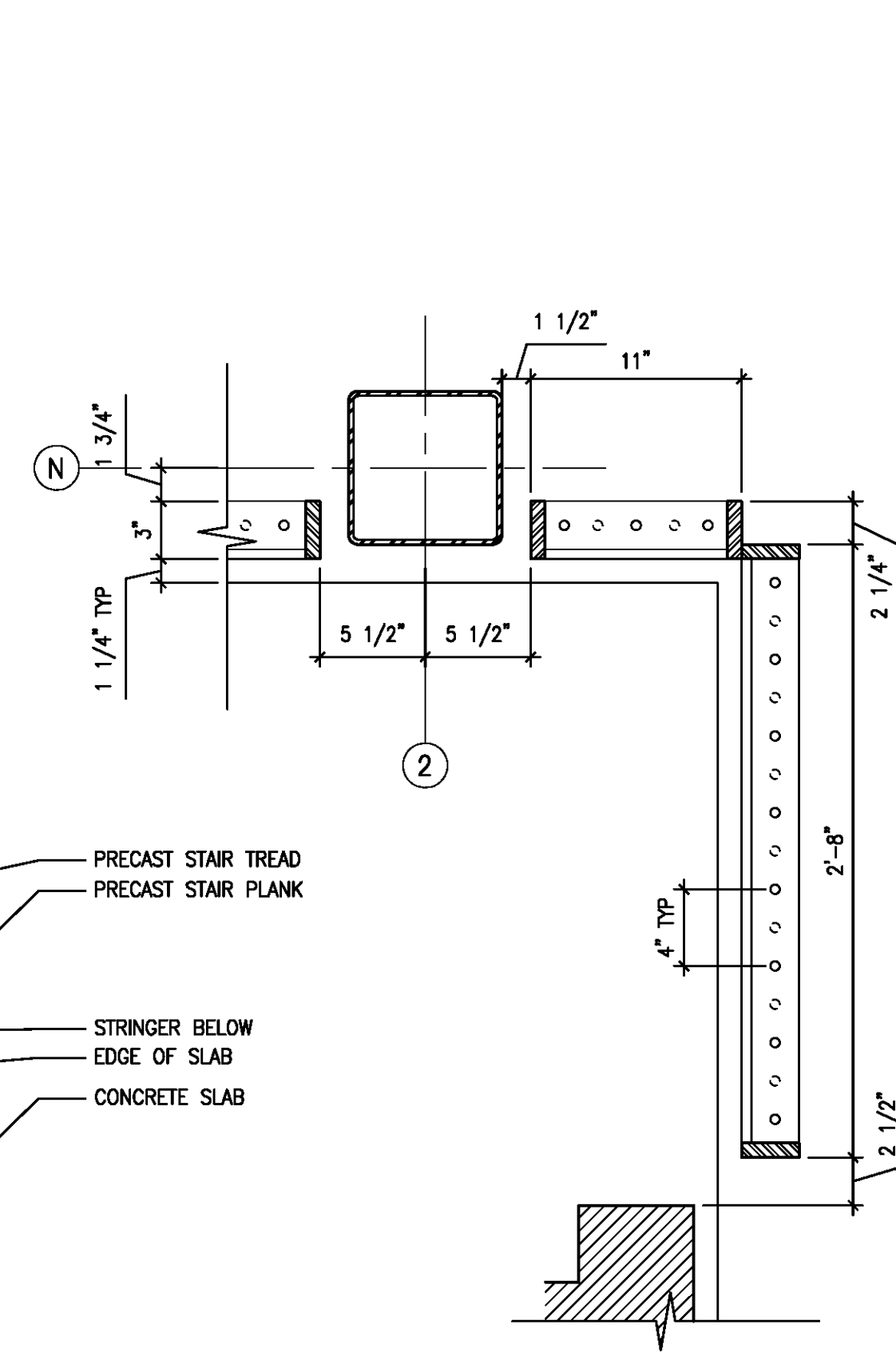


3

PLAN DETAIL

A201M | A352

RAILING TYPE 1 1 1/2" = 1' - 0"

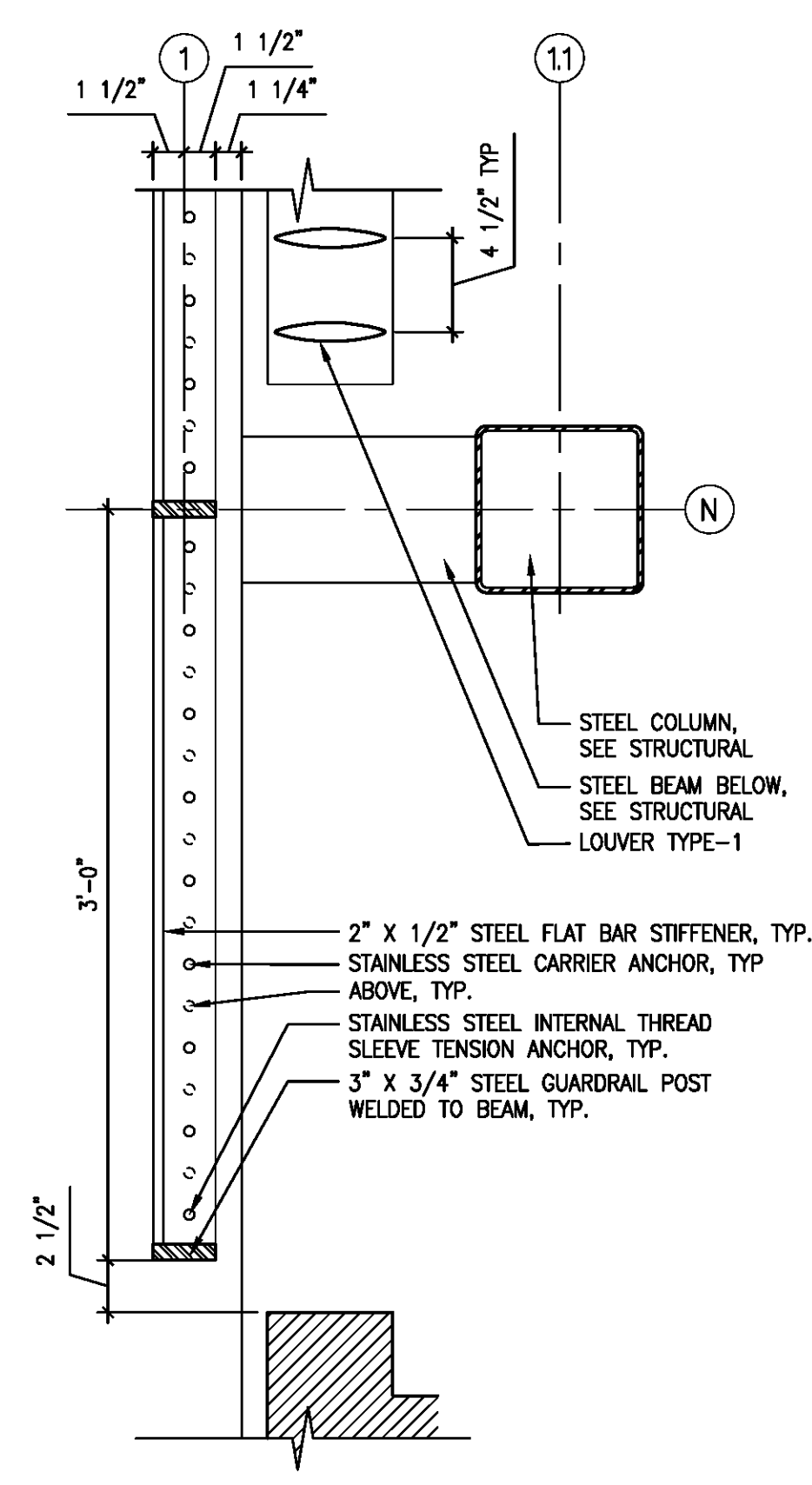


2

PLAN DETAIL

A201M | A352

RAILING TYPE 1 1 1/2" = 1' - 0"



1

PLAN DETAIL

A201M | A352

RAILING TYPE 1 1 1/2" = 1' - 0"

COPYRIGHT © 2009 by Waggoner & Ball Architects, APC.
All rights reserved. No part of the work covered by the copyright herein may be reproduced or used in any form or by any means - graphic, electronic or mechanical, including photocopying, recording, taping or information storage and retrieval systems - without written permission of the copyright holder.

ACADEMY OF THE SACRED HEART PHASE 2
New Arts and Athletics Facility

4501 CARONDELET ST.
NEW ORLEANS, LOUISIANA 70115
PROJECT NO.: 0209-20

SHEET TITLE: RAILING DETAILS

DATE: JAN 08, 2010

DRAWN BY: JRD

REVISION:



A352