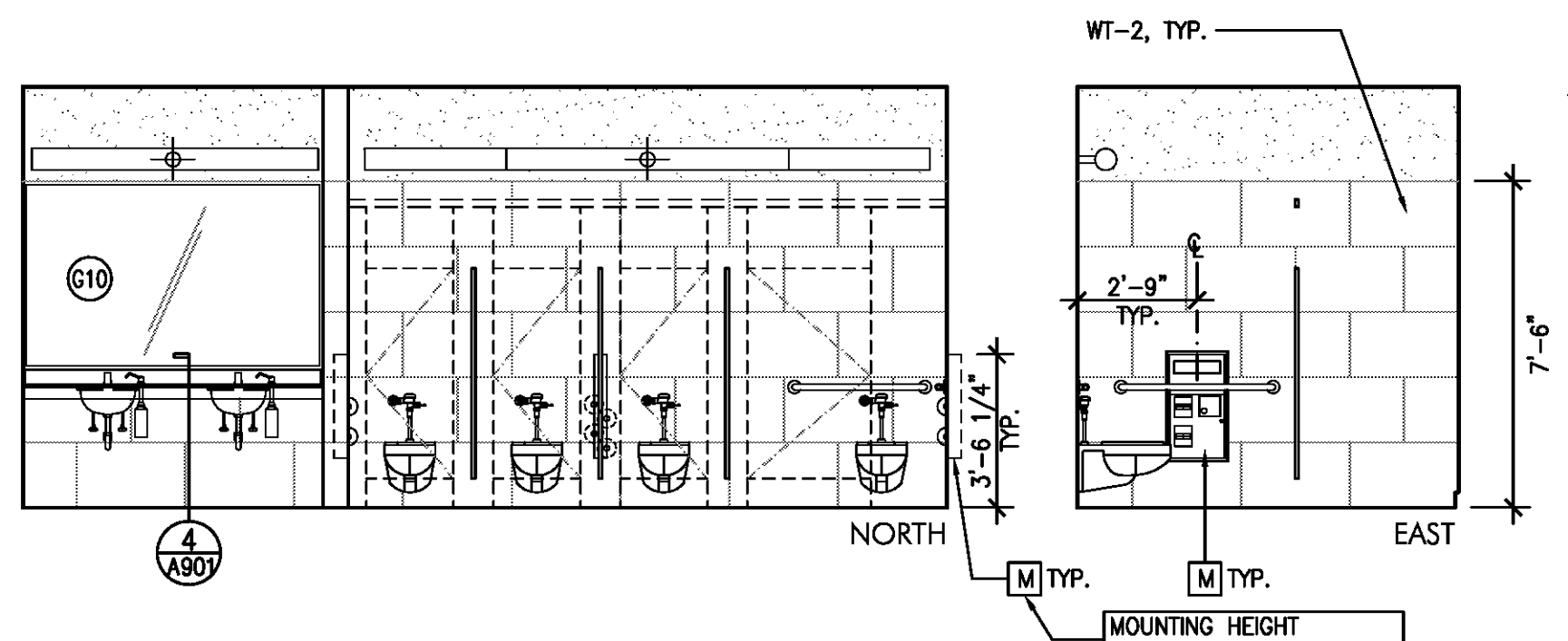
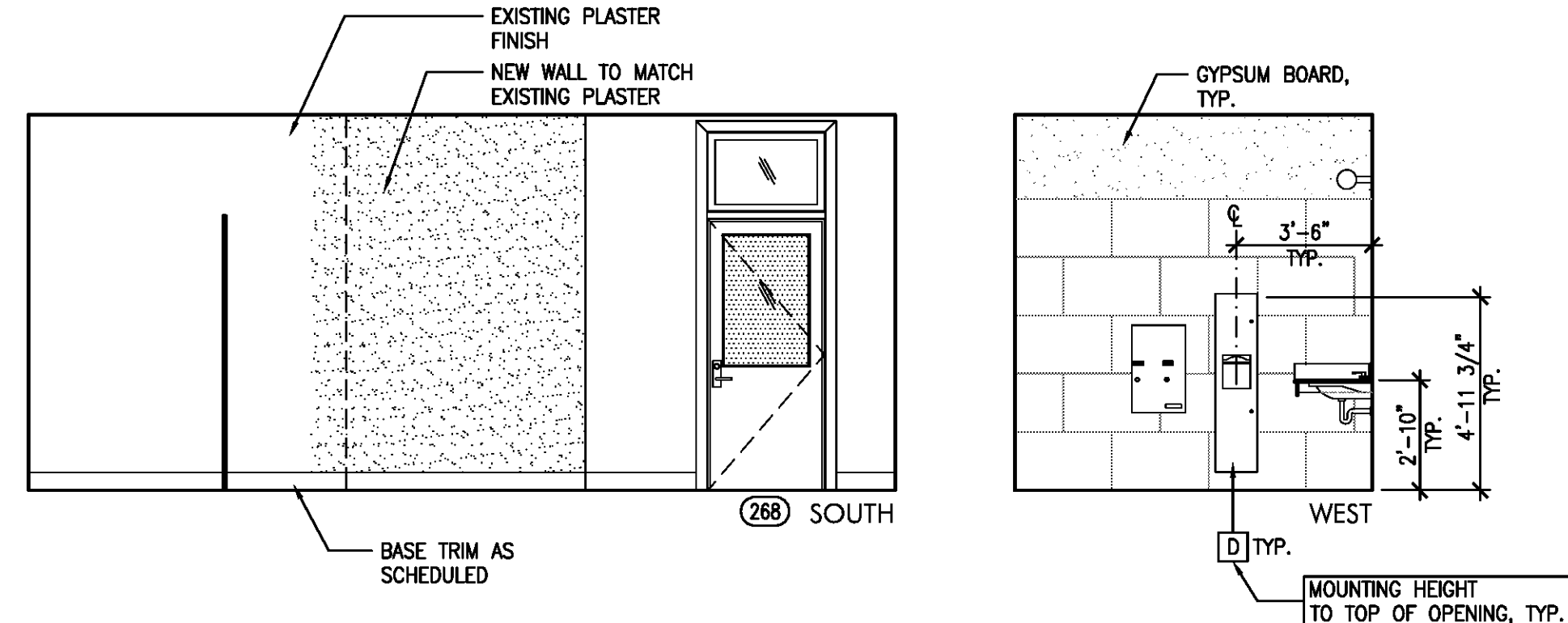
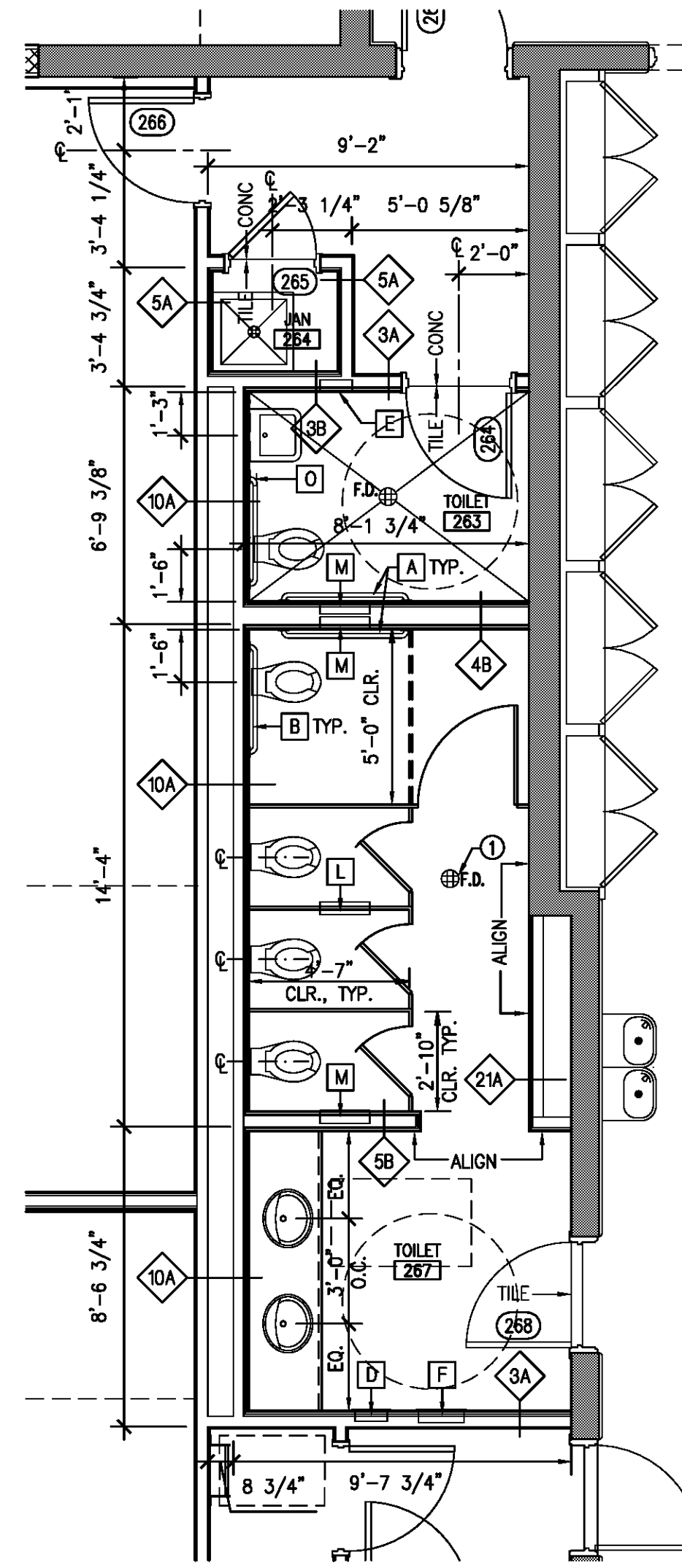
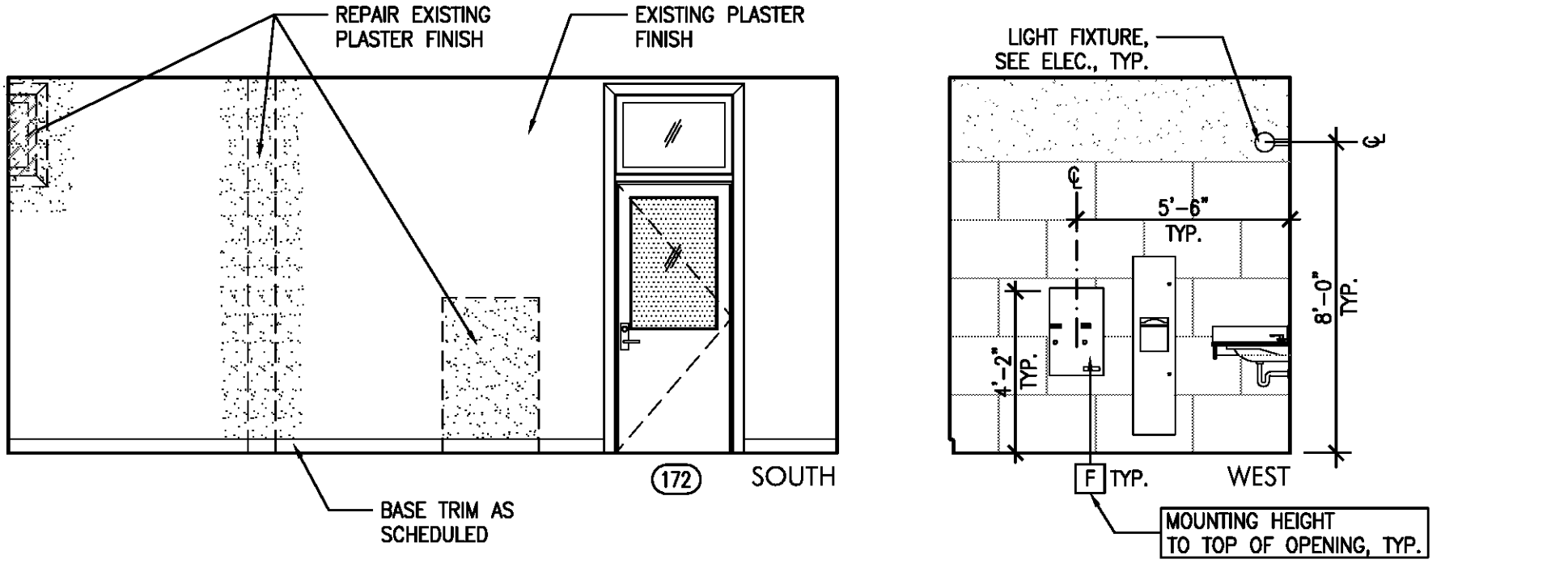


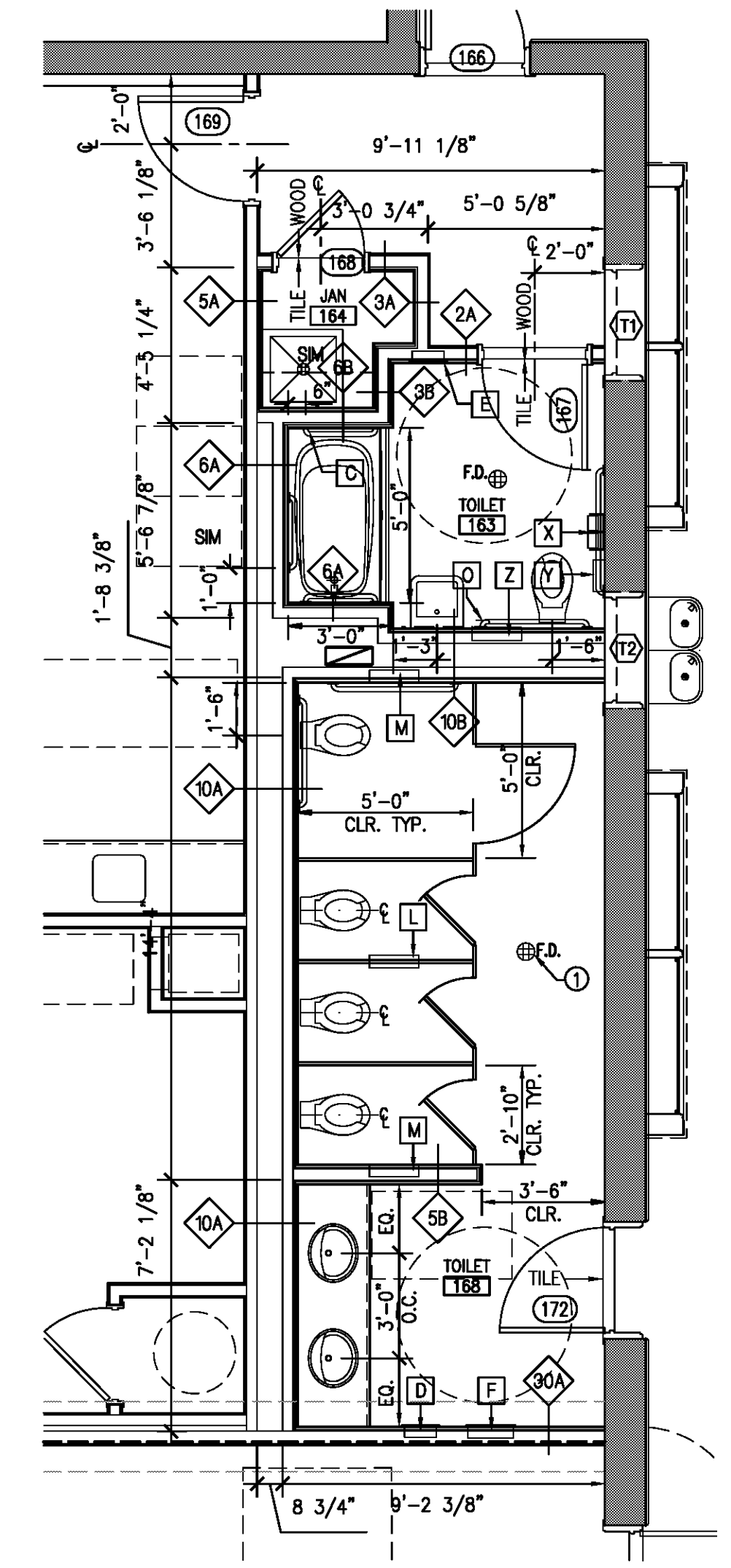
**3**  
A411  
**INTERIOR ELEVATIONS**  
TOILET 267  
Scale: 1/4" = 1'-0"



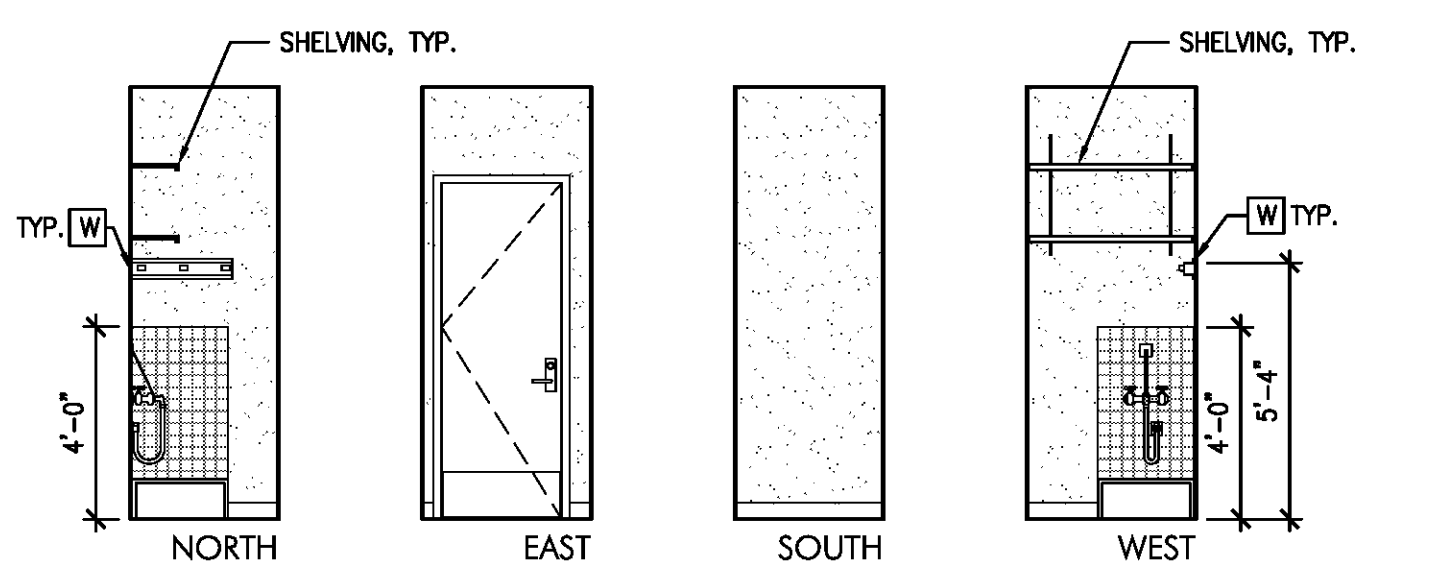
**4**  
A411  
**INTERIOR ELEVATIONS**  
TOILET 168  
Scale: 1/4" = 1'-0"



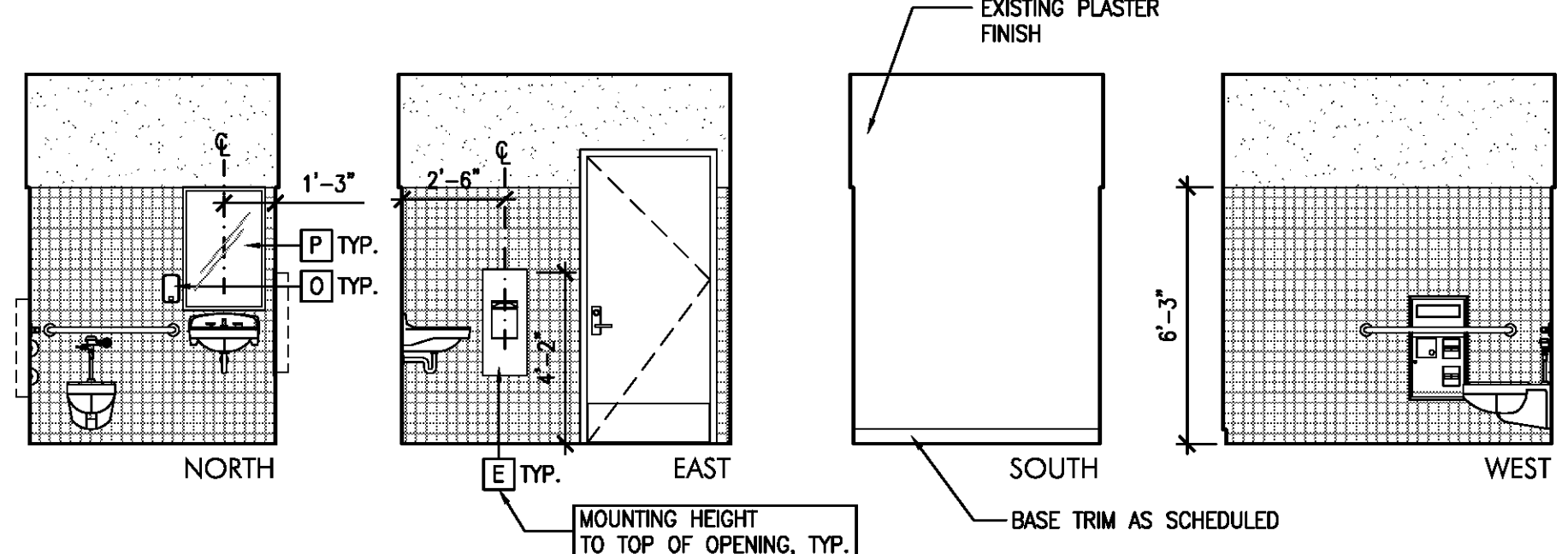
**2**  
A203|A411  
**ENLARGED FLOOR PLAN**  
TOILET 267  
Scale: 1/4" = 1'-0"



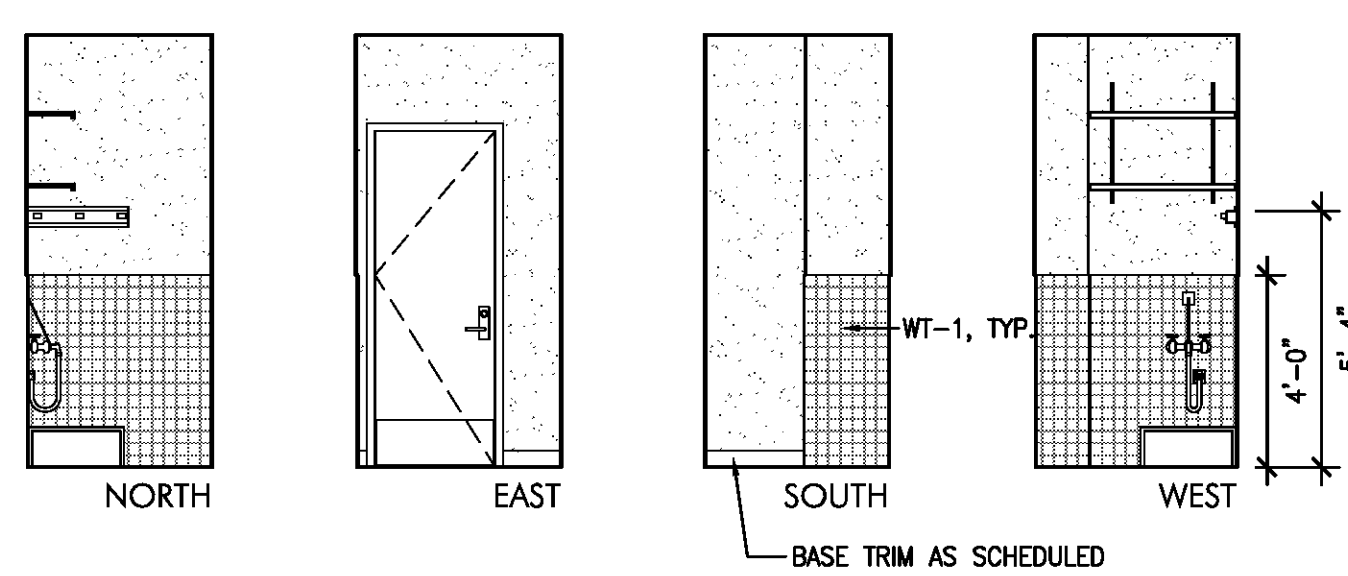
**1**  
A203|A411  
**ENLARGED FLOOR PLAN**  
TOILET 168  
Scale: 1/4" = 1'-0"



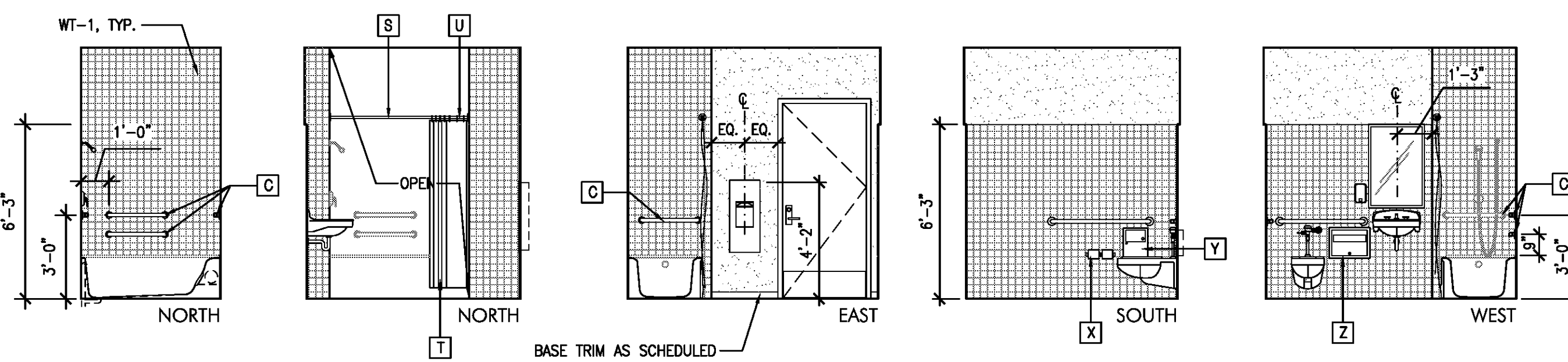
**5**  
A411  
**INTERIOR ELEVATIONS**  
JANITOR 264  
Scale: 1/4" = 1'-0"



**6**  
A411  
**INTERIOR ELEVATIONS**  
TOILET 263  
Scale: 1/4" = 1'-0"



**7**  
A411  
**INTERIOR ELEVATIONS**  
JANITOR 164  
Scale: 1/4" = 1'-0"



**8**  
A411  
**INTERIOR ELEVATIONS**  
TOILET/SHOWER 163  
Scale: 1/4" = 1'-0"

**SCHEDULE OF ACCESSORIES**

<b>A</b> GRAB BAR- 42" L	<b>N</b> LAVATORY-MOUNTED SOAP DISPENSER
<b>B</b> GRAB BAR- 36" L	<b>O</b> SURFACE-MOUNTED SOAP DISPENSER
<b>C</b> GRAB BAR- 24" L	<b>P</b> UNIT MIRROR- 24"W x 36"H
<b>D</b> RECESSED TOWEL DISPENSER AND WASTE RECEPTACLE	<b>Q</b> NOT USED
<b>E</b> RECESSED TOWEL DISPENSER	<b>R</b> NOT USED
<b>F</b> RECESSED SANITARY NAPKIN DISPENSER	<b>S</b> SHOWER CURTAIN ROD
<b>G</b> NOT USED	<b>T</b> SHOWER CURTAIN- 70"W x 72"H
<b>H</b> PARTITION MOUNTED TOILET-SEAT-COVER AND TOILET PAPER DISPENSER (ADA-COMPLIANT)	<b>U</b> SHOWER CURTAIN HOOK
<b>J</b> RECESSED TOILET-SEAT-COVER AND TOILET PAPER DISPENSER (ADA-COMPLIANT)	<b>V</b> SHOWER SEAT, FOLDING
<b>K</b> PARTITION MOUNTED TOILET-SEAT-COVER, TOILET PAPER DISPENSER AND SANITARY NAPKIN DISPOSAL	<b>W</b> MOP/BROOM HOLDER
<b>L</b> PARTITION MOUNTED TOILET-SEAT-COVER, TOILET PAPER DISPENSER AND SANITARY NAPKIN DISPOSAL (ADA-COMPLIANT)	<b>X</b> SURFACE MOUNTED DOUBLE ROLL TOILET PAPER DISPENSER
<b>M</b> RECESSED TOILET-SEAT-COVER, TOILET PAPER DISPENSER AND SANITARY NAPKIN DISPOSAL (ADA-COMPLIANT)	<b>Y</b> SURFACE MOUNTED SANITARY NAPKIN DISPOSAL
	<b>Z</b> RECESSED TOILET-SEAT-COVER DISPENSER

**ENLARGED PLAN DIMENSION NOTES**

