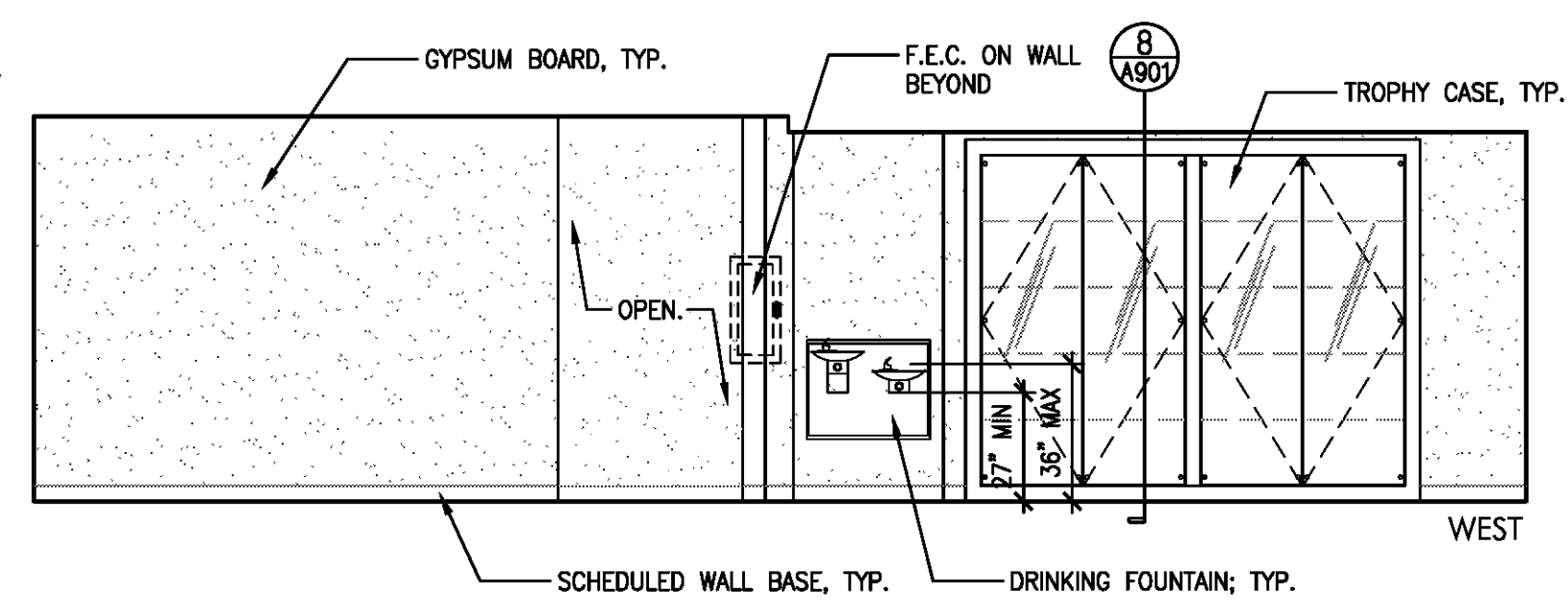
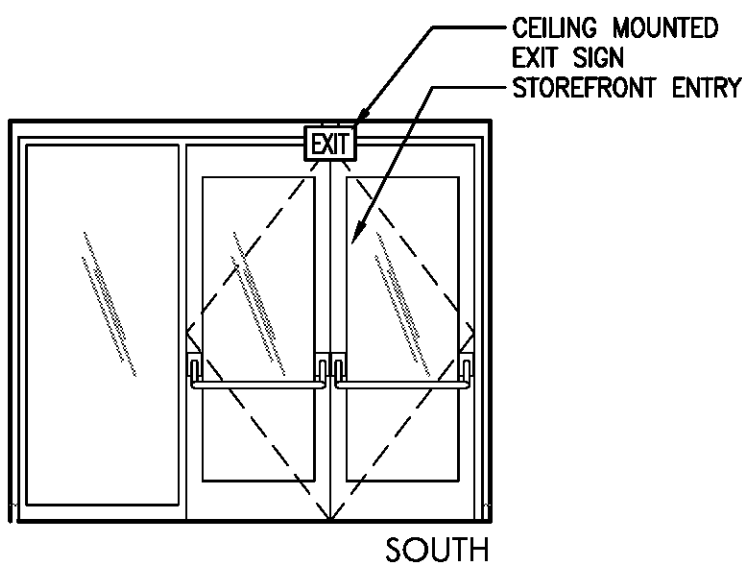
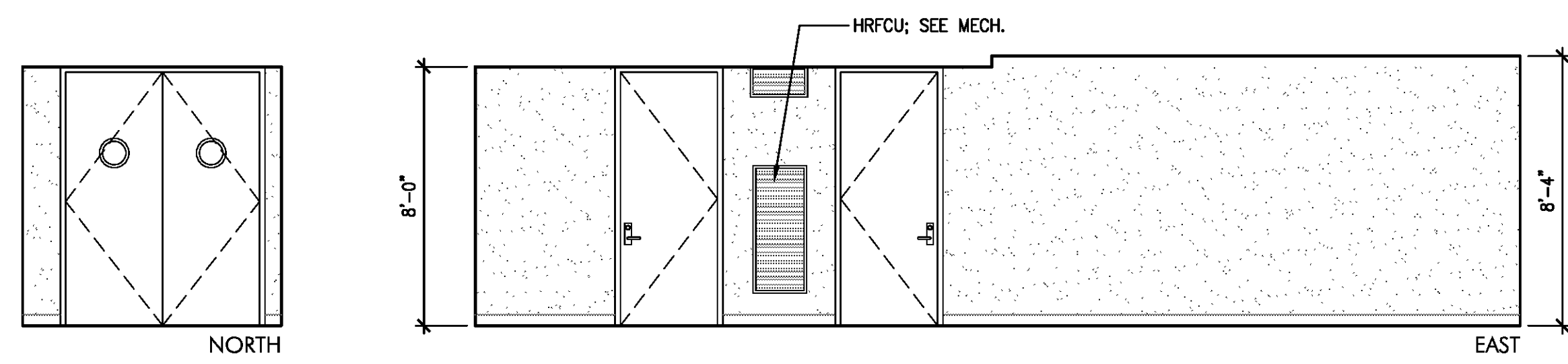
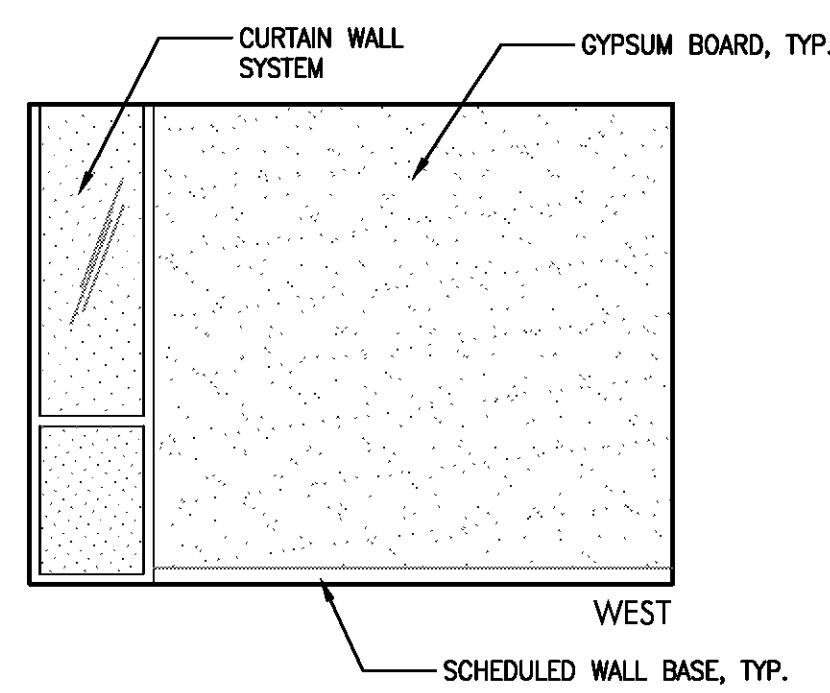
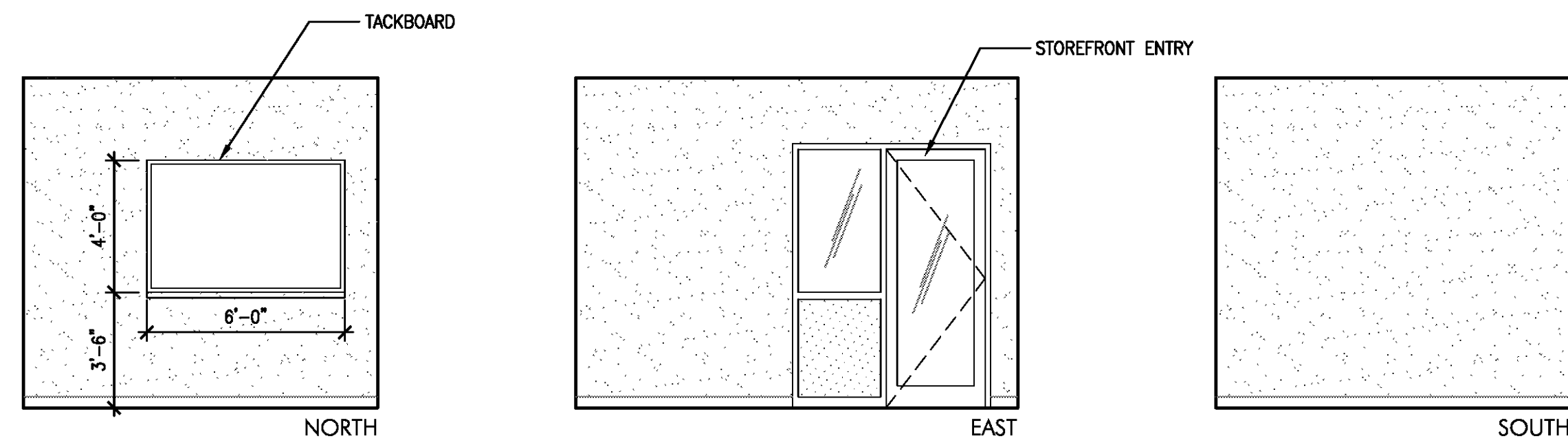


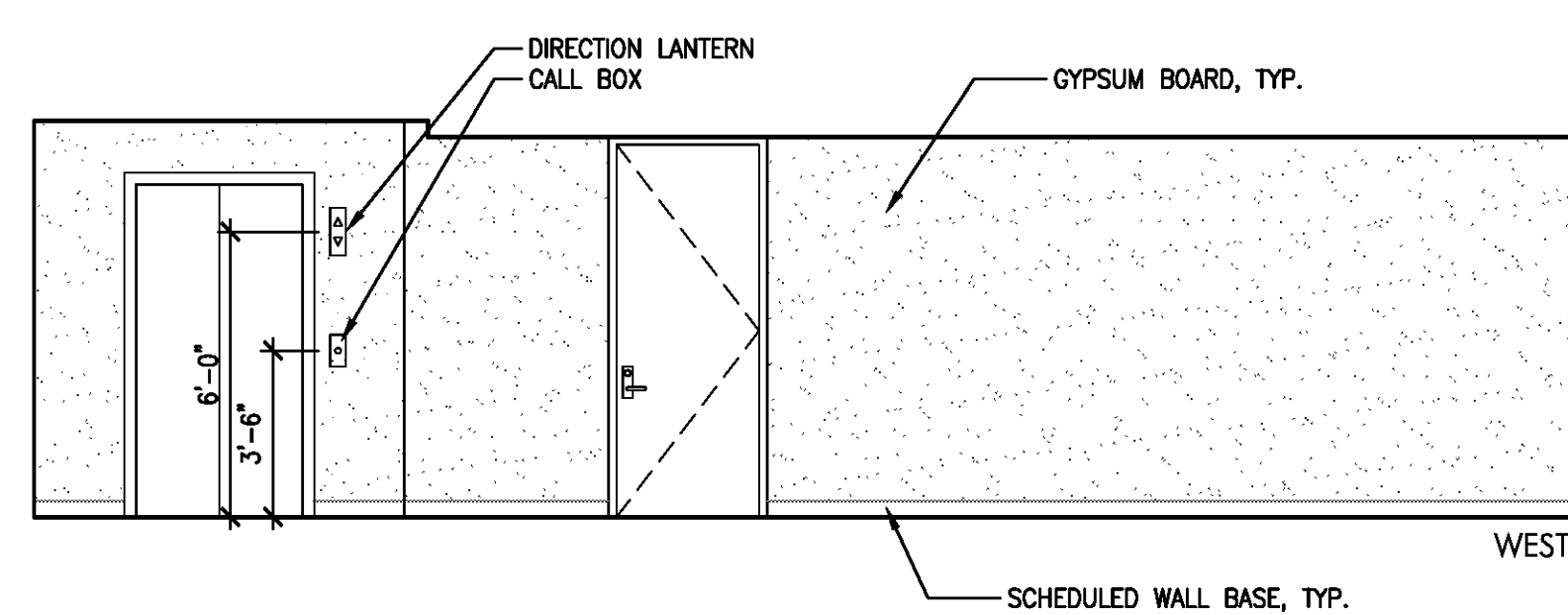
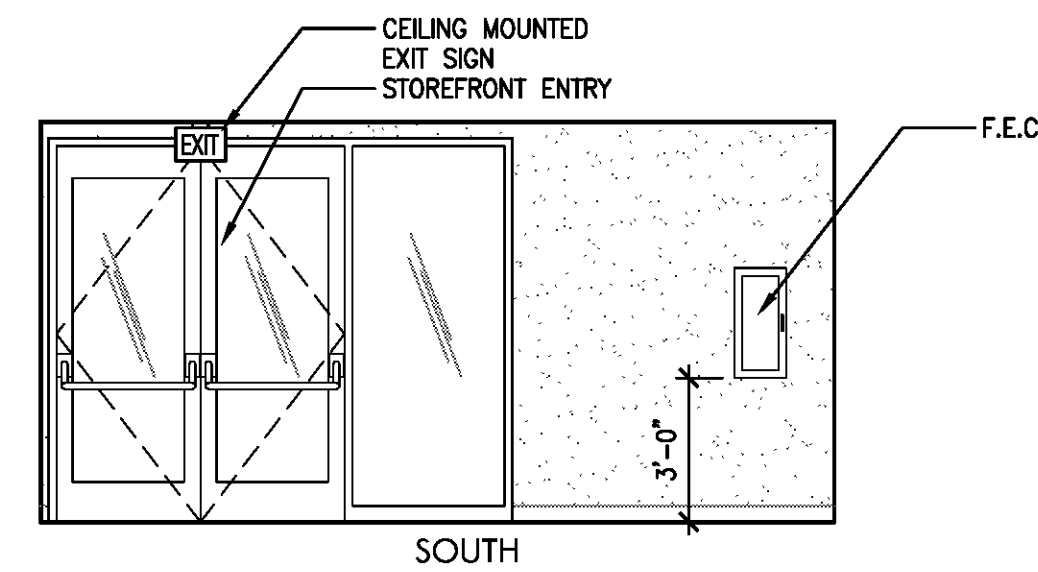
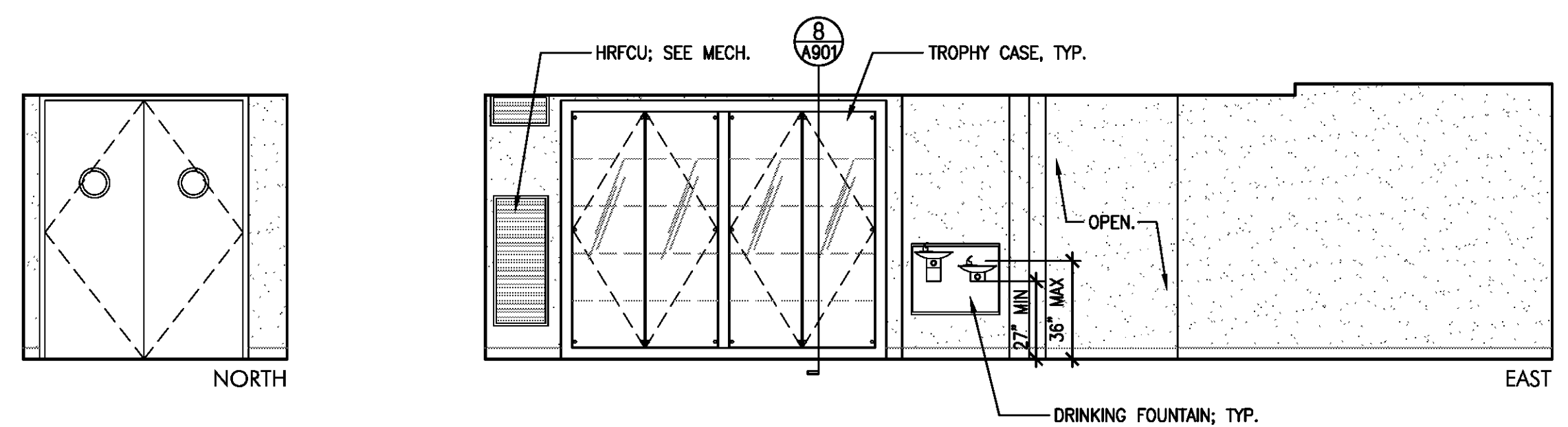
4 COACHES 107  
A201 | A503 1/4" = 1' - 0"



3 CORRIDOR 113  
A201 | A503 1/4" = 1' - 0"



2 ATHLETIC DIRECTOR 108  
A201 | A503 1/4" = 1' - 0"



1 CORRIDOR 101  
A201 | A503 1/4" = 1' - 0"



Copyright © 2009 by Waggoner & Ball Architects, APC. All rights reserved. No part of the work covered by the copyright herein may be reproduced or used in any form or by any means - graphic, electronic or mechanical, including photocopying, recording, taping or information storage and retrieval systems - without written permission of the copyright holder.