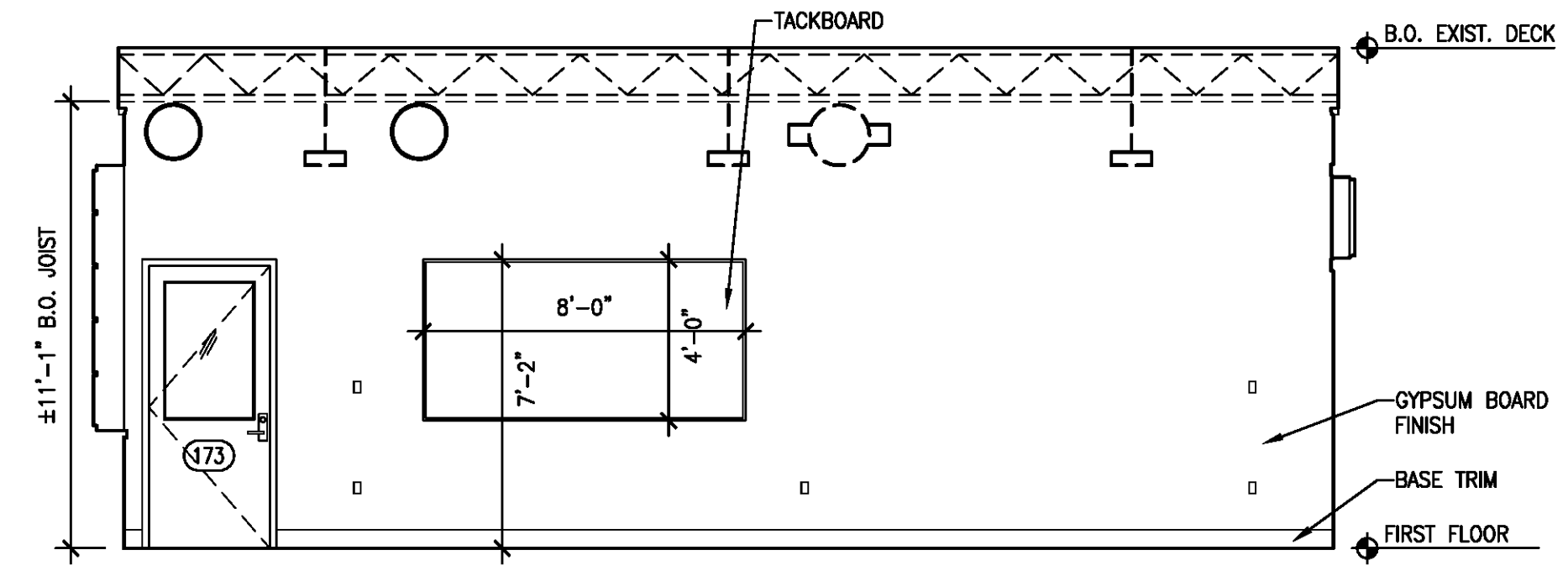
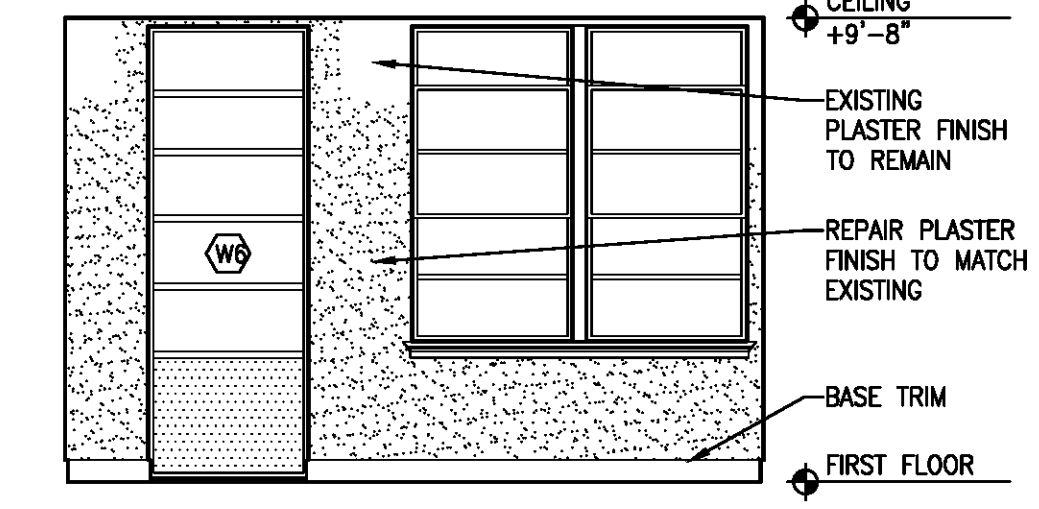


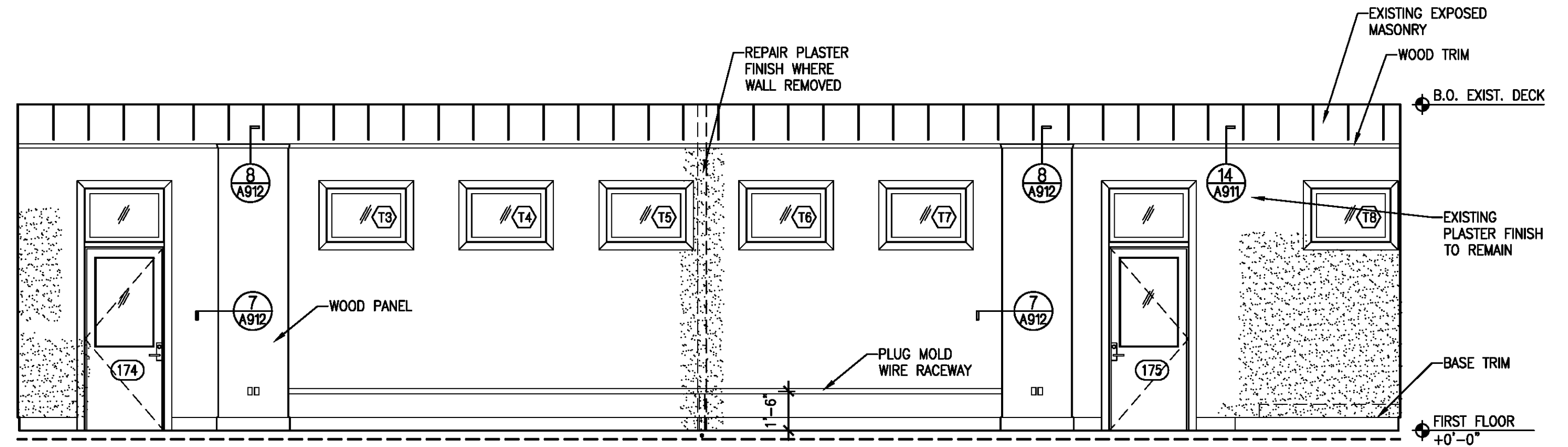
1 WEIGHT ROOM 168 - North Elevation
A203 | A513 Scale: 1/4" = 1'-0"



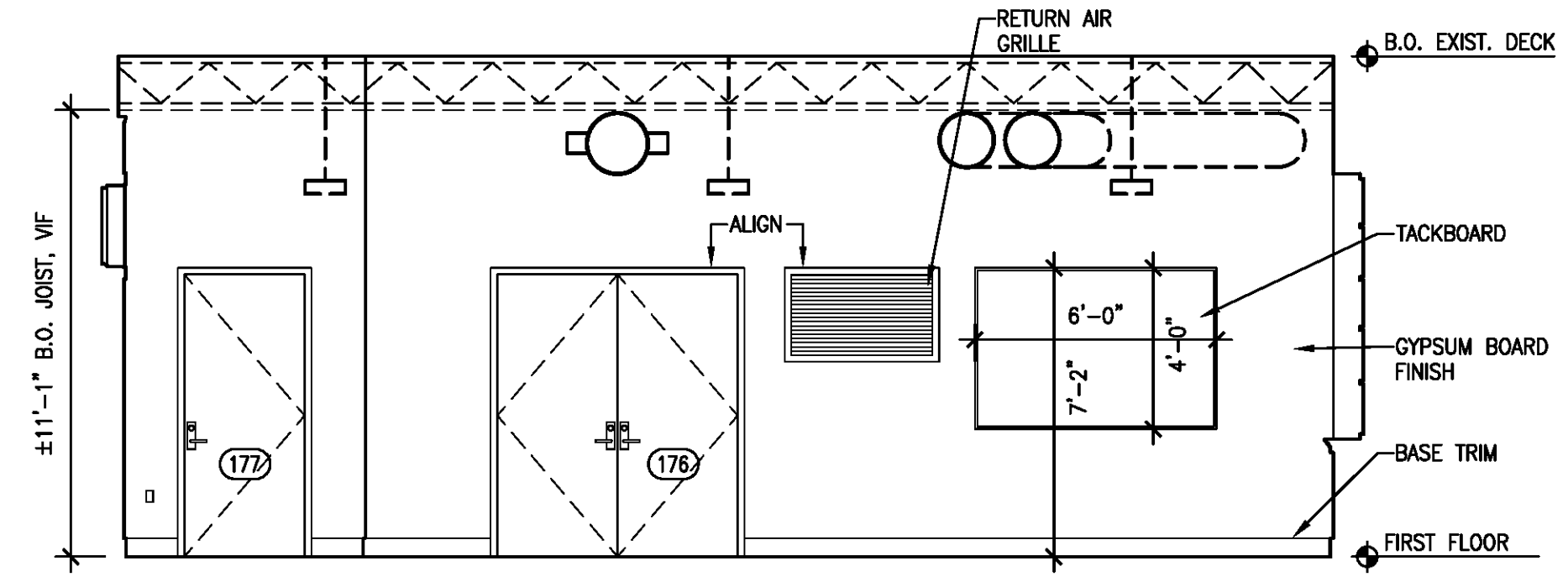
2 WEIGHT ROOM 168 - East Elevation
A203 | A513 Scale: 1/4" = 1'-0"



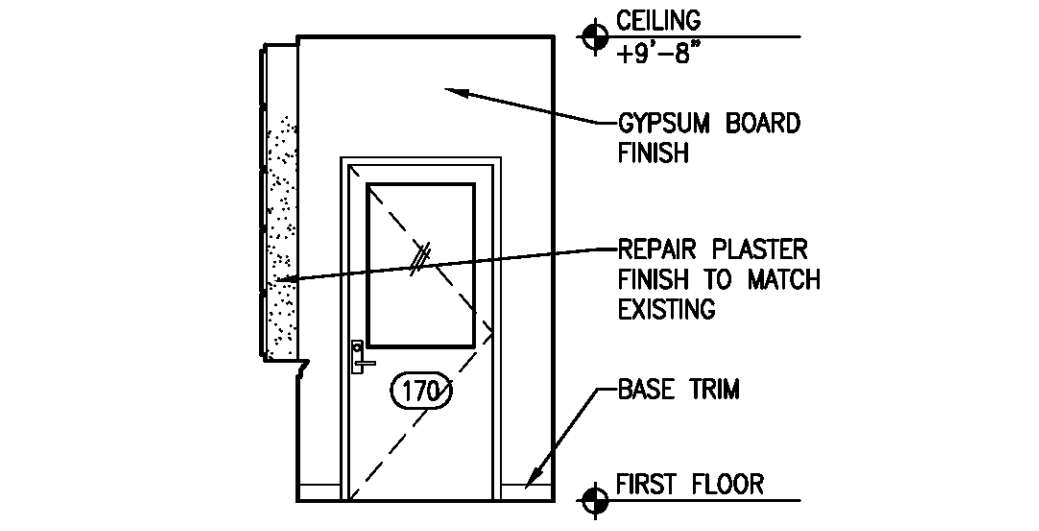
5 CORR. 166 - North Elev.
A412 | A513 Scale: 1/4" = 1'-0"



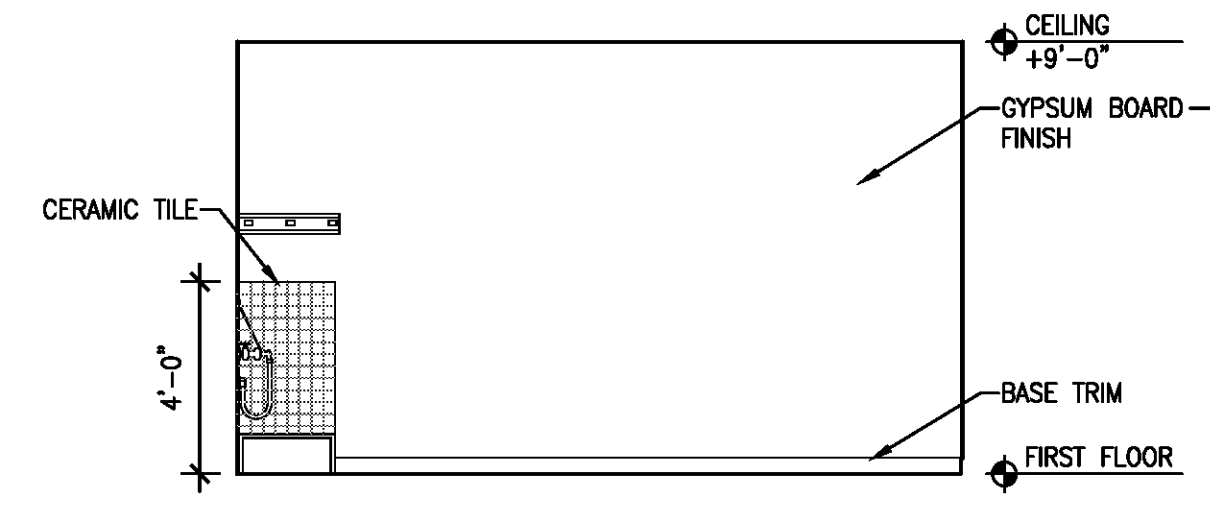
3 WEIGHT ROOM 168 - South Elevation
A203 | A513 Scale: 1/4" = 1'-0"



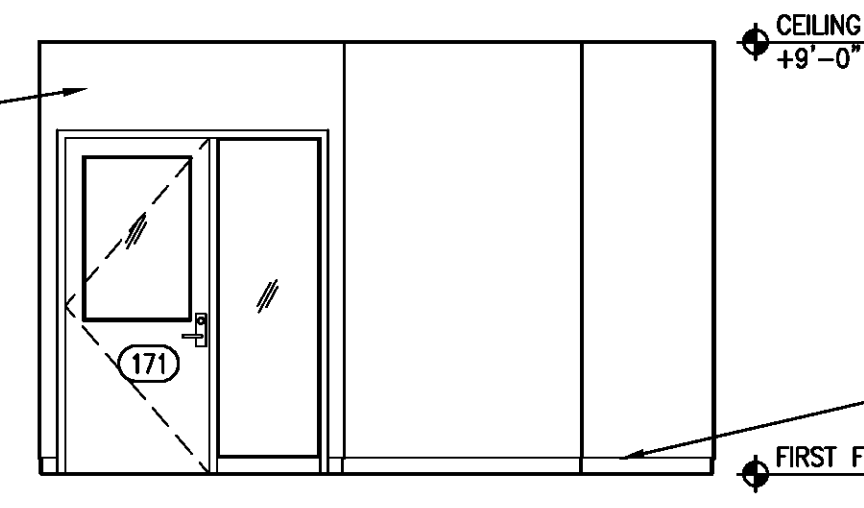
4 WEIGHT ROOM 168 - West Elevation
A203 | A513 Scale: 1/4" = 1'-0"



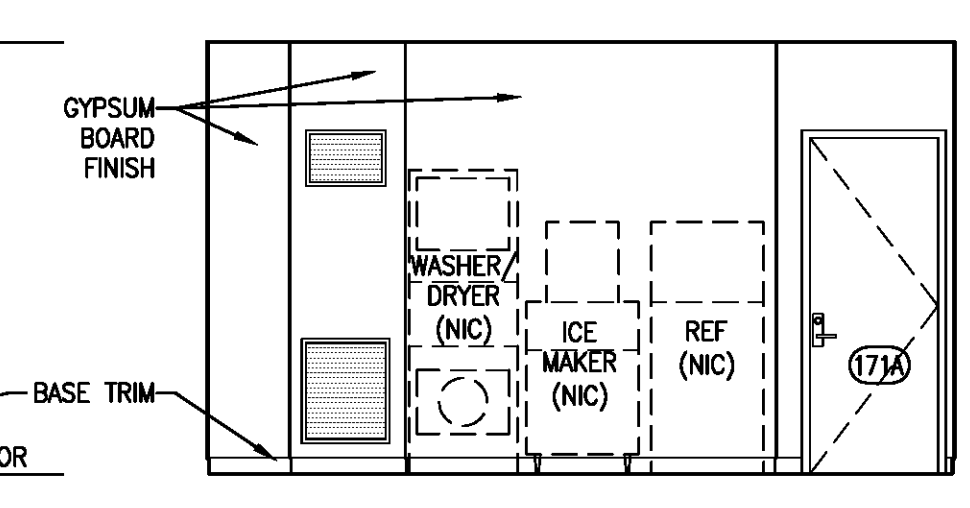
6 CORR. 166 - East Elev.
A412 | A513 Scale: 1/4" = 1'-0"



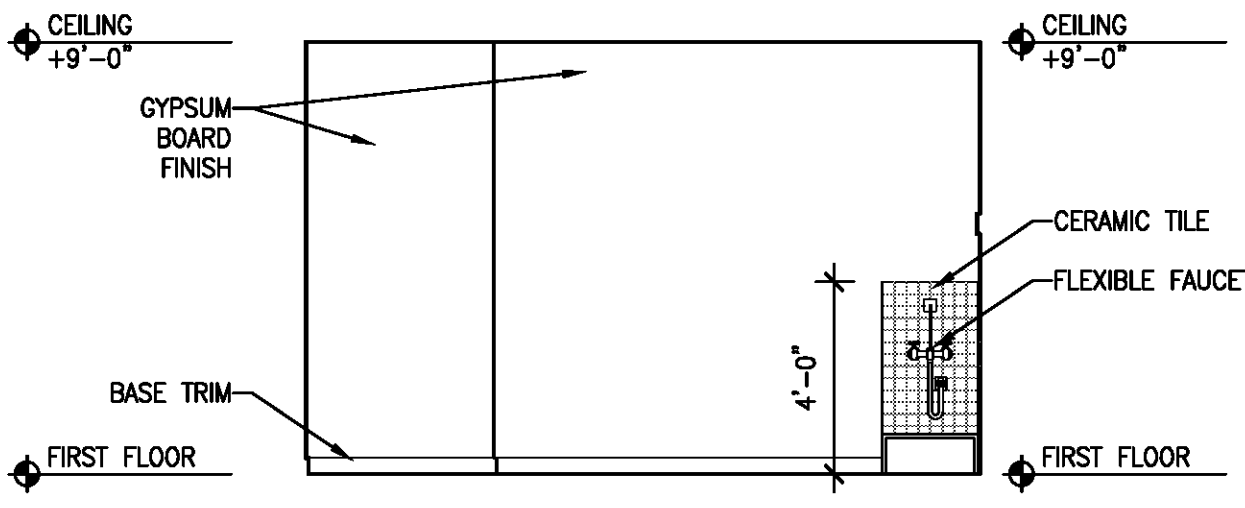
9 WET ROOM 166 - North Elev.
A203 | A513 Scale: 1/4" = 1'-0"



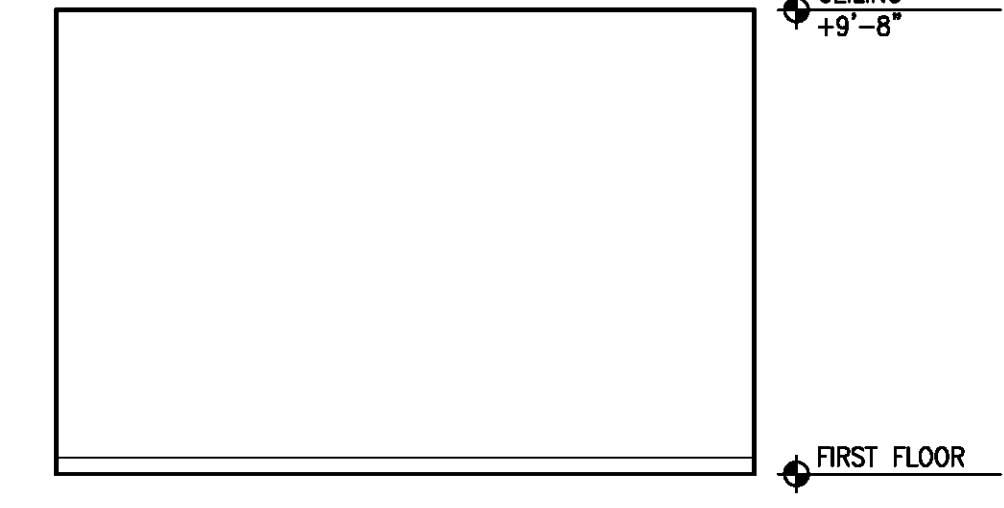
10 WET ROOM 166 - East Elev.
A203 | A513 Scale: 1/4" = 1'-0"



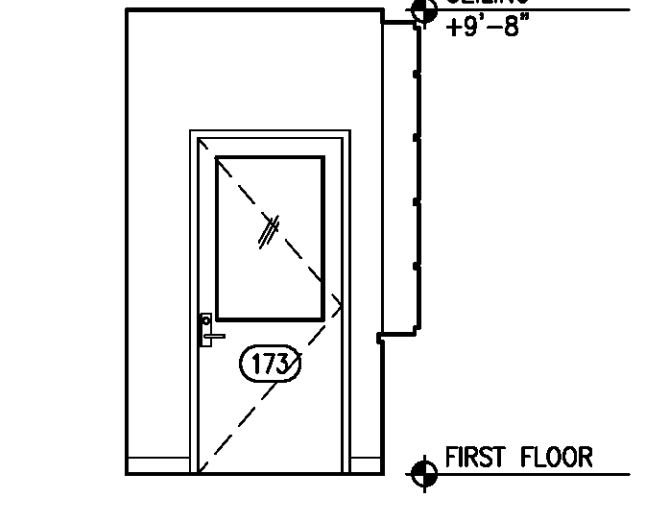
11 WET ROOM 166 - South Elev.
A203 | A513 Scale: 1/4" = 1'-0"



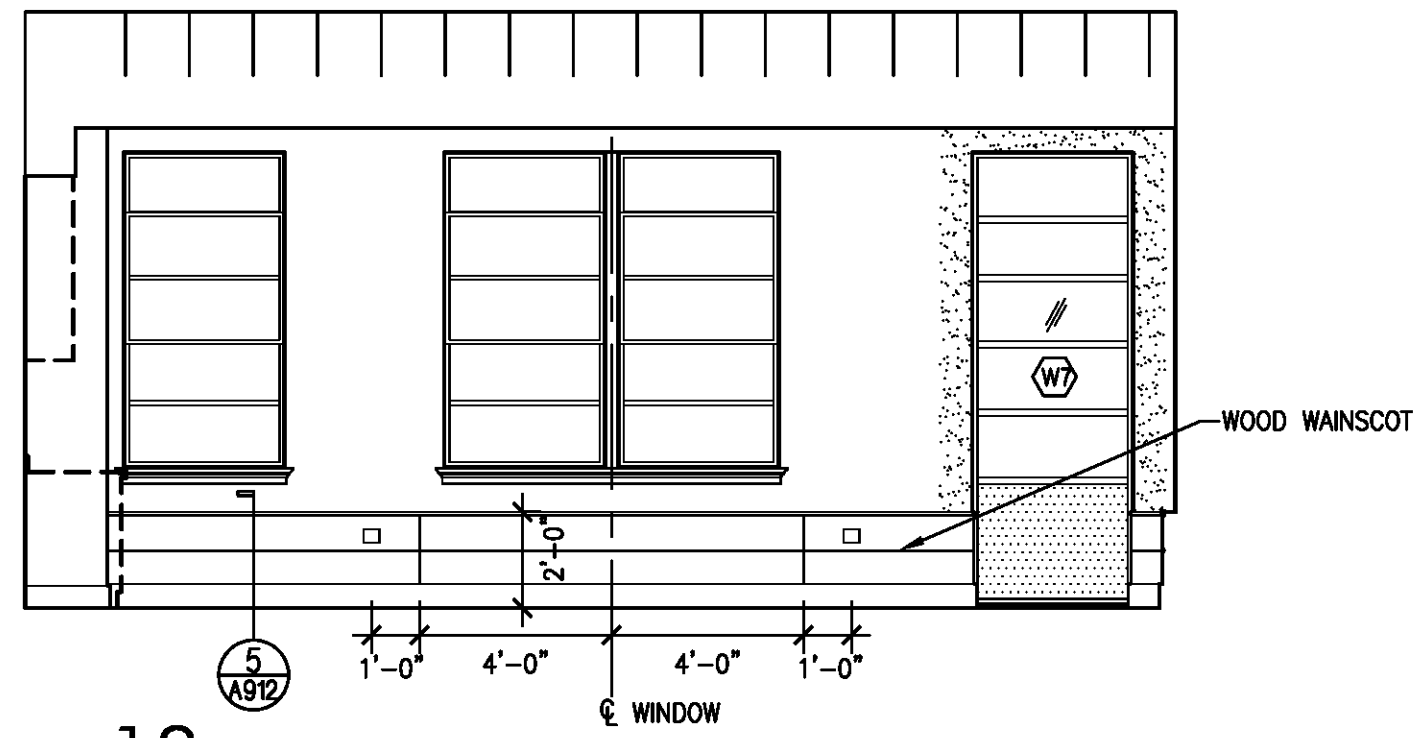
12 WET ROOM 166 - West Elev.
A203 | A513 Scale: 1/4" = 1'-0"



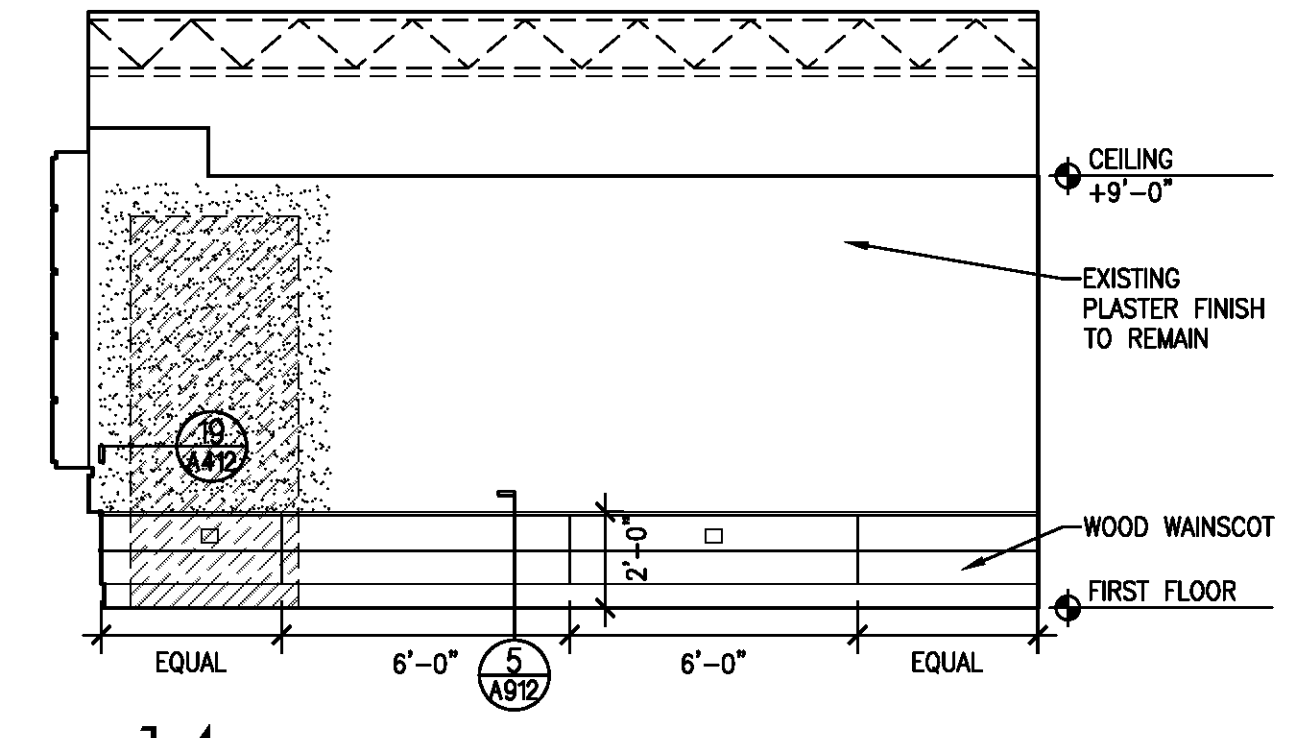
7 CORR. 166 - South Elev.
A412 | A513 Scale: 1/4" = 1'-0"



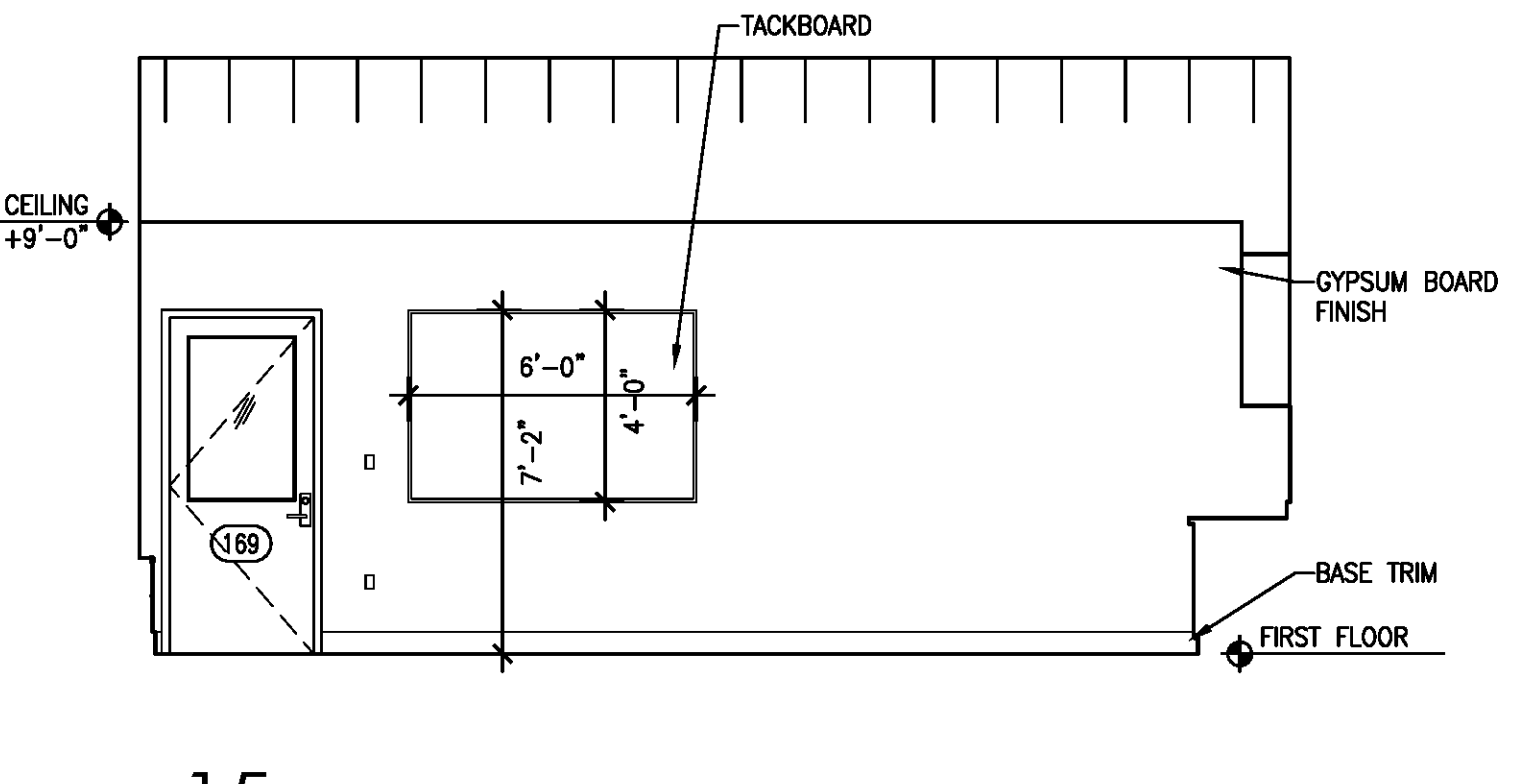
8 CORR. 166 - West Elev.
A412 | A513 Scale: 1/4" = 1'-0"



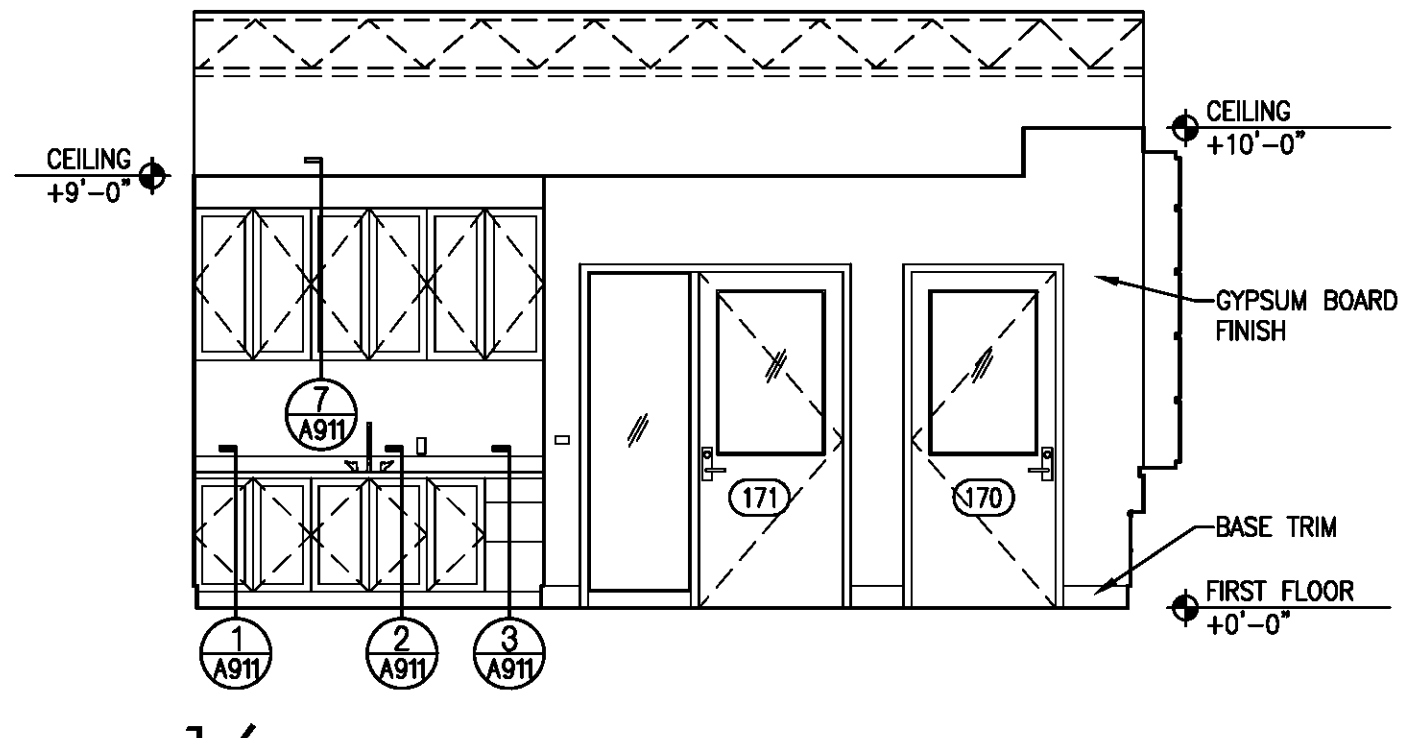
13 TRAINING ROOM 164 - North Elevation
A203 | A513 Scale: 1/4" = 1'-0"



14 TRAINING ROOM 164 - East Elevation
A203 | A513 Scale: 1/4" = 1'-0"



15 TRAINING ROOM 164 - South Elevation
A203 | A513 Scale: 1/4" = 1'-0"



16 TRAINING ROOM 164 - West Elevation
A203 | A513 Scale: 1/4" = 1'-0"

Copyright © 2009 by Waggoner & Ball Architects, APC. All rights reserved. No part of this work covered by the copyright herein may be reproduced or used in any form or by any means - graphic, electronic or mechanical, including photocopying, recording, taping or information storage and retrieval systems - without written permission of the copyright holder.

SHEET TITLE:
INTERIOR ELEVATIONS
ST. JOSEPH'S HALL

DATE: **JAN 08, 2010**
DRAWN BY:
REVISION:

