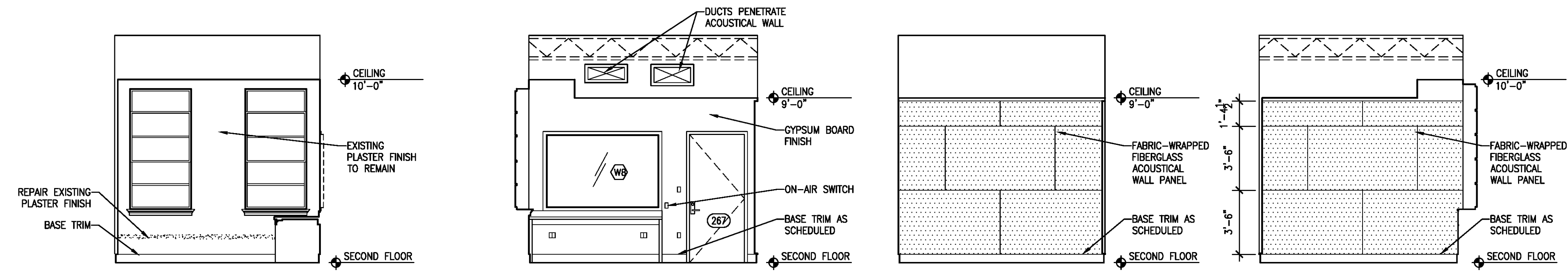
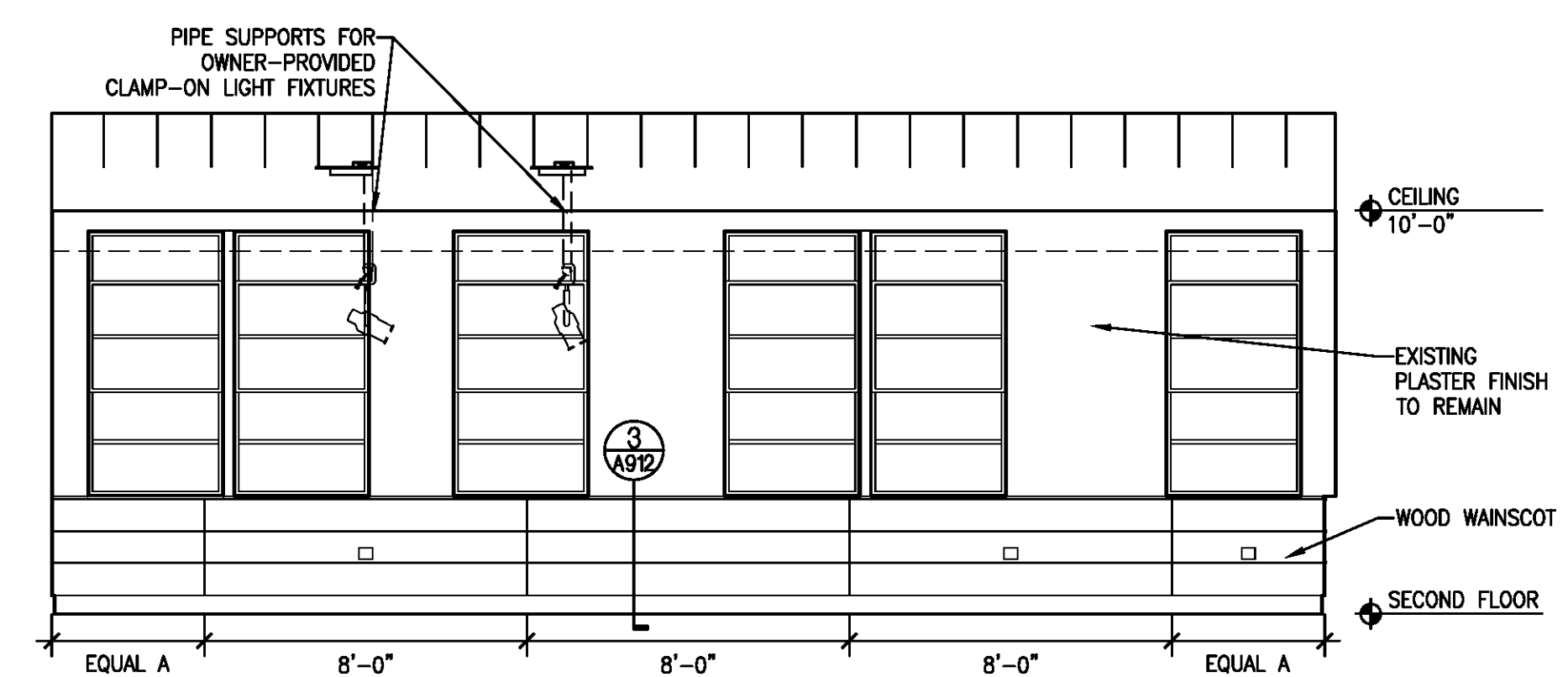


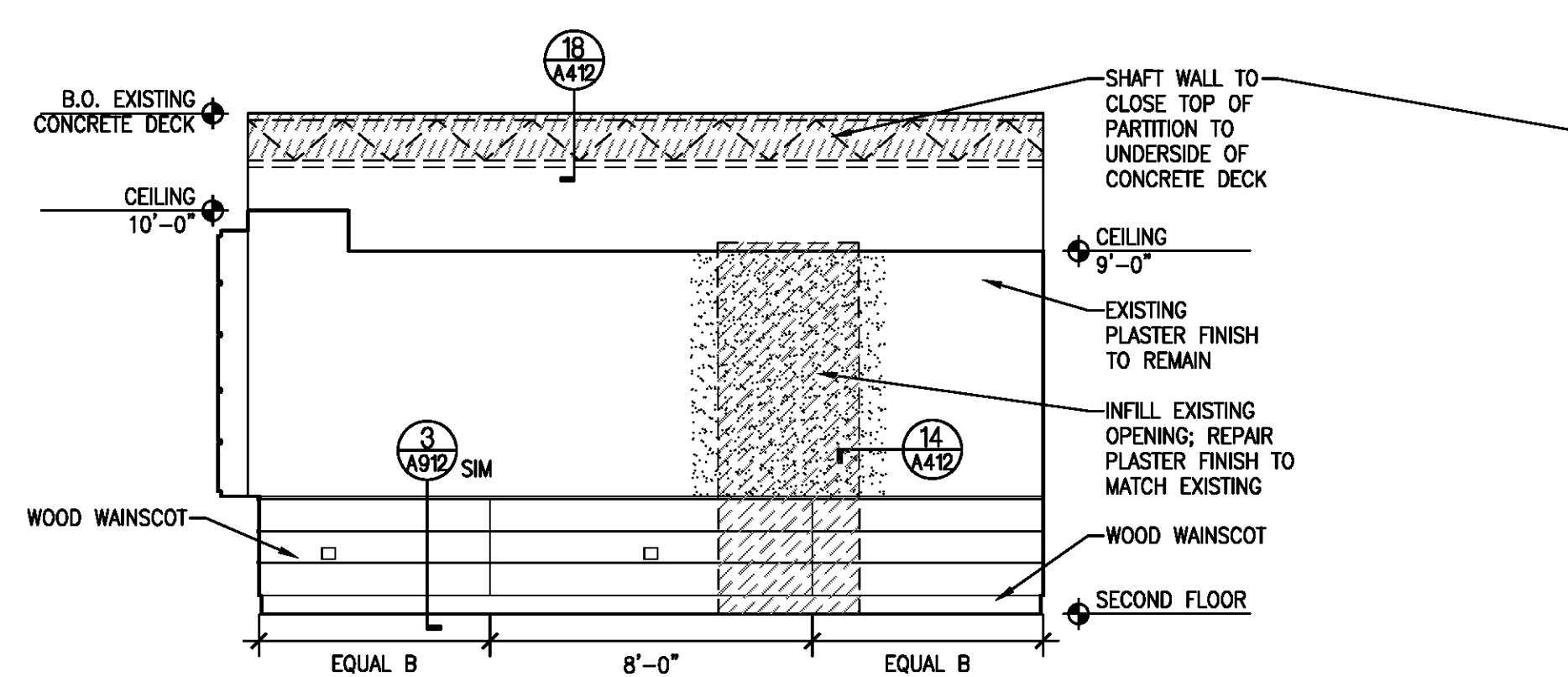
Copyright © 2009 by Waggoner & Ball Architects, APC.  
 All rights reserved. No part of the work covered by the copyright herein may be reproduced or used in any form or by any means - graphic, electronic or mechanical, including photocopying, recording, taping or information storage and retrieval systems - without written permission of the copyright holder.



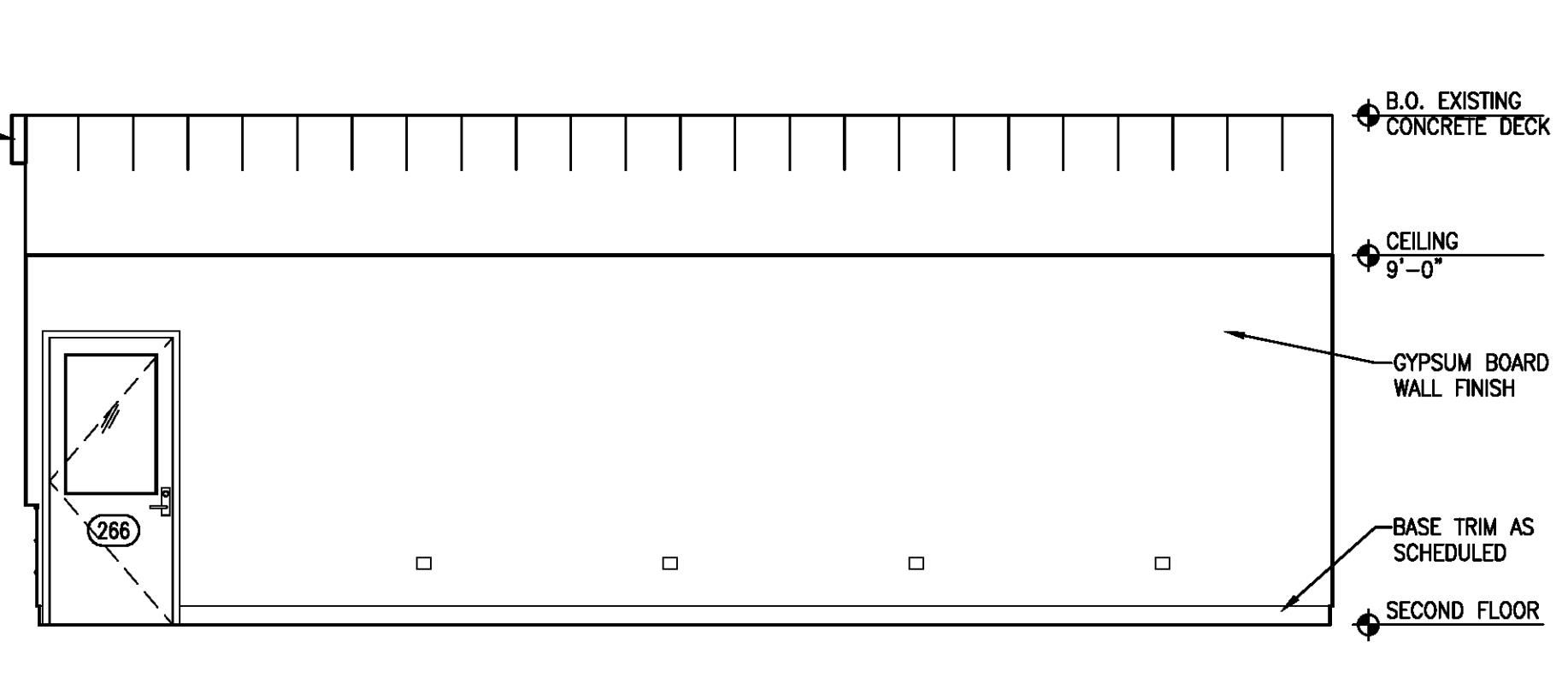
1 PRODUCTION 266 - North Elev. A412 | A517 Scale: 1/4" = 1'-0"  
 2 PRODUCTION 266 - East Elev. A412 | A517 Scale: 1/4" = 1'-0"  
 3 PRODUCTION 266 - South Elev. A412 | A517 Scale: 1/4" = 1'-0"  
 4 PRODUCTION 266 - West Elev. A412 | A517 Scale: 1/4" = 1'-0"



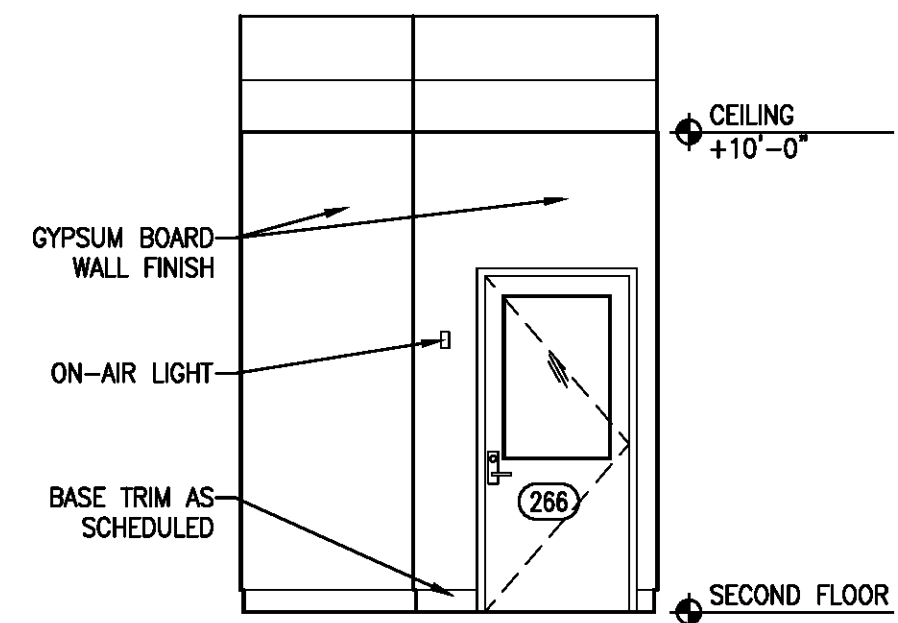
5 GRAPHICS ROOM 265 - North Elevation  
 A203 | A517 Scale: 1/4" = 1'-0"



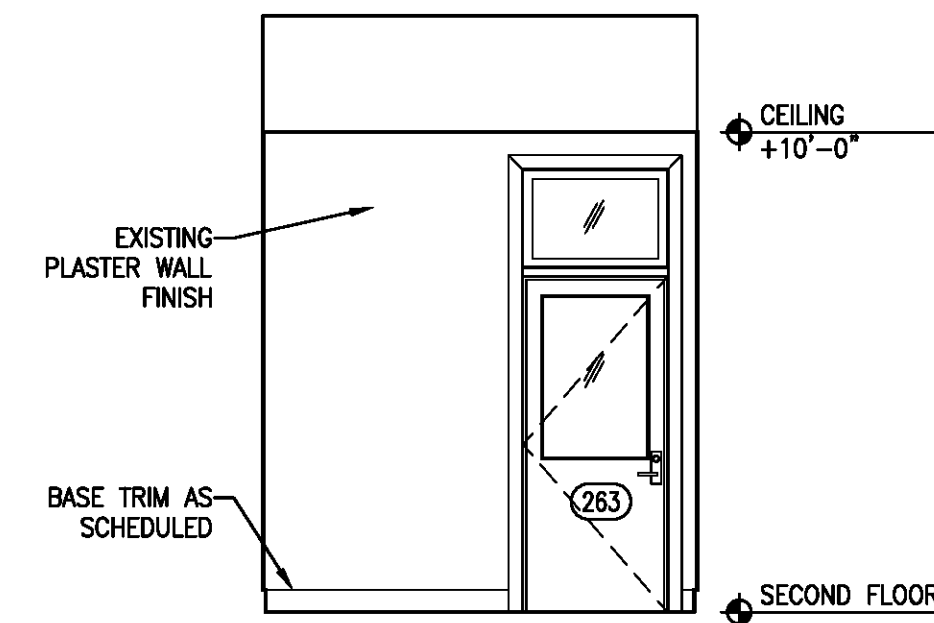
6 GRAPHICS ROOM 265 - East Elev.  
 A203 | A517 Scale: 1/4" = 1'-0"



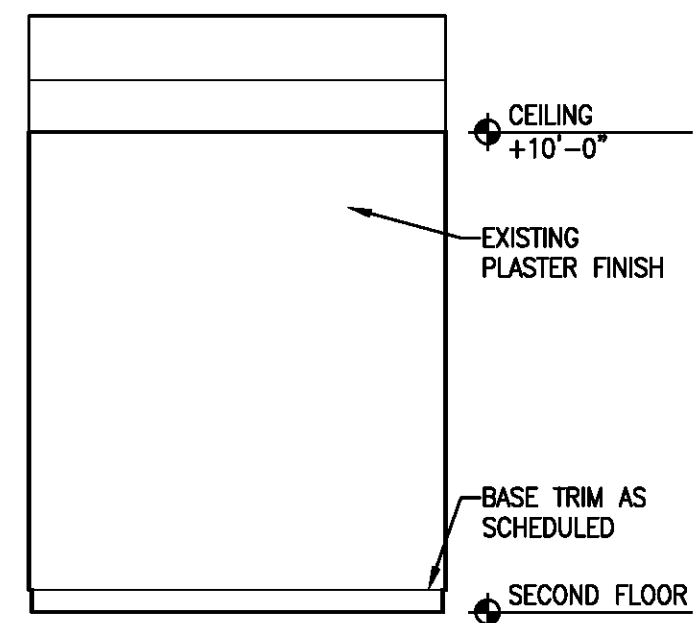
7 GRAPHICS ROOM 265 - North Elevation  
 A203 | A517 Scale: 1/4" = 1'-0"



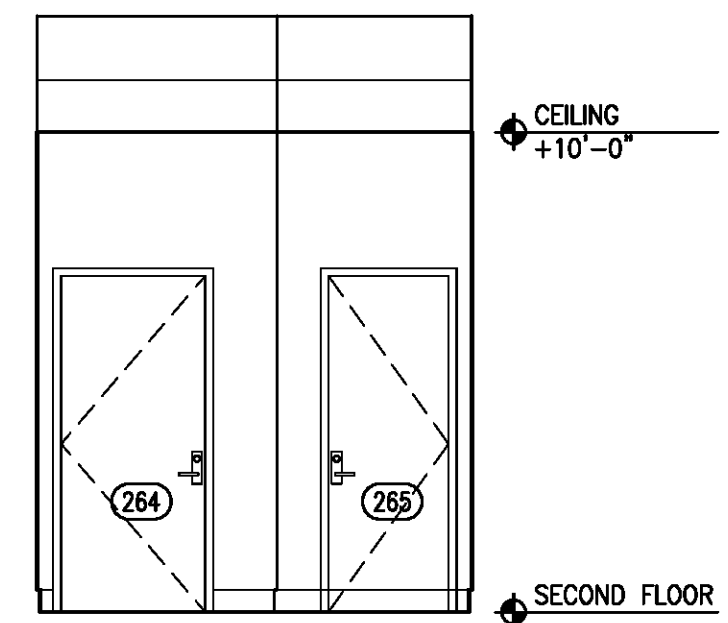
9 VEST. 262 - North Elev.  
 A203 | A517 Scale: 1/4" = 1'-0"



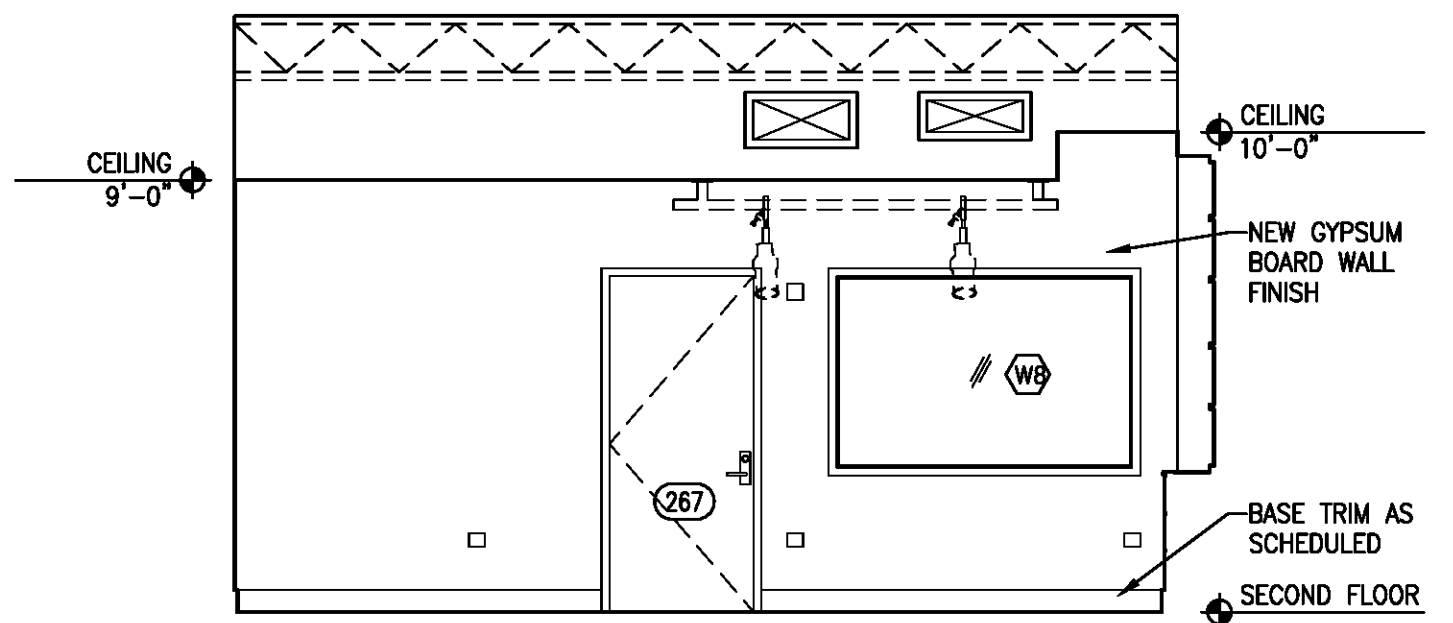
10 VEST. 262 - East Elev.  
 A203 | A517 Scale: 1/4" = 1'-0"



11 VEST. 262 - South Elev.  
 A203 | A517 Scale: 1/4" = 1'-0"



12 VEST. 262 - West Elev.  
 A203 | A517 Scale: 1/4" = 1'-0"



8 GRAPHICS ROOM 265 - North Elev.  
 A203 | A517 Scale: 1/4" = 1'-0"

SHEET TITLE:  
 INTERIOR ELEVATIONS  
 ST. JOSEPH'S HALL

DATE: JAN 08, 2010  
 DRAWN BY:  
 REVISION:

