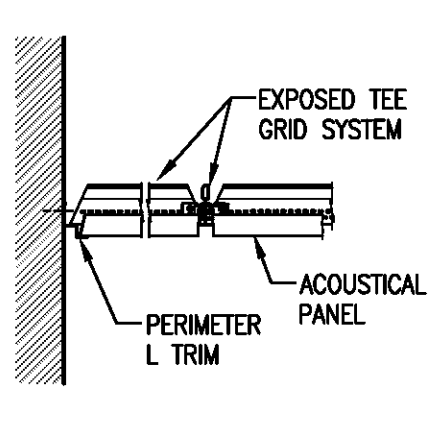
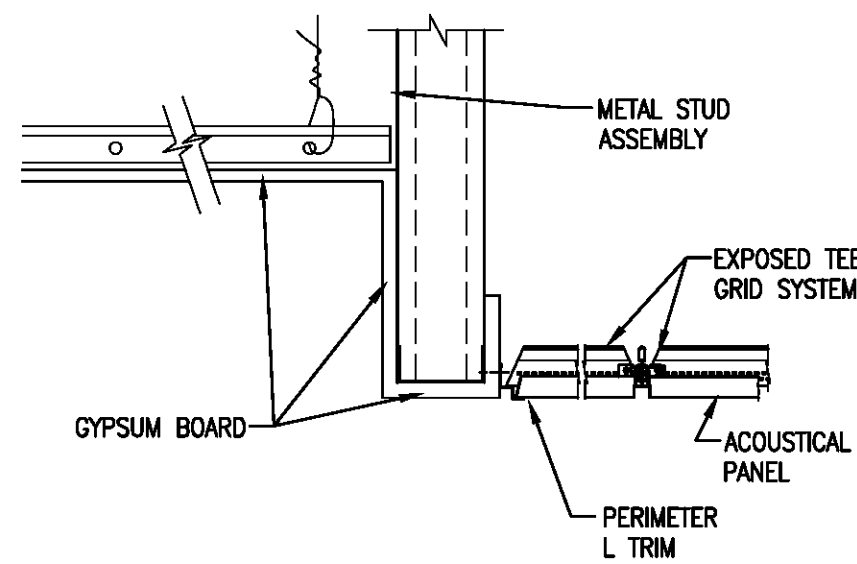


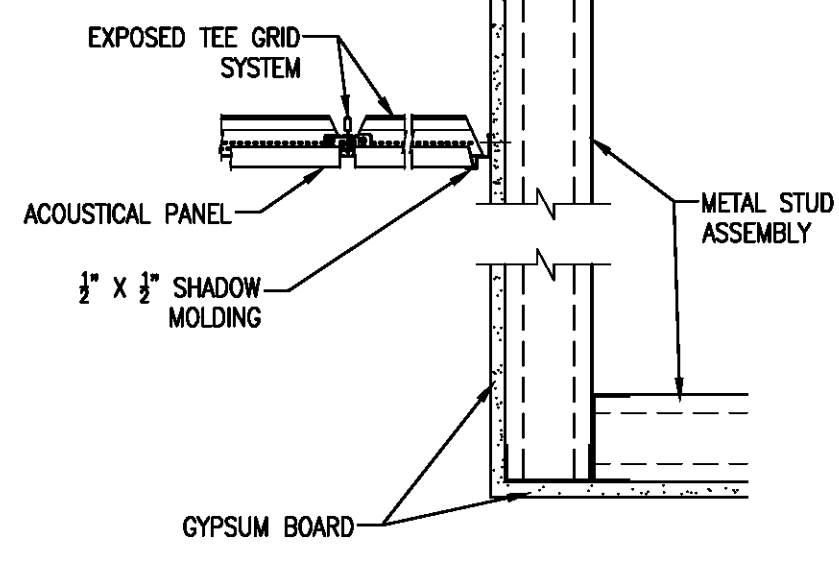
7 CEILING DETAIL
A603|A603 Scale: 1 1/2" = 1'-0"



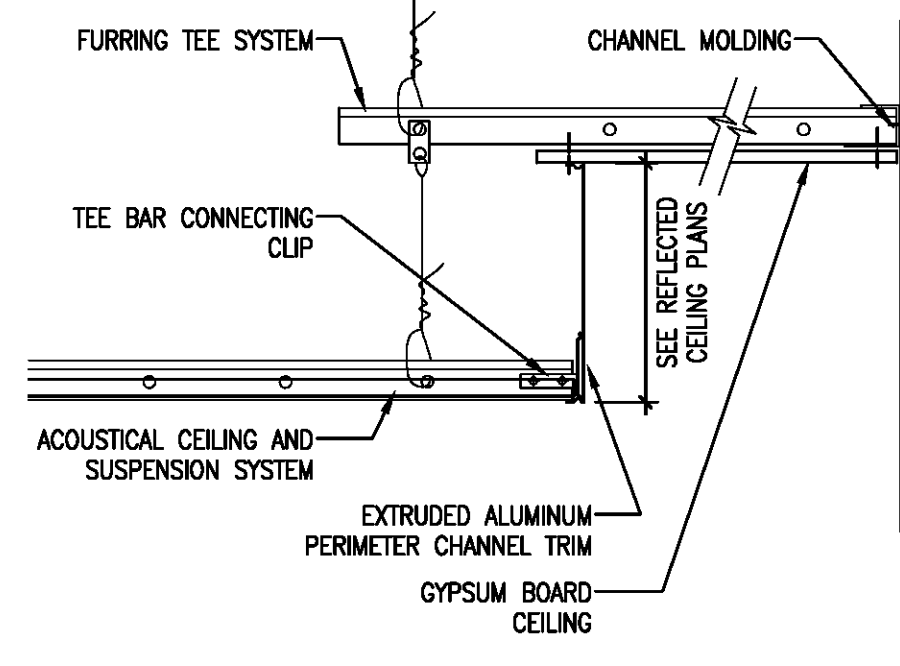
6 CEILING DETAIL
A603|A603 Scale: 1 1/2" = 1'-0"



5 CEILING DETAIL
A603|A603 Scale: 1 1/2" = 1'-0"



4 CEILING DETAIL AT FURRDOWN
A603|A603 Scale: 1 1/2" = 1'-0"



3 CEILING EDGE DETAIL
A603|A603 Scale: 1 1/2" = 1'-0"

LEGEND:

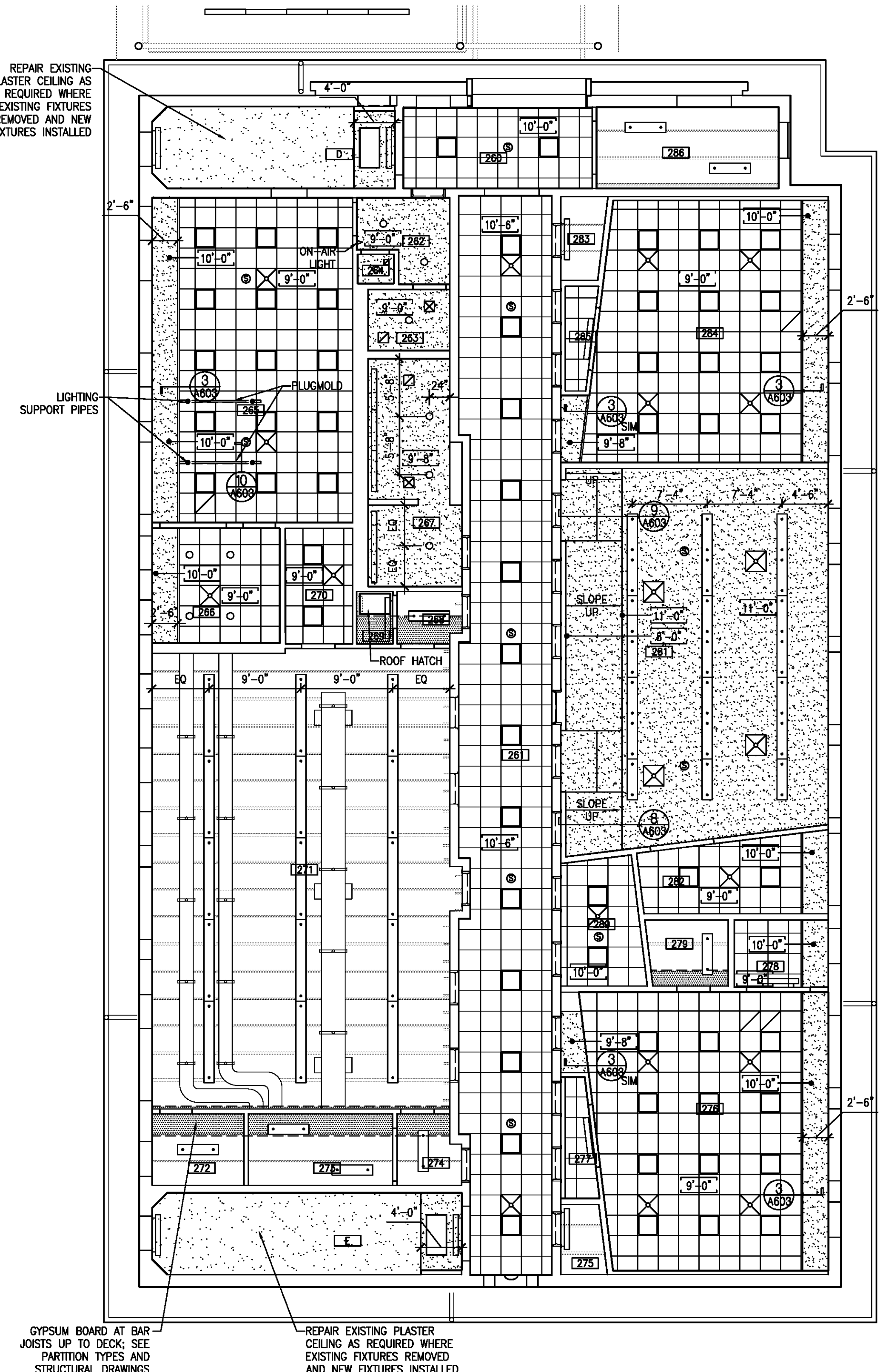
- △ TRACK FIXTURE
- SUSPENDED STRIP LIGHT FIXTURE
- WRAPPED FIXTURE
- RECESSED FLUORESCENT LIGHT FIXTURE
- INDIRECT LIGHT FIXTURE
- UC = UNDERCOUNTER FIXTURE
- RECESSED LIGHT FIXTURE
- WALL-MOUNTED FIXTURE

- ⊠ HVAC SUPPLY DIFFUSER
- ⊠ HVAC RETURN AIR GRILLE
- ⊠ HVAC EXHAUST FAN
- ⊙ SMOKE DETECTOR
- ⊙ HEAT DETECTOR
- ⊠ EXIT SIGN, CEILING-MOUNTED
- ⊠ EXIT SIGN, WALL-MOUNTED
- ⊠ FIRE ALARM DEVICE
- ⊠ WALL SPRINKLER
- CONCEALED SPRINKLER HEAD
- ⊙ SEMI-RECESSED SPRINKLER HEAD

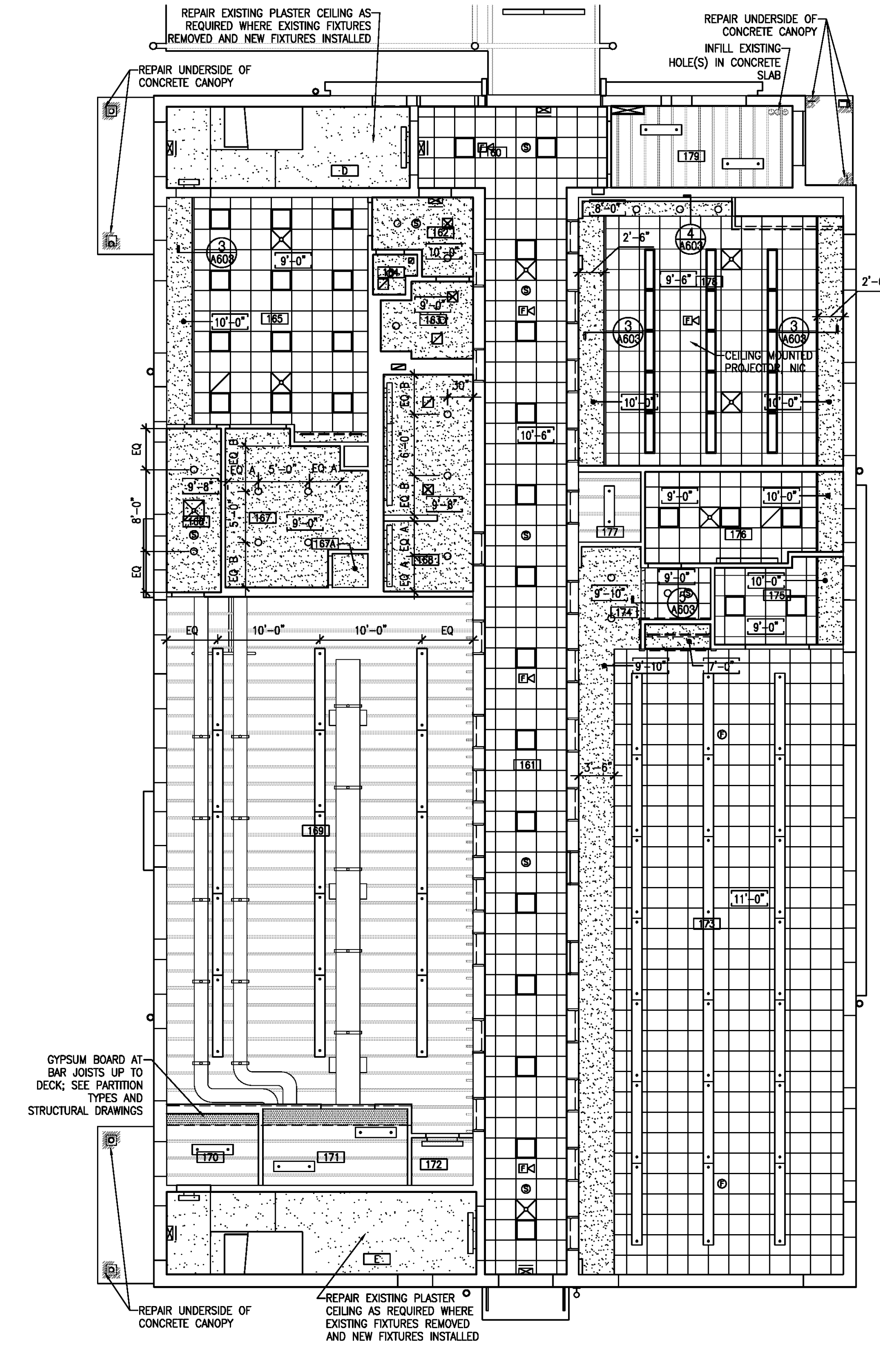
- GYPSUM BOARD
- SUSPENDED ACOUSTICAL PANEL CEILING
- 9'-0" CEILING HEIGHT

GENERAL NOTES:

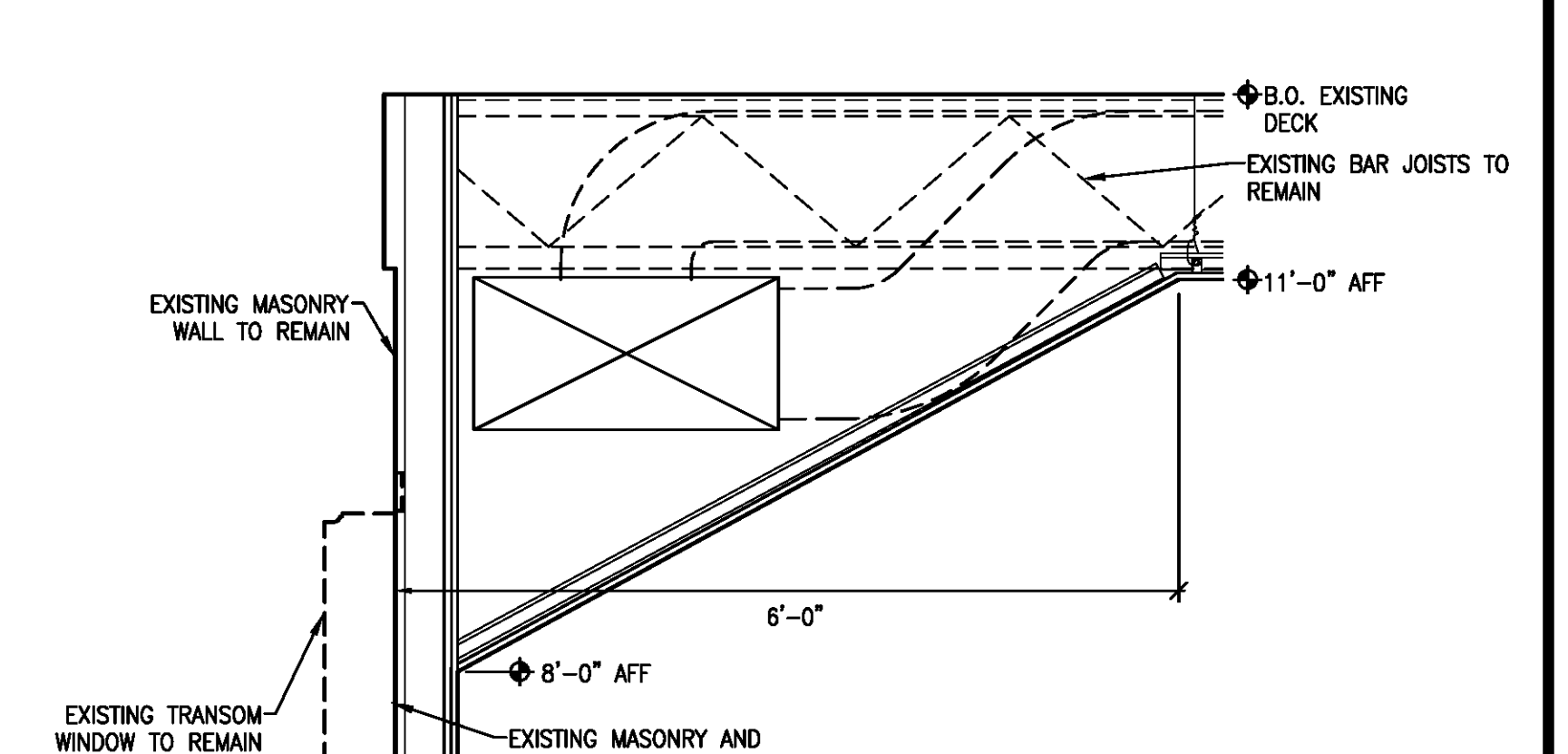
1. SEE MECHANICAL AND ELECTRICAL DRAWINGS FOR APPROXIMATE LOCATIONS AND NUMBER OF FIXTURES; ITEMS SHALL BE INSTALLED AT CEILINGS IN ACCORDANCE WITH ARCHITECTURAL REFLECTED CEILING PLANS.
2. ALL ITEMS INSTALLED ON CEILING SURFACES (I.E.: DETECTORS, SPRINKLER HEADS, SPEAKERS, ETC.) SHALL BE INSTALLED CENTERED IN CEILING PANELS OR IN GYPSUM BOARD AREAS PER ARCHITECTURAL REFLECTED CEILING PLANS.
3. ALL SPRINKLER HEADS AND OTHER DEVICES NOT SHOWN SHALL BE INSTALLED TO FOLLOW GEOMETRIES OR PATTERNS ESTABLISHED BY LIGHT FIXTURES AND OTHER SHOWN DEVICES.
4. BLANK AREAS ARE OPEN TO STRUCTURE ABOVE.
5. SEE INTERIOR ELEVATIONS FOR SOFFIT HEIGHTS NOT GIVEN.
6. PRIOR TO INSTALLATION OF LIGHTING, VERIFY THAT DOORS SWING CLEAR OF FIXTURES.
7. CEILING HEIGHTS GIVEN ARE ABOVE LOWEST FLOOR FINISH WITHIN THE SPACE UNLESS NOTED OTHERWISE. SEE INTERIOR ELEVATIONS FOR HEIGHTS OF SLOPED CEILINGS.



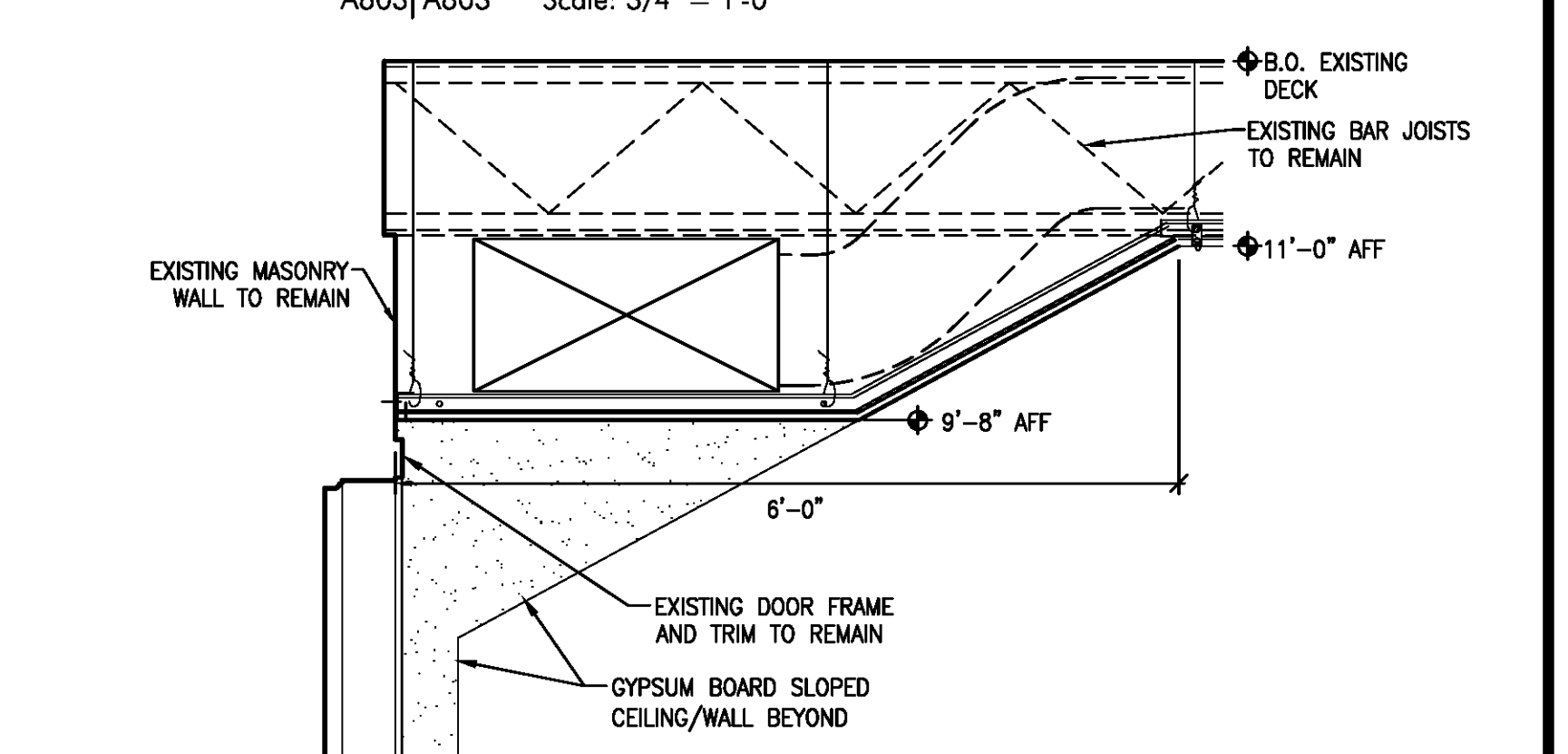
2 SECOND FLOOR REFLECTED CEILING PLAN - ST. JOSEPH'S HALL
A603 Scale: 1/8" = 1'-0"



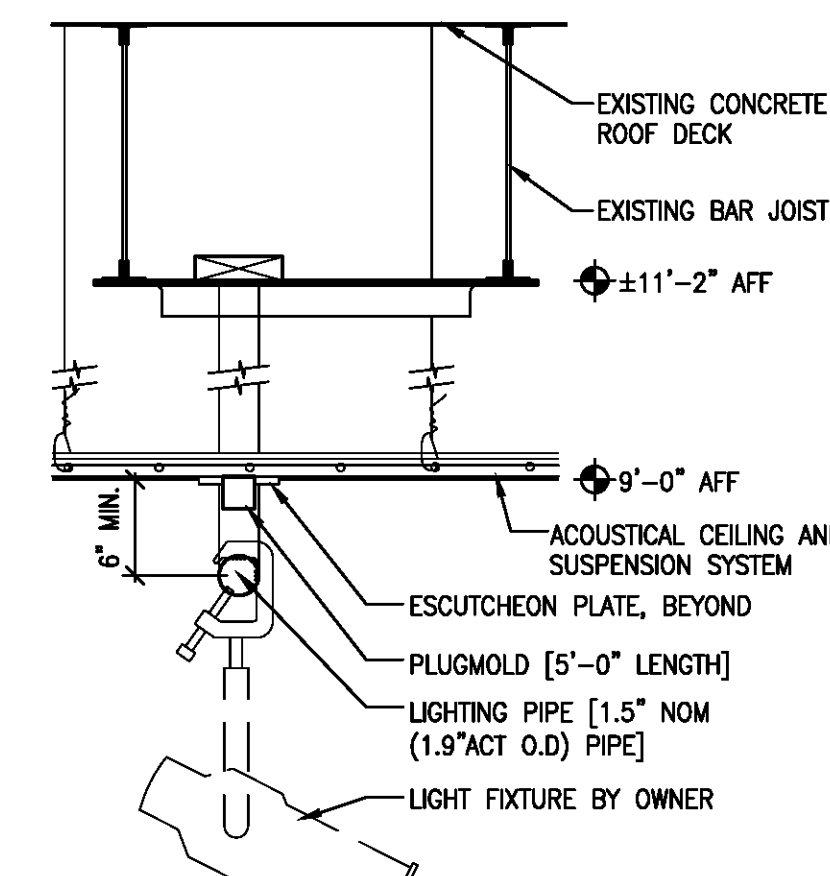
1 FIRST FLOOR REFLECTED CEILING PLAN - ST. JOSEPH'S HALL
A603 Scale: 1/8" = 1'-0"



8 CEILING DETAIL
A603|A603 Scale: 3/4" = 1'-0"



9 CEILING DETAIL
A603|A603 Scale: 3/4" = 1'-0"



10 DETAIL at Lighting Bar
A603|A603 Scale: 1" = 1'-0"

Waggoner & Ball Architects
 2200 PRYTHANA STREET
 NEW ORLEANS, LOUISIANA 70130
 T 504-524-5508 F 504-524-5514
 www.waggonerball.com

ACADEMY OF THE SACRED HEART PHASE 2
 New Arts and Athletics Facility
 4501 CARONDELET ST.
 NEW ORLEANS, LOUISIANA 70115
 PROJECT NO.: 0209-20

SHEET TITLE:
FIRST AND SECOND FLOOR REFLECTED CEILING PLANS AND CEILING DETAILS
 ST. JOSEPH'S HALL
 DATE: JAN 08, 2010
 DRAWN BY:
 REVISION:



A603