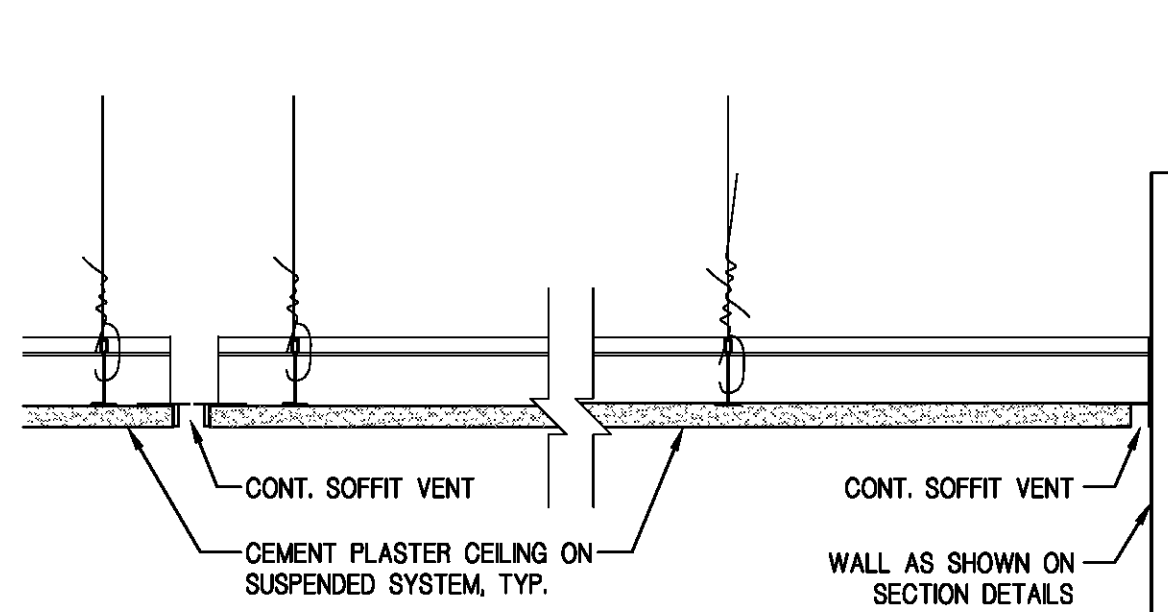
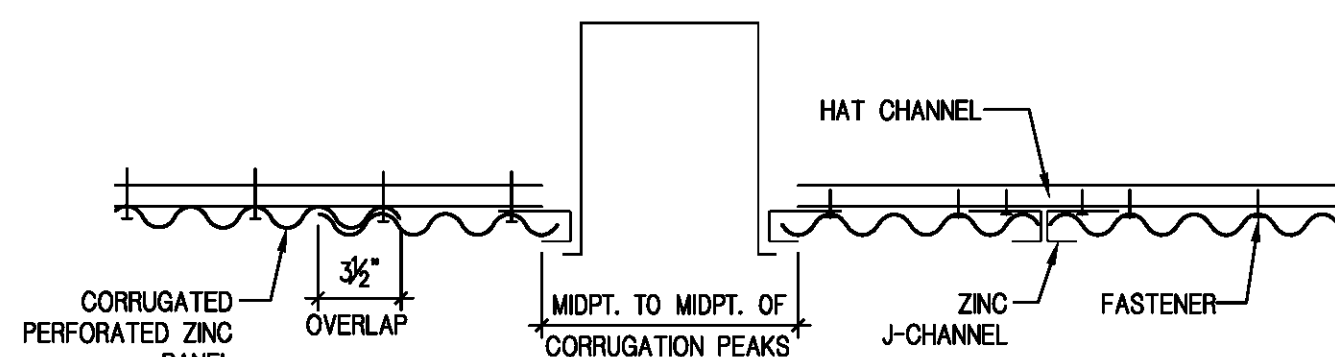


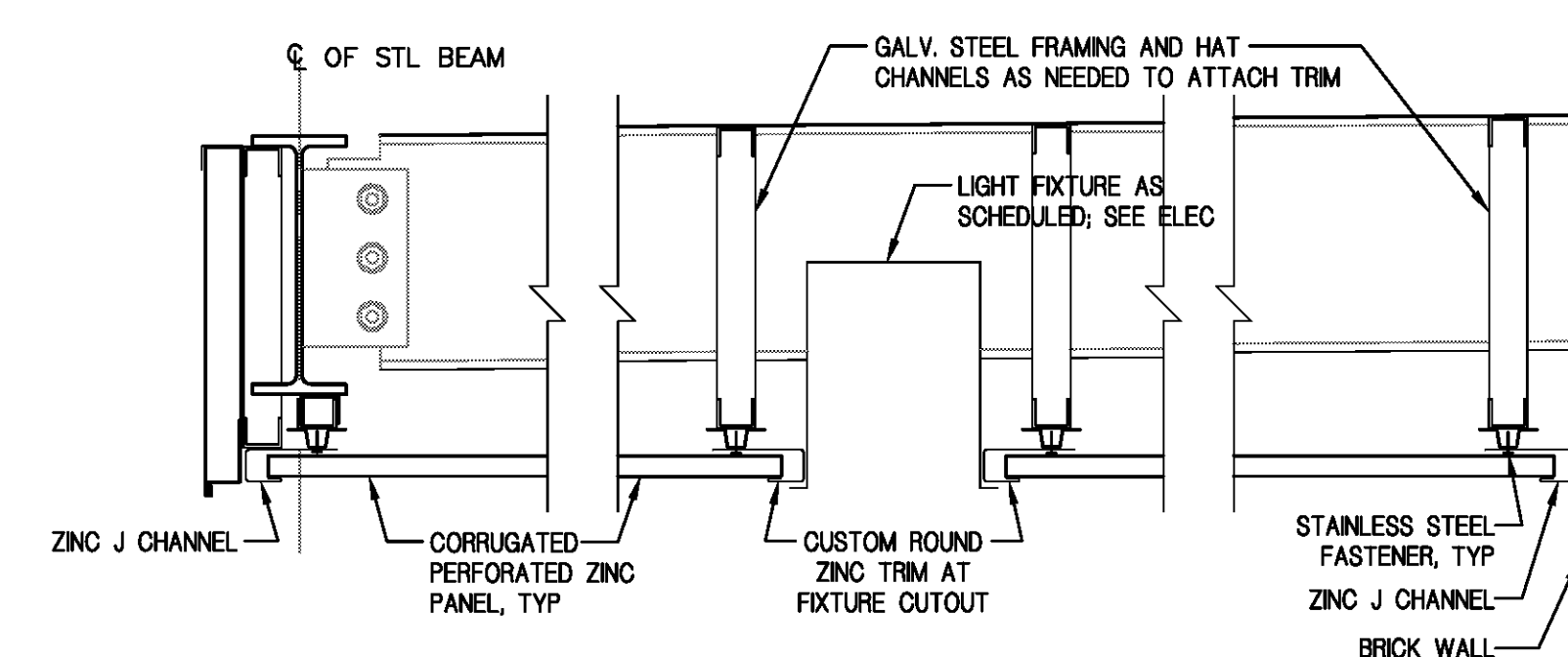
14 CEILING DETAIL TYPICAL AT ACCESS PANEL
A600's | A604 1 1/2" = 1' - 0"



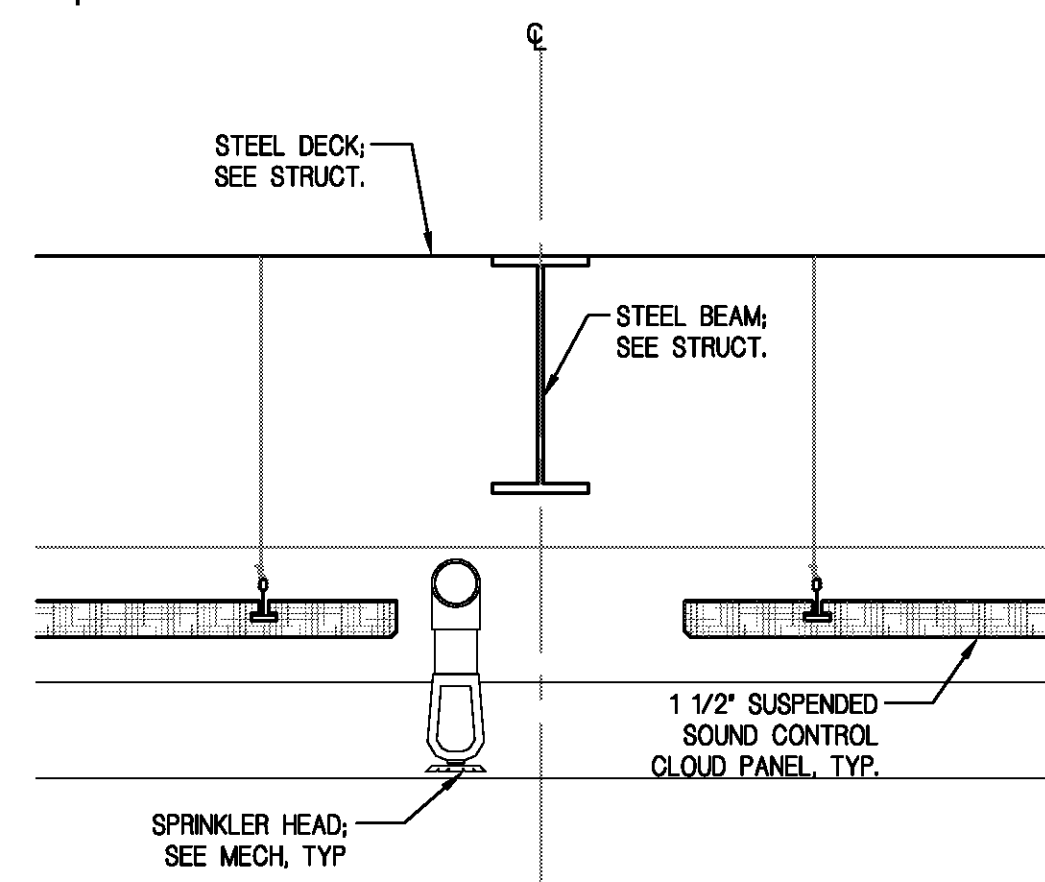
13 CEILING DETAIL TYP. AT PLASTER SOFFIT
A600's | A604



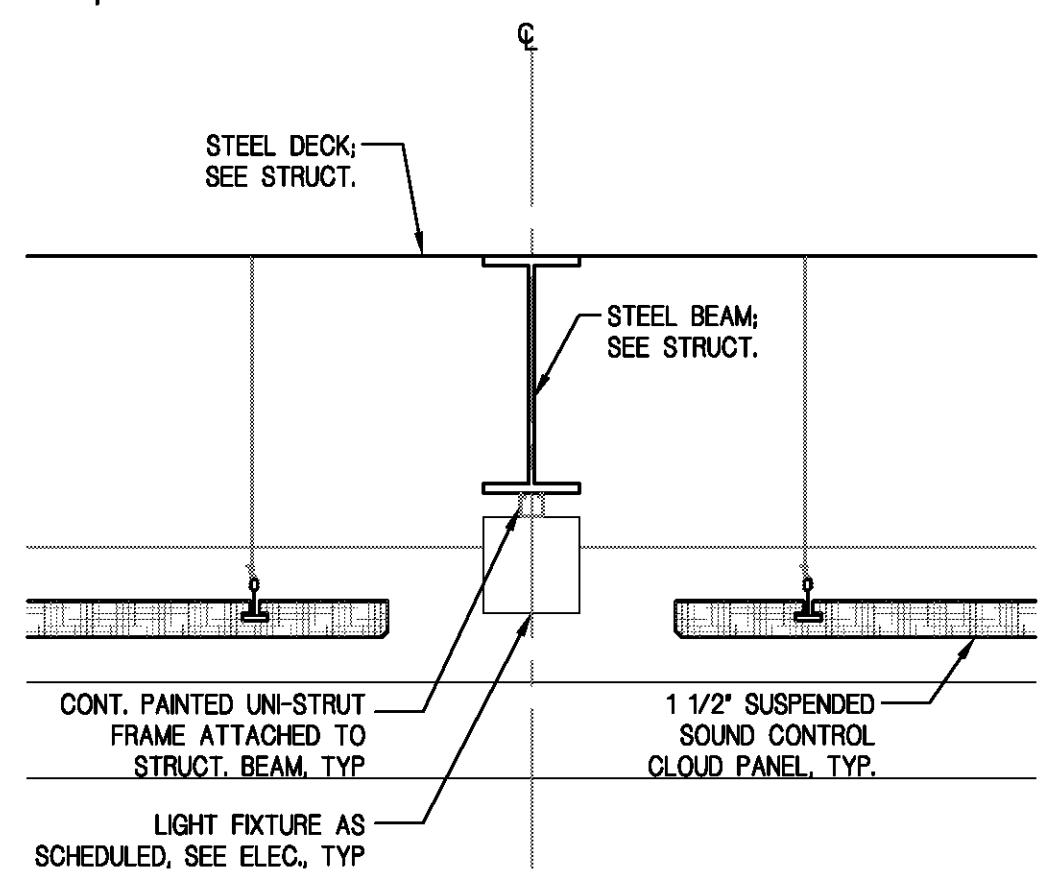
12 CEILING DETAIL AT EXT. ZINC CLNG
A604 | A604



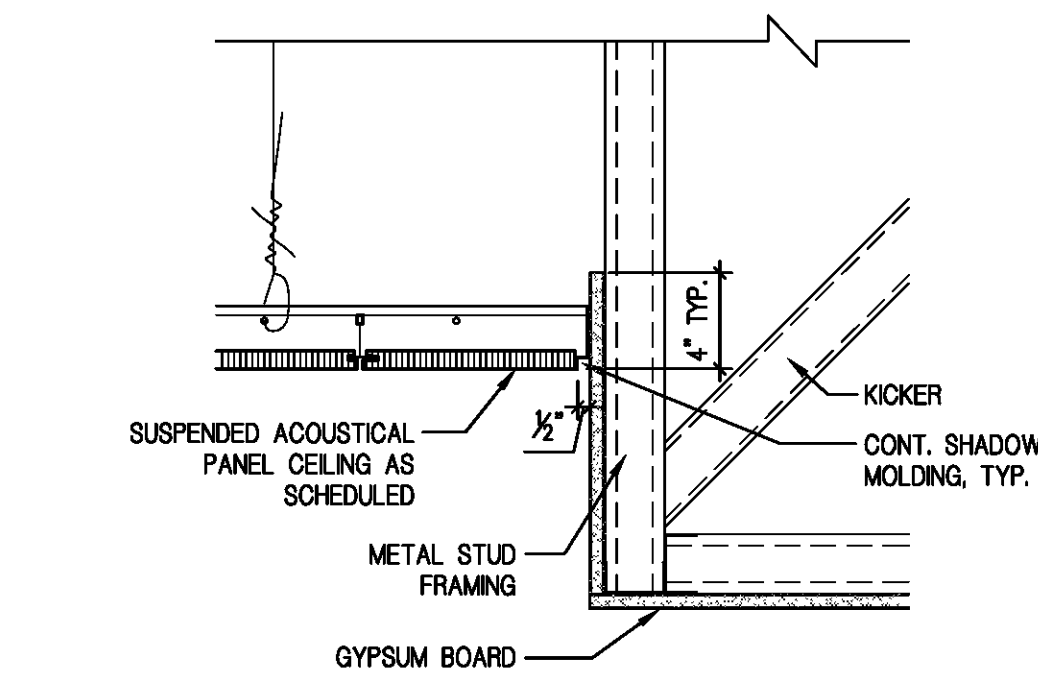
11 CEILING DETAIL AT EXT. ZINC CLNG
A604 | A604



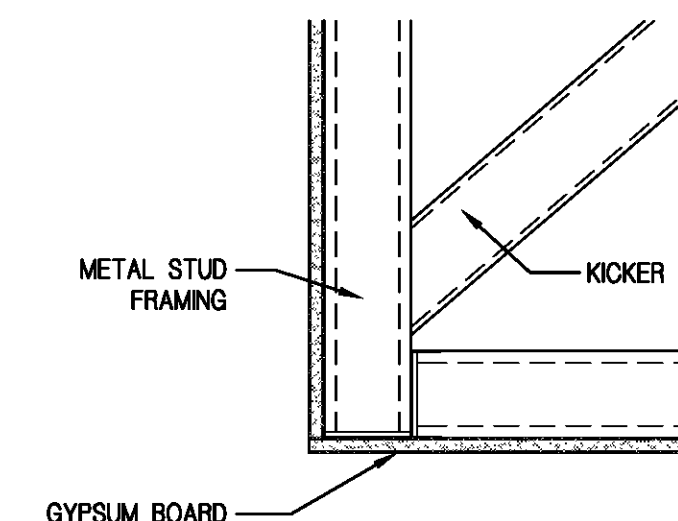
10 CEILING DETAIL TYP. AT SOUND CONTROL CLOUD PANEL / SPRINKLER
A600's | A604 1 1/2" = 1' - 0"



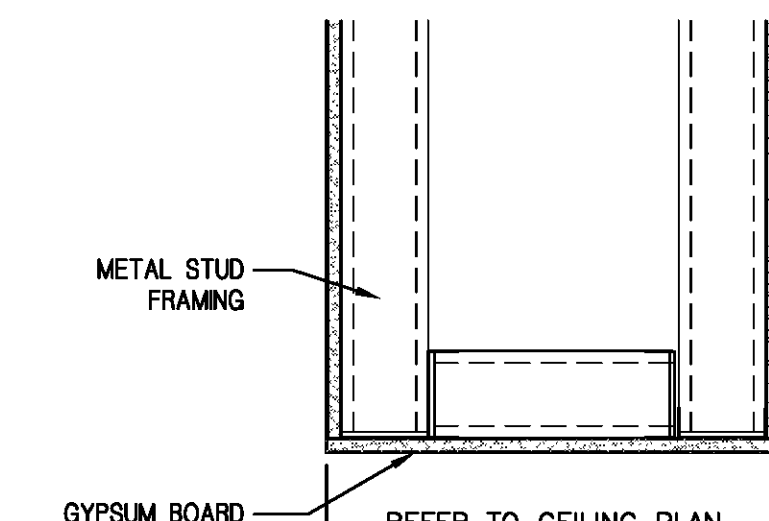
9 CEILING DETAIL TYP. AT SOUND CONTROL CLOUD PANEL / LIGHT FIXT.
A600's | A604 1 1/2" = 1' - 0"



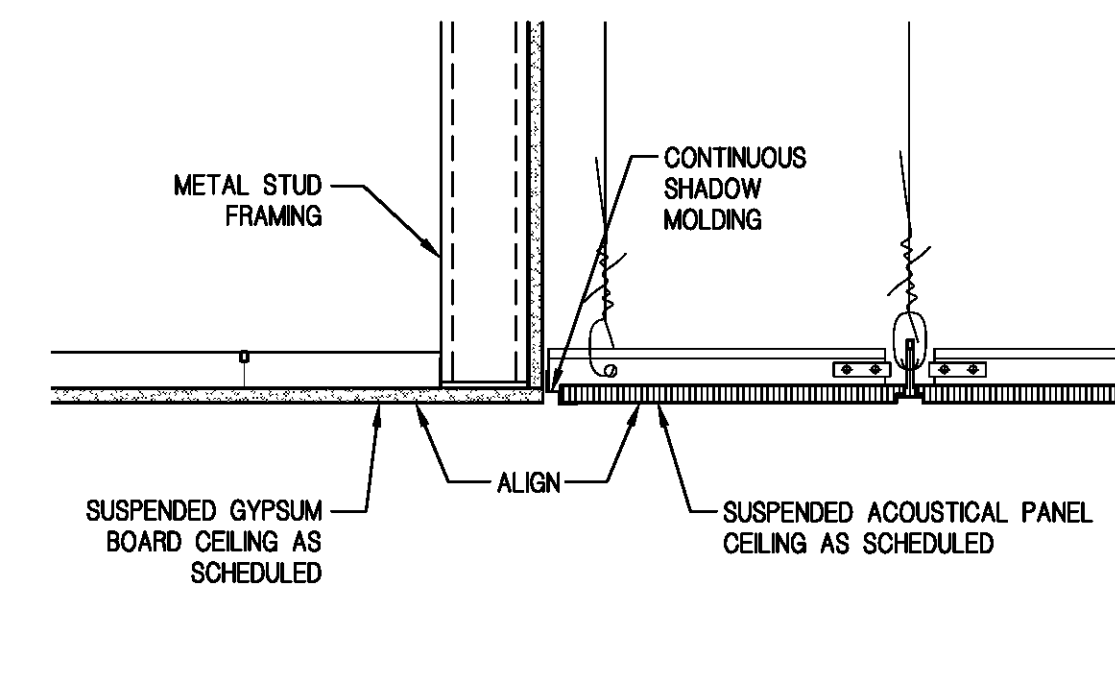
8 CEILING DETAIL AT CEILING TRANSITION
A600's | A604 1 1/2" = 1' - 0"



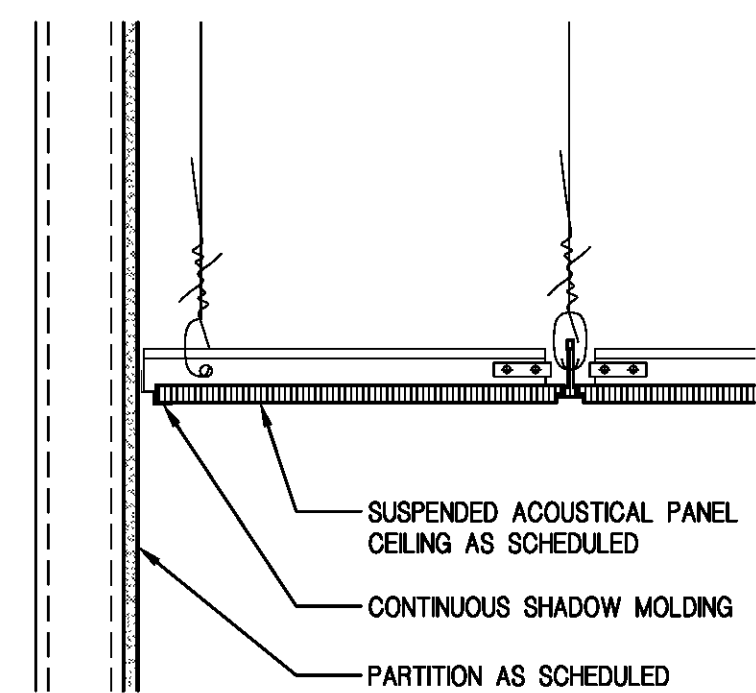
7 CEILING DETAIL AT GYPSUM BOARD SOFFIT
A600's | A604 1 1/2" = 1' - 0"



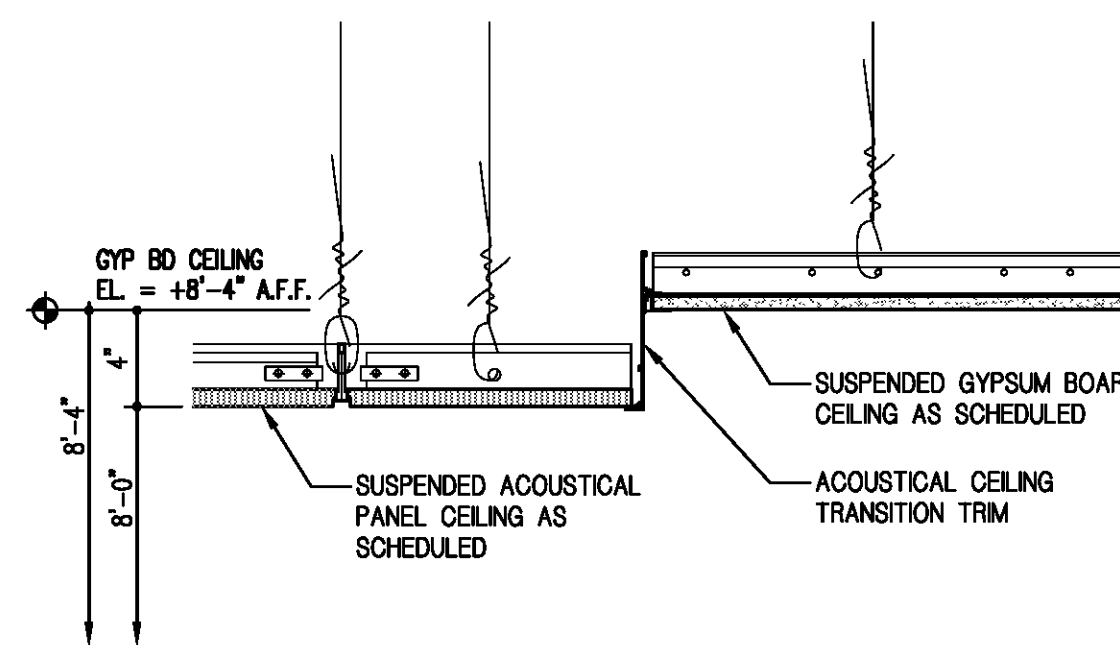
6 CEILING DETAIL AT GYPSUM BOARD SOFFIT
A600's | A604 1 1/2" = 1' - 0"



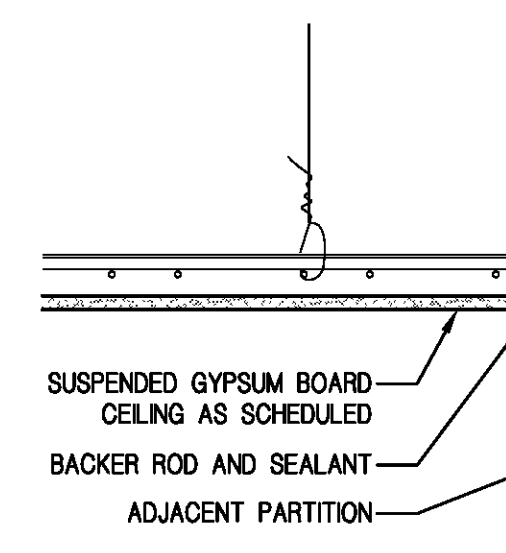
5 CEILING DETAIL AT CEILING TRANSITION
A600's | A604 1 1/2" = 1' - 0"



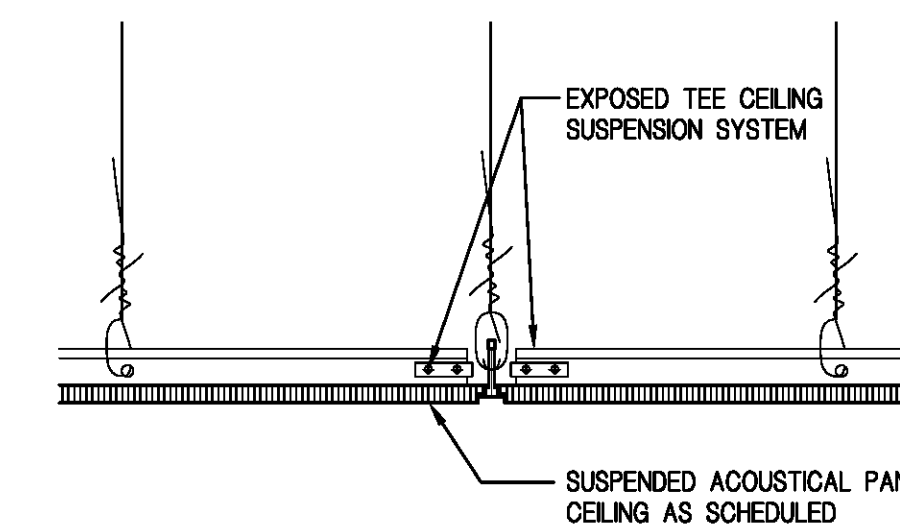
4 CEILING DETAIL TYP. AT ACOUSTICAL PANEL/PARTITION
A600's | A604 1 1/2" = 1' - 0"



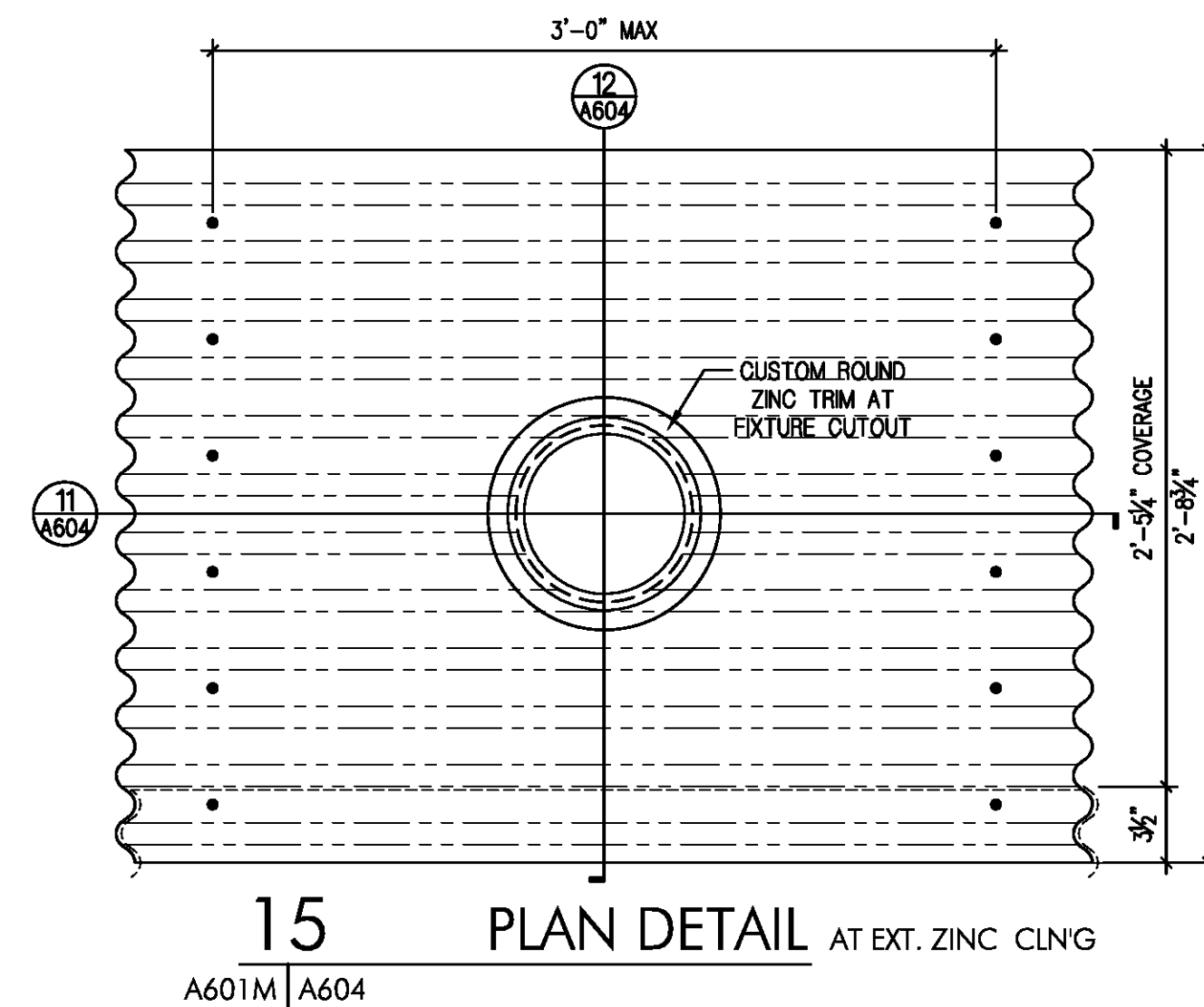
3 CEILING DETAIL AT CLNG HT. TRANSITION
A600's | A604 1 1/2" = 1' - 0"



2 CEILING DETAIL TYPICAL AT GYP BD CEILING/PARTITION
A600's | A604 1 1/2" = 1' - 0"



1 CEILING DETAIL TYP. AT ACOUSTICAL PANEL CEILINGS ACP-1 & ACP-2
A600's | A604 1 1/2" = 1' - 0"



SHEET TITLE: CEILING DETAILS
NEW BUILDING

DATE: JAN 08, 2010
DRAWN BY: MP
REVISION:

