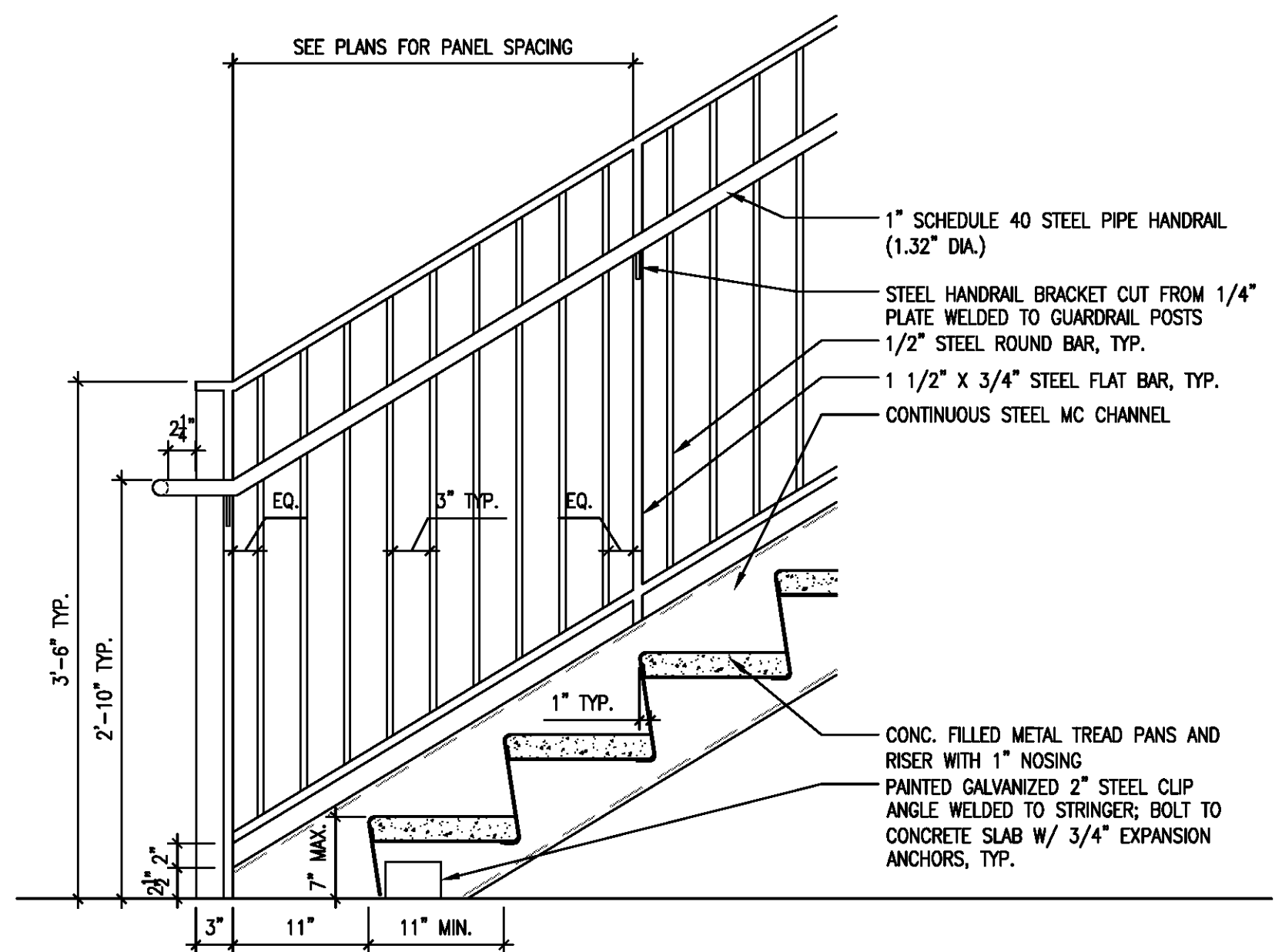
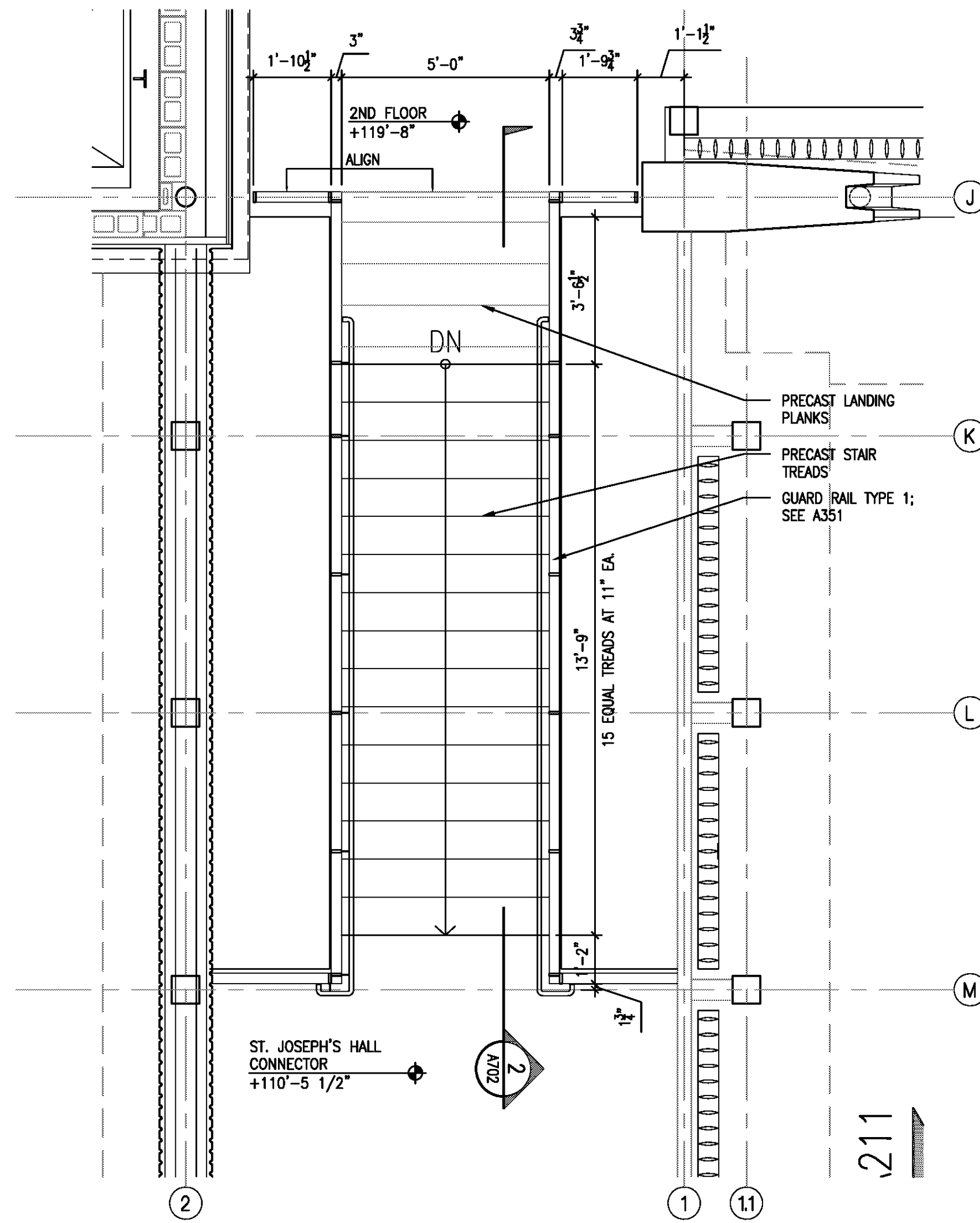


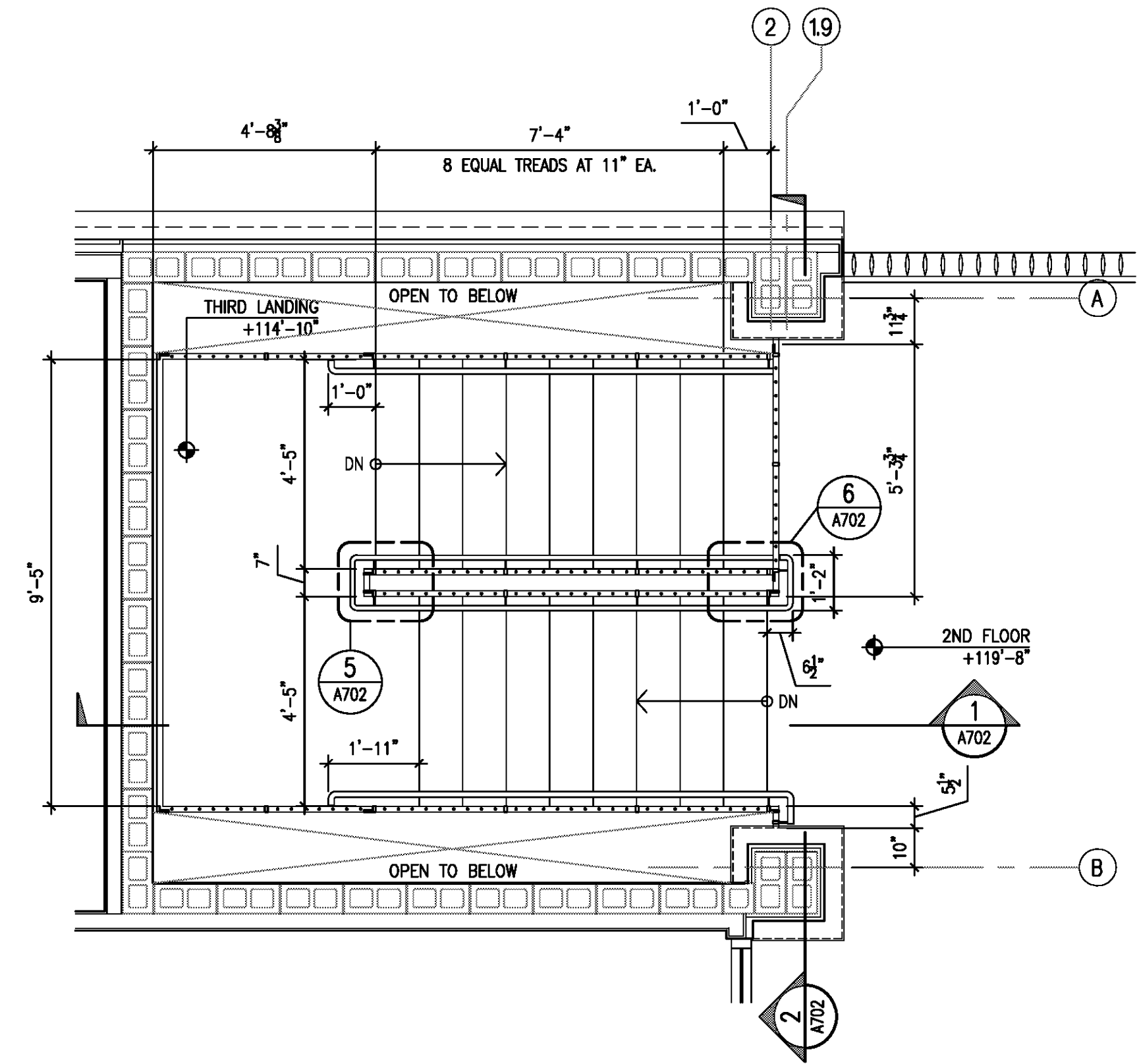
6 TYPICAL STAIR DETAIL @ LANDING  
Scale: 1" = 1'-0"



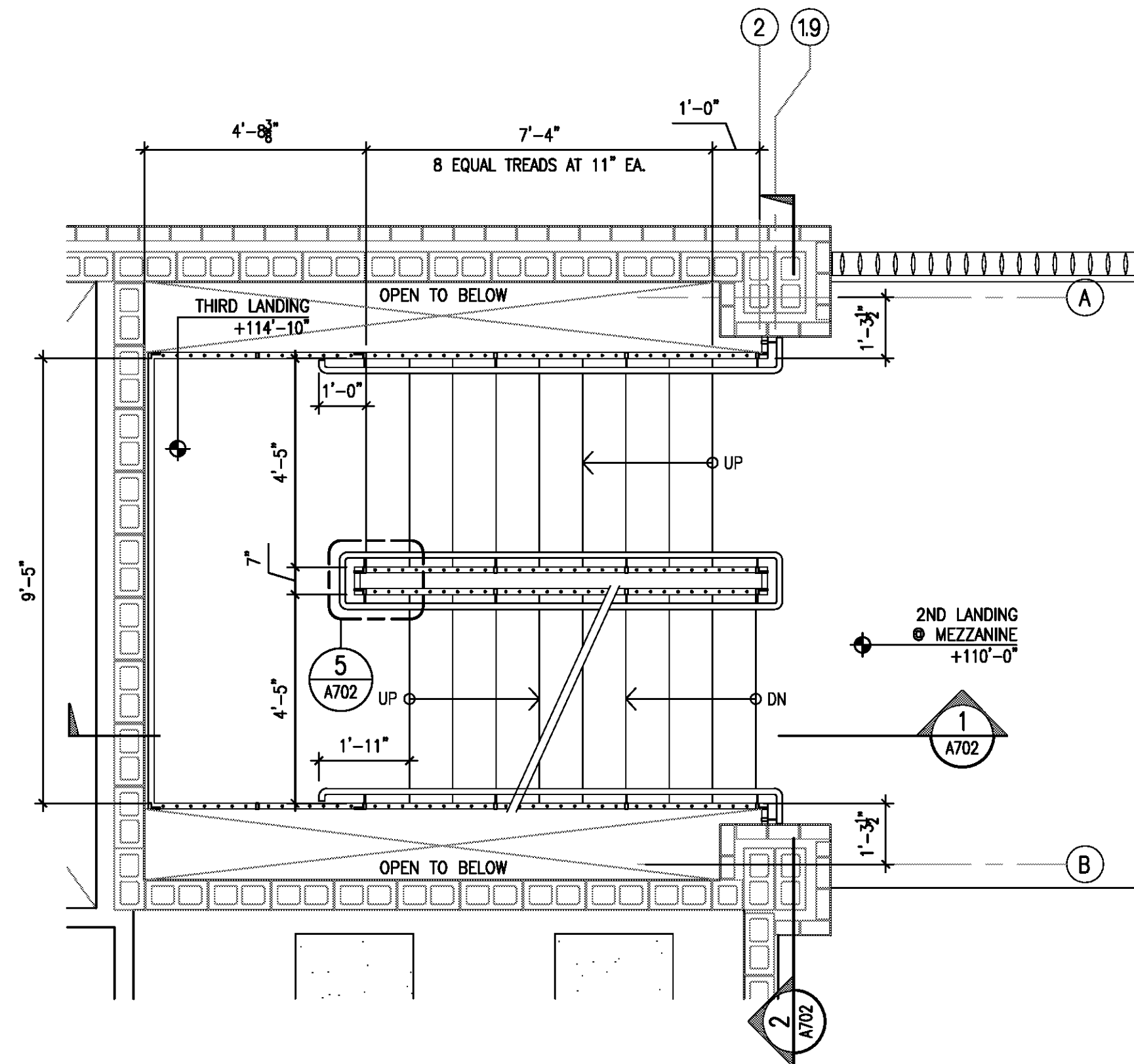
5 TYPICAL STAIR DETAIL @ GROUND LEVEL  
A701 | A701 Scale: 1" = 1'-0"



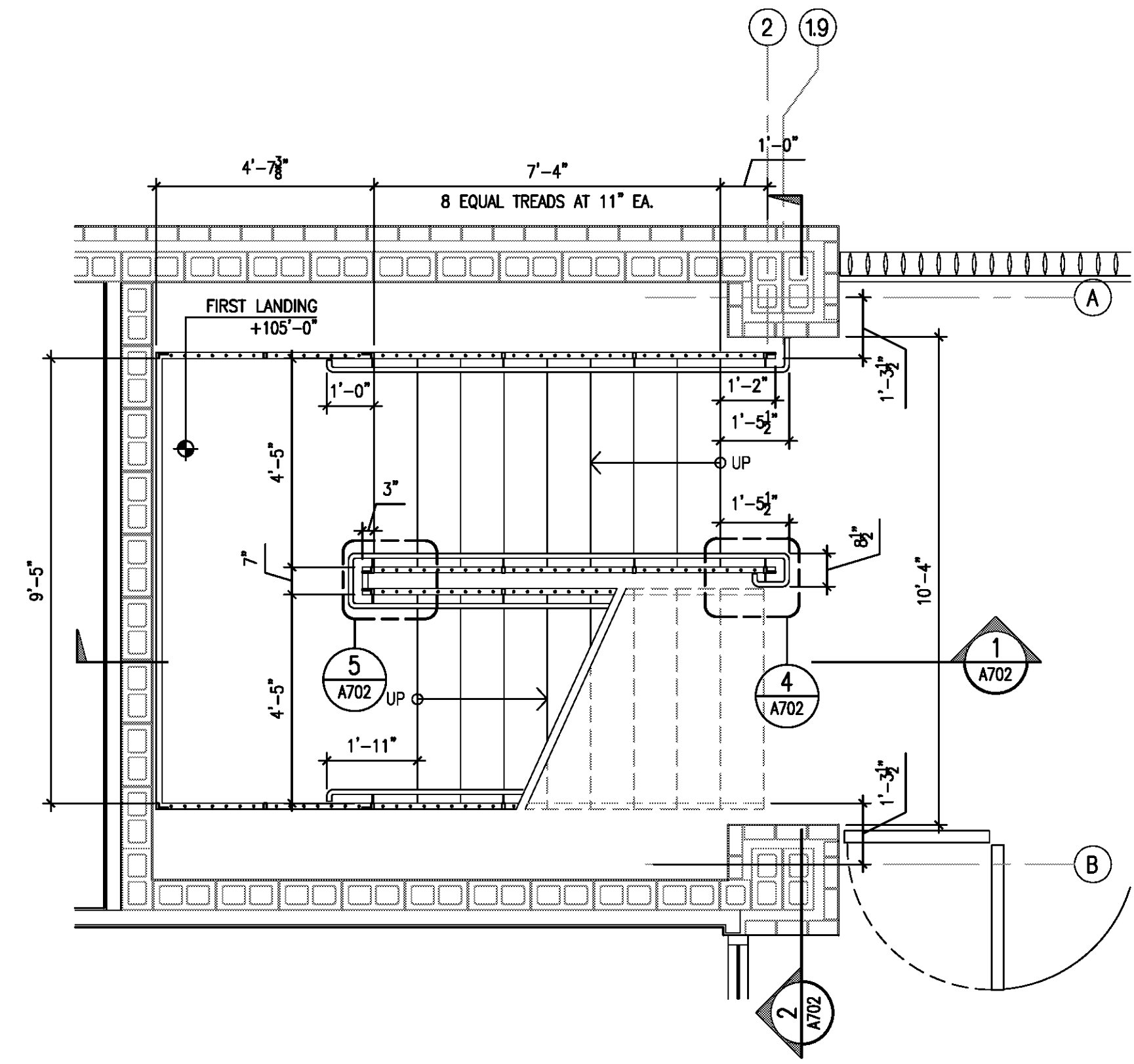
4 SECOND FLOOR PLAN - STAIR C  
A202 | A701 Scale: 3/8" = 1'-0"



3 SECOND FLOOR PLAN - STAIR A  
A202 | A701 Scale: 3/8" = 1'-0"



2 MEZZANINE FLOOR PLAN - STAIR A  
A201M | A701 Scale: 3/8" = 1'-0"



1 FIRST FLOOR PLAN - STAIR A  
A201 | A701 Scale: 3/8" = 1'-0"

