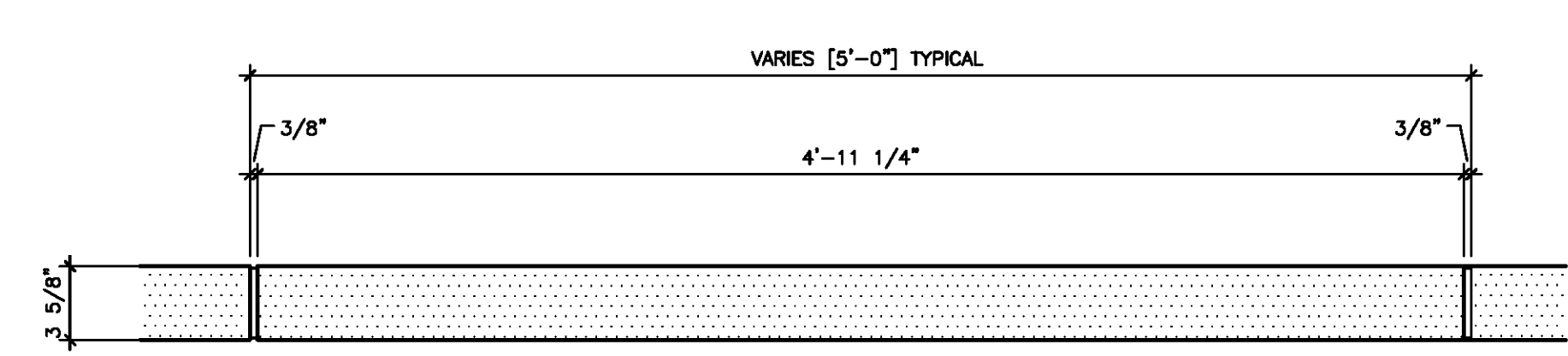
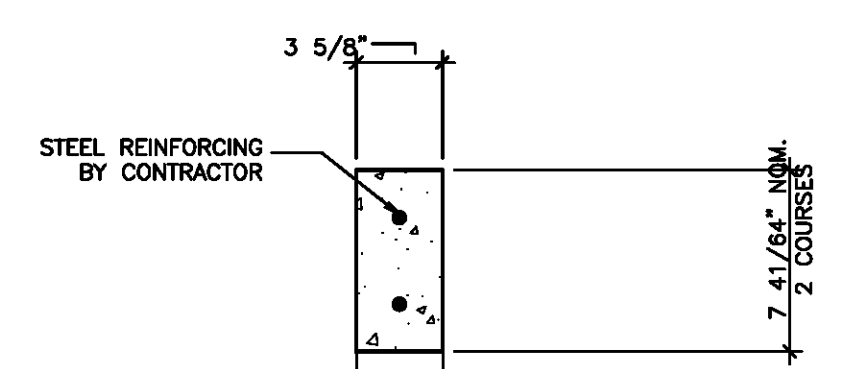


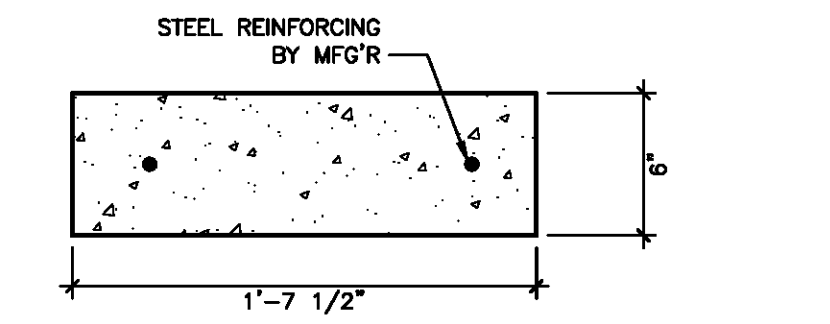
1 ELEVATION  
A301/A805 1 1/2"=1'-0"  
CAST STONE SILL  
TYPE 'S1'



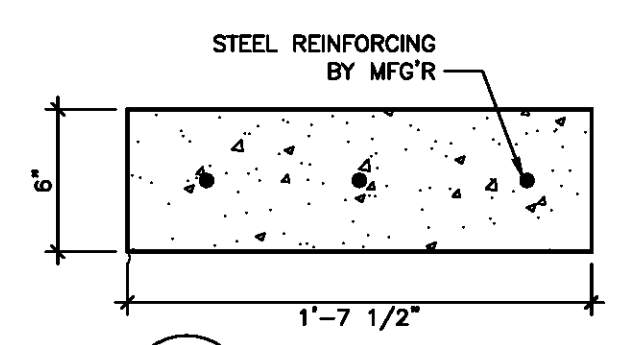
2 PLAN  
A301/A805 1 1/2"=1'-0"  
CAST STONE SILL  
TYPE 'S1'



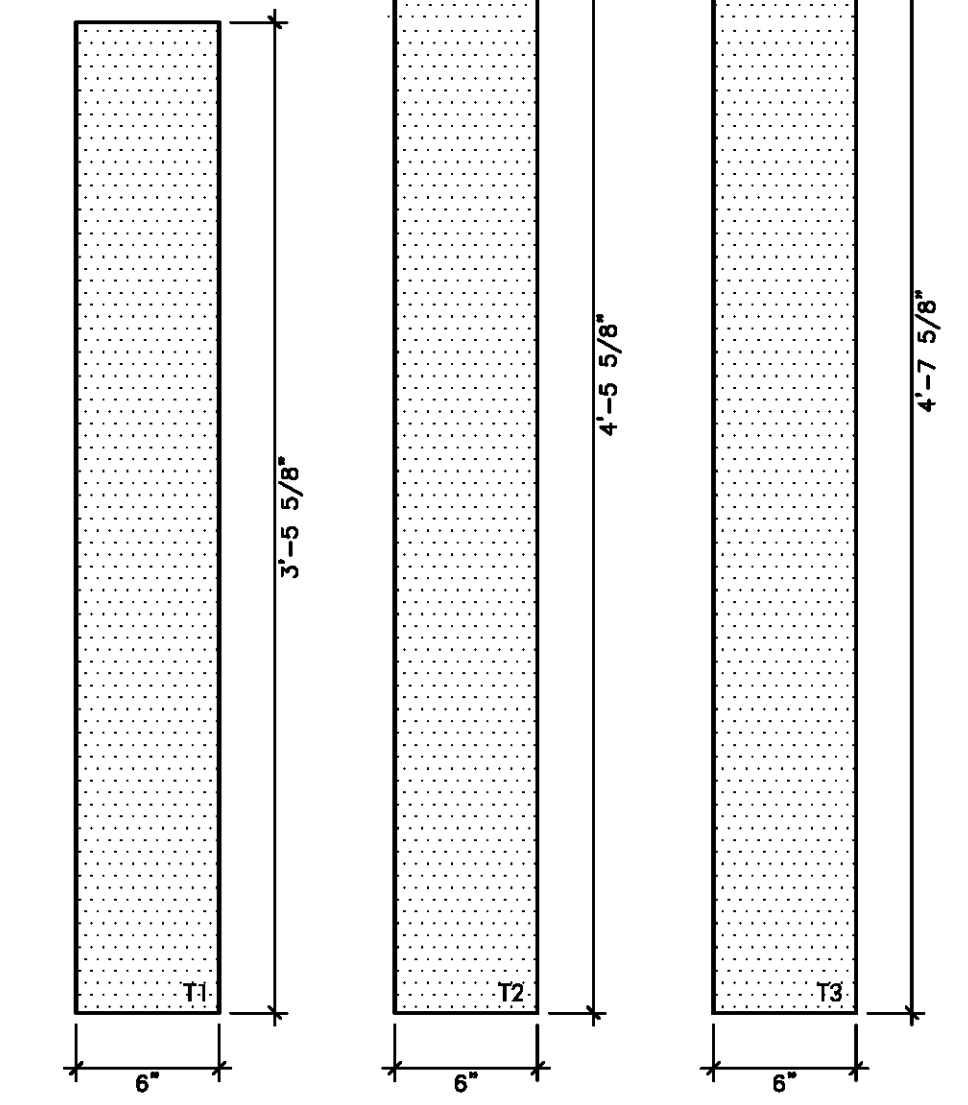
3 SECTION  
A804/A805 1 1/2"=1'-0"  
CAST STONE SILL  
TYPE 'S1'



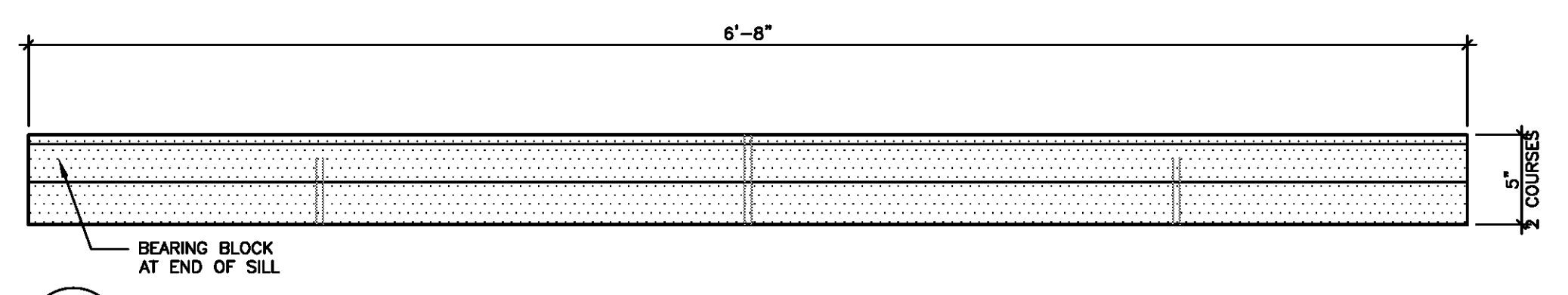
4 SECTION  
A301/A805 1 1/2"=1'-0"  
CAST STONE TRIM  
TYPE 'T1, T2 AND T3'



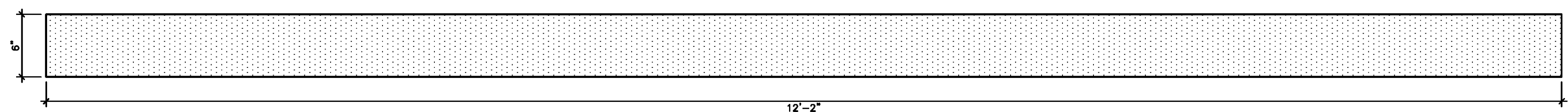
6 SECTION  
A301/A804 1 1/2"=1'-0"  
CAST STONE LINTEL  
TYPE 'L1'



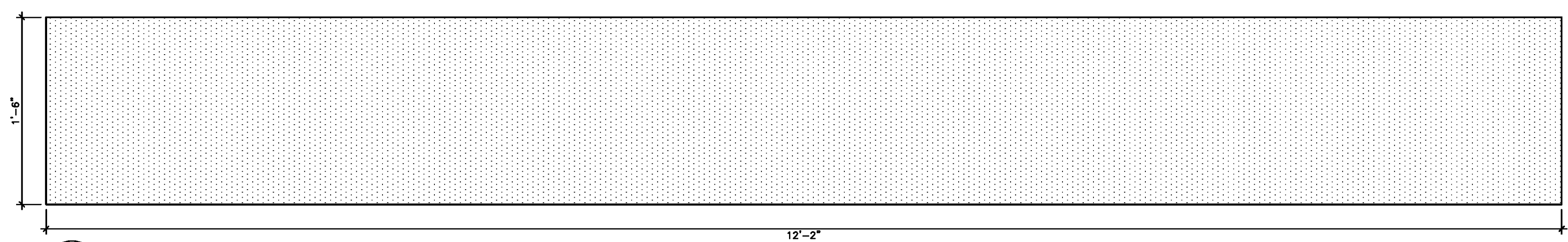
7 ELEVATION  
A301/A805 1 1/2"=1'-0"  
CAST STONE SILL  
TYPE 'T1, T2 AND T3'



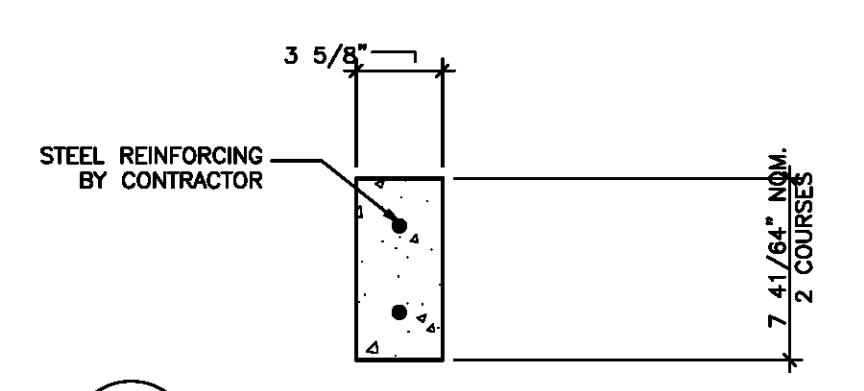
5 ELEVATION  
A301/A804 1 1/2"=1'-0"  
CAST STONE SILL  
TYPE 'S3'



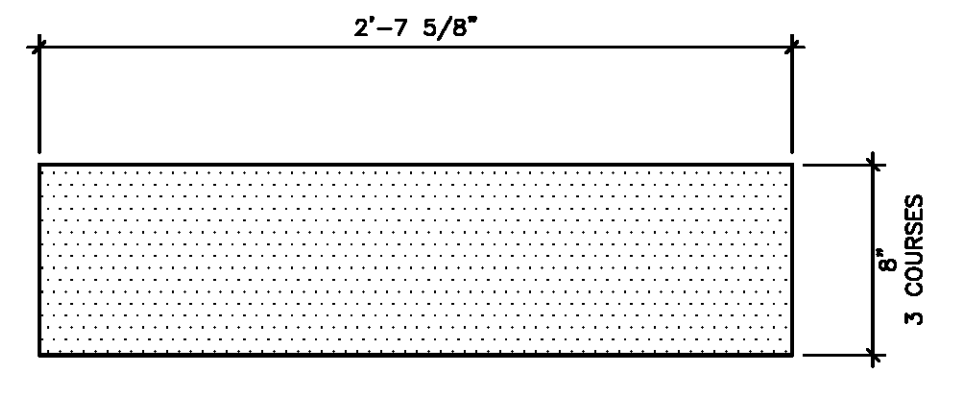
8 ELEVATION  
A301/A804 1 1/2"=1'-0"  
CAST STONE LINTEL  
TYPE 'L1'



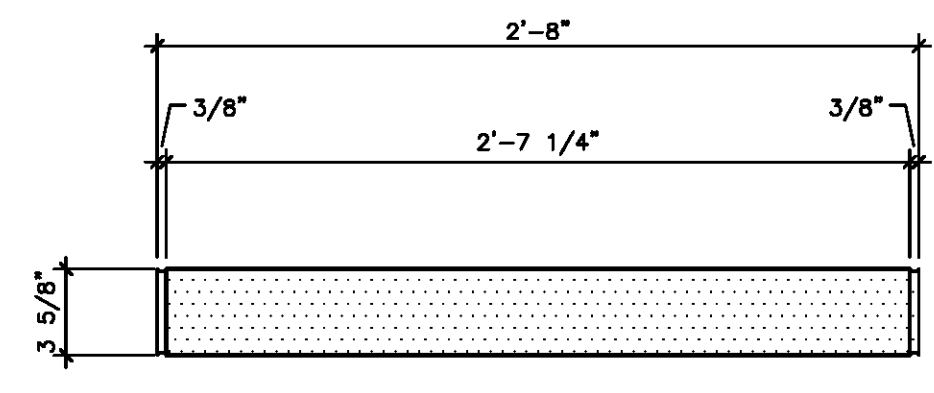
9 PLAN  
A301/A804 1 1/2"=1'-0"  
CAST STONE LINTEL  
TYPE 'L1'



10 SECTION  
A804/A805 1 1/2"=1'-0"  
CAST STONE SILL  
TYPE 'S2'



11 ELEVATION  
A301/A805 1 1/2"=1'-0"  
CAST STONE SILL  
TYPE 'S2'



12 PLAN  
A301/A805 1 1/2"=1'-0"  
CAST STONE SILL  
TYPE 'S2'

Copyright © 2009 by Waggoner & Ball Architects, APC. All rights reserved. No part of the work covered by the copyright herein may be reproduced or used in any form or by any means - graphic, electronic or mechanical, including photocopying, recording, taping or information storage and retrieval systems - without written permission of the copyright holder.

SHEET TITLE:  
STONE SCHEDULE  
CAST STONE DETAILS

DATE:	JAN 08, 2010
DRAWN BY:	ART
REVISION:	

