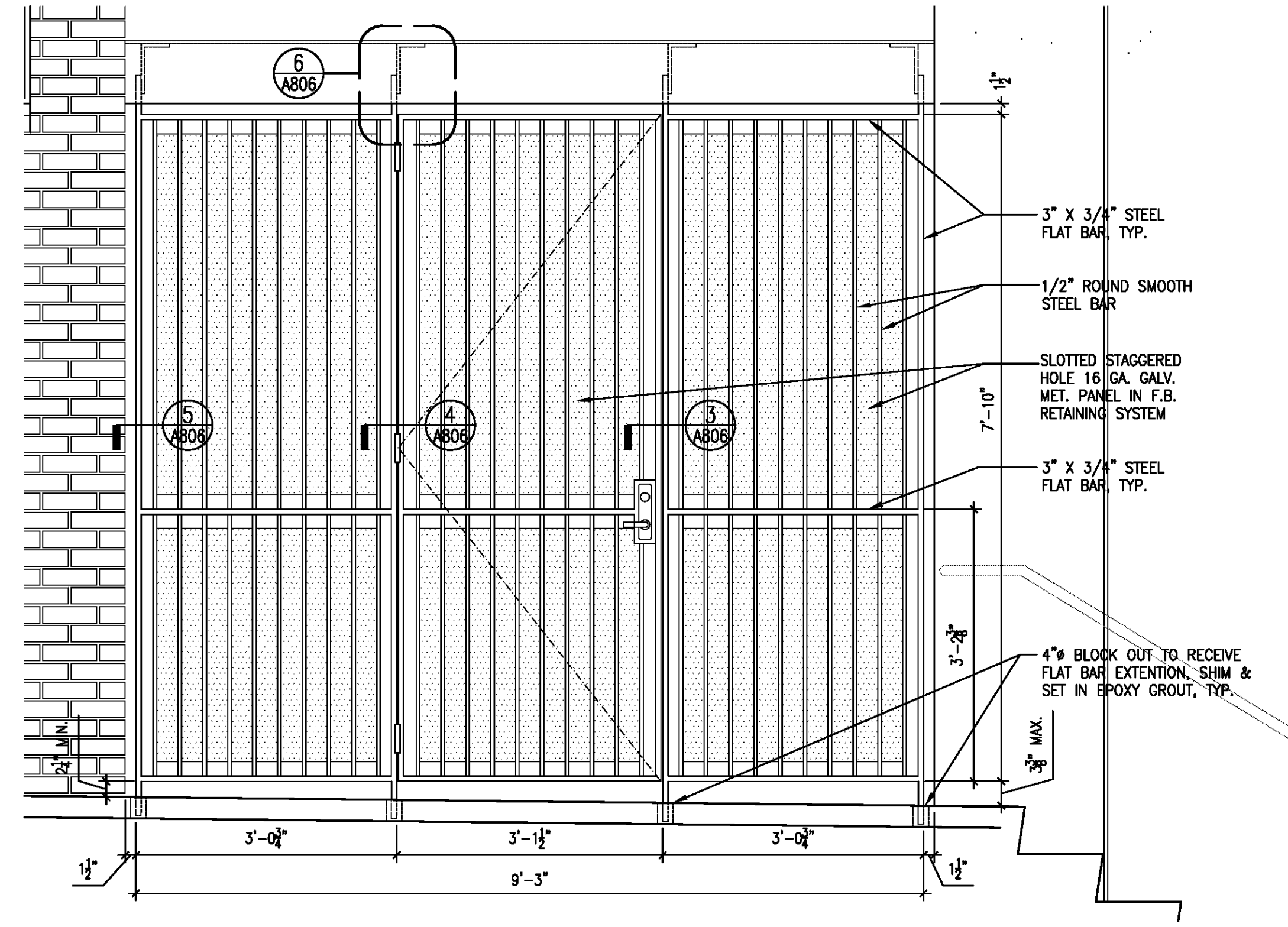


SHEET TITLE: \_\_\_\_\_  
 GATE DETAILS  
 NEW BUILDING  
 \_\_\_\_\_  
 \_\_\_\_\_  
 \_\_\_\_\_  
 \_\_\_\_\_  
 \_\_\_\_\_  
 DATE: JAN 08, 2010  
 DRAWN BY: JRD  
 REVISION: \_\_\_\_\_

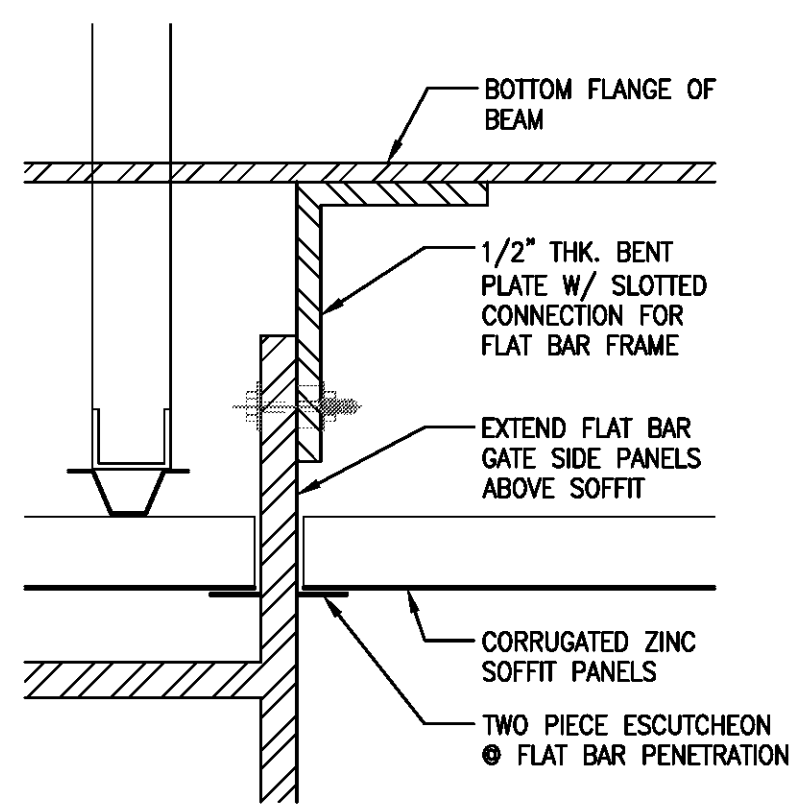


**A806**

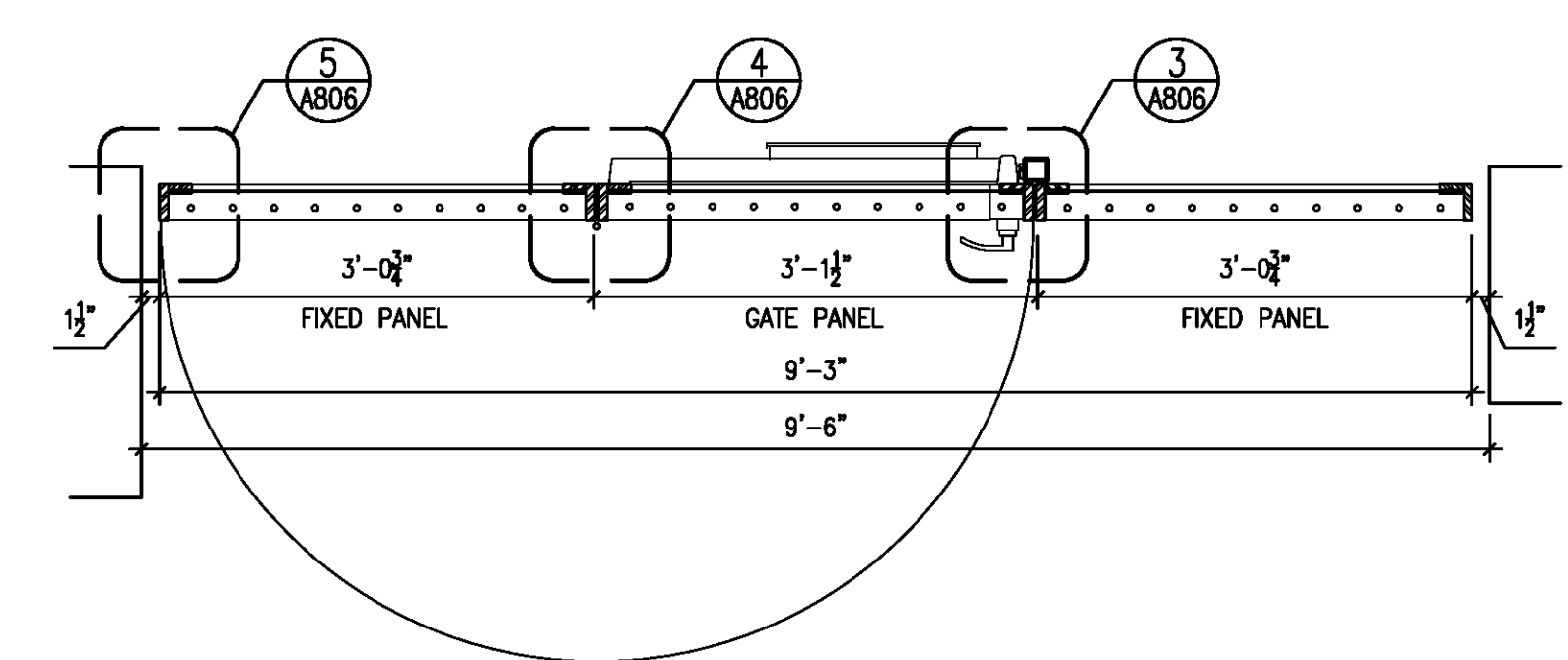
Copyright © 2009 by Waggoner & Ball Architects, APC. All rights reserved. No part of the work covered by the copyright herein may be reproduced or used in any form or by any means - graphic, electronic or mechanical, including photocopying, recording, taping or information storage and retrieval systems - without written permission of the copyright holder.



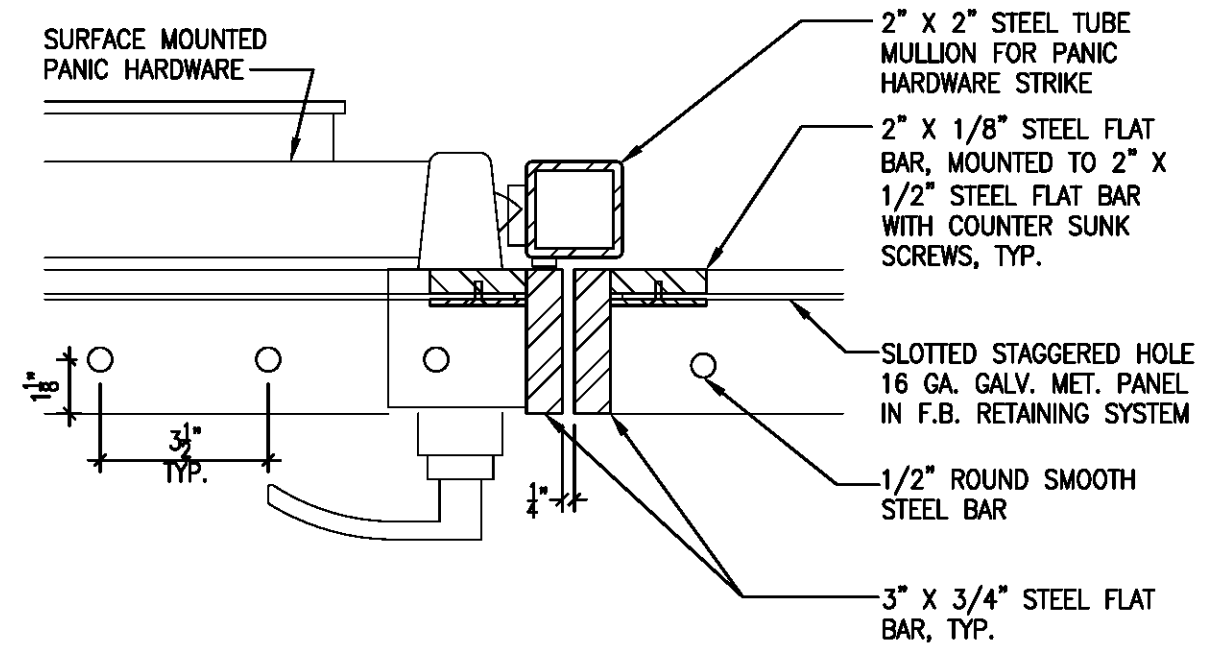
**2** GATE ELEVATION  
 A806 | A806 Scale: 3/4" = 1'-0"



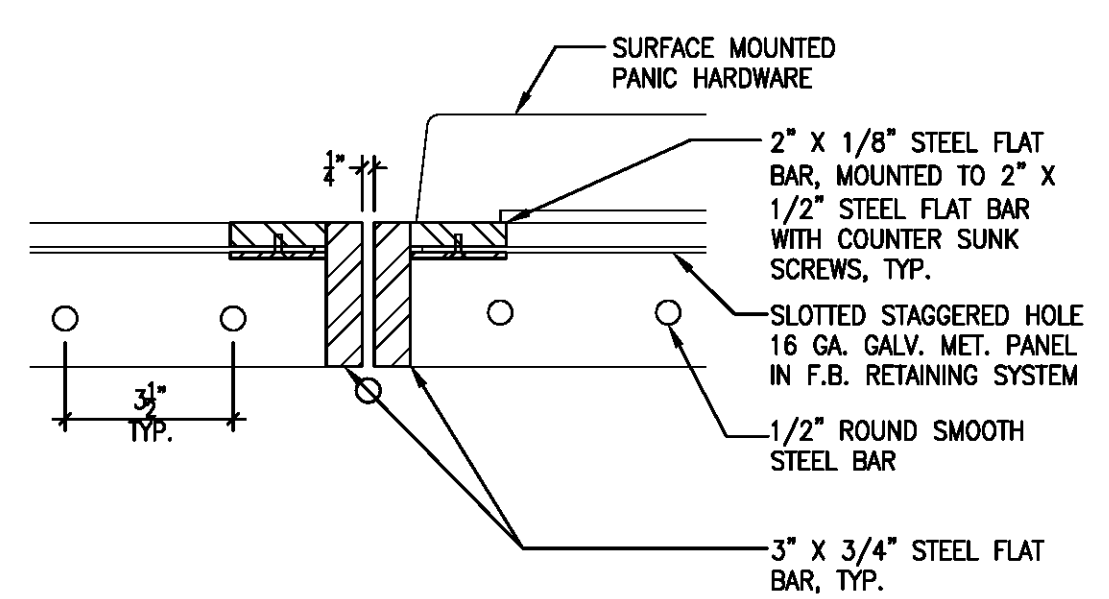
**6** GATE DETAIL  
 A806 | A806 Scale: 3" = 1'-0"



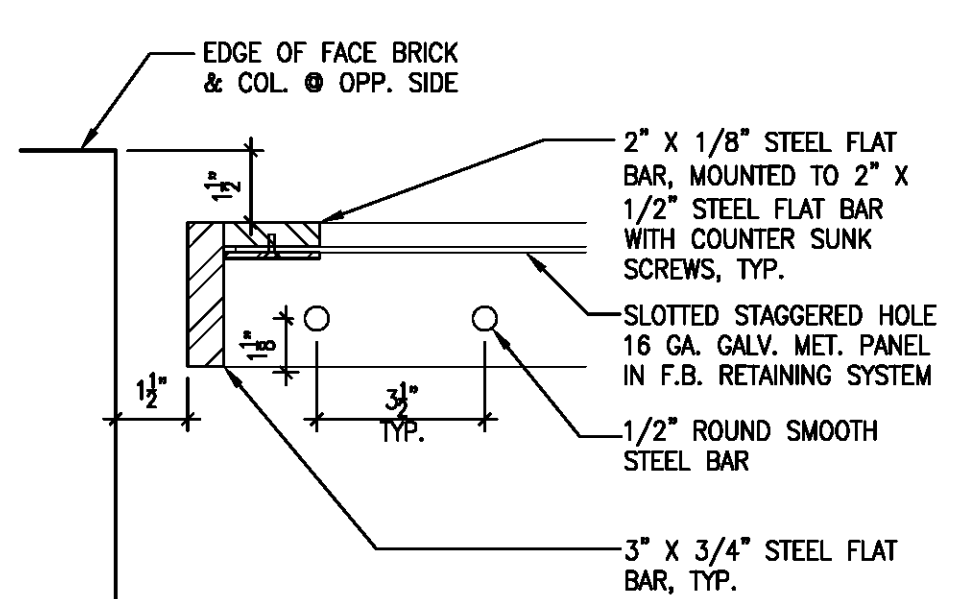
**1** GATE PLAN  
 A201 | A806 Scale: 3/4" = 1'-0"



**3** GATE DETAIL  
 A806 | A806 Scale: 3" = 1'-0"



**4** GATE DETAIL  
 A806 | A806 Scale: 3" = 1'-0"



**5** GATE DETAIL  
 A806 | A806 Scale: 3" = 1'-0"