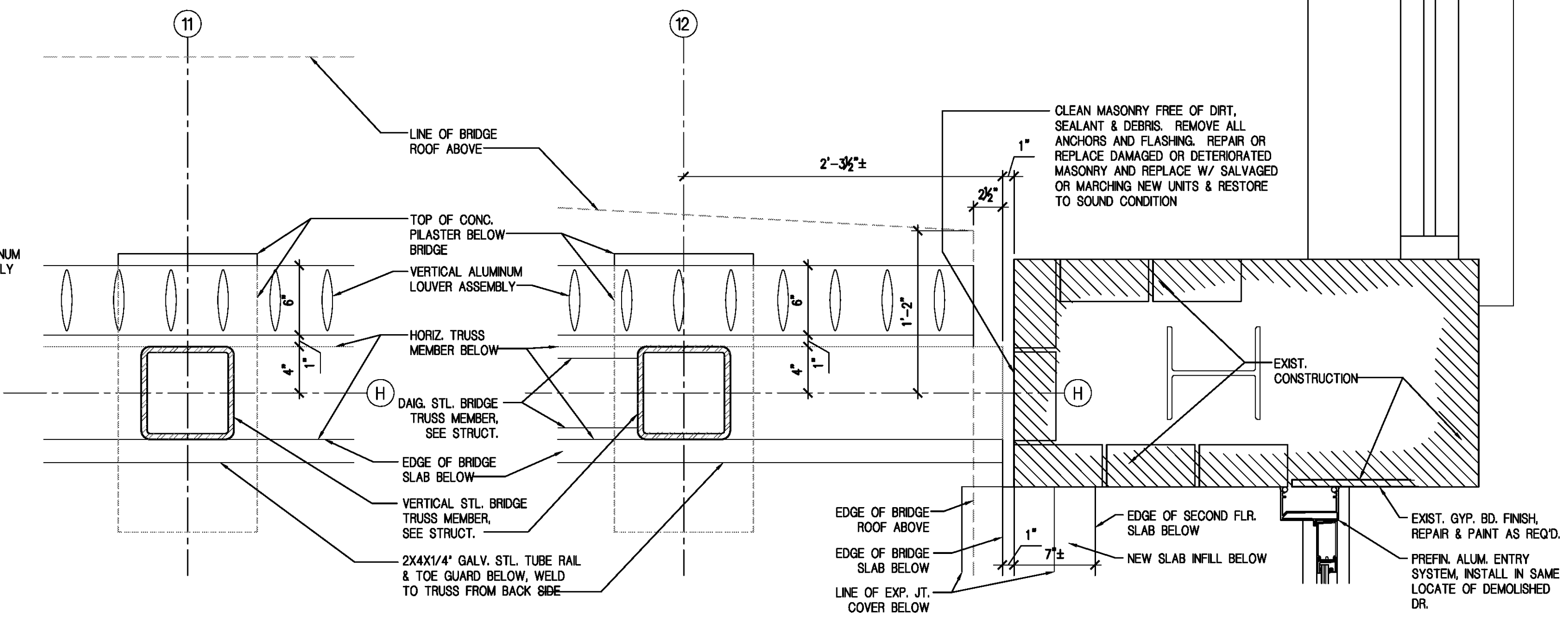
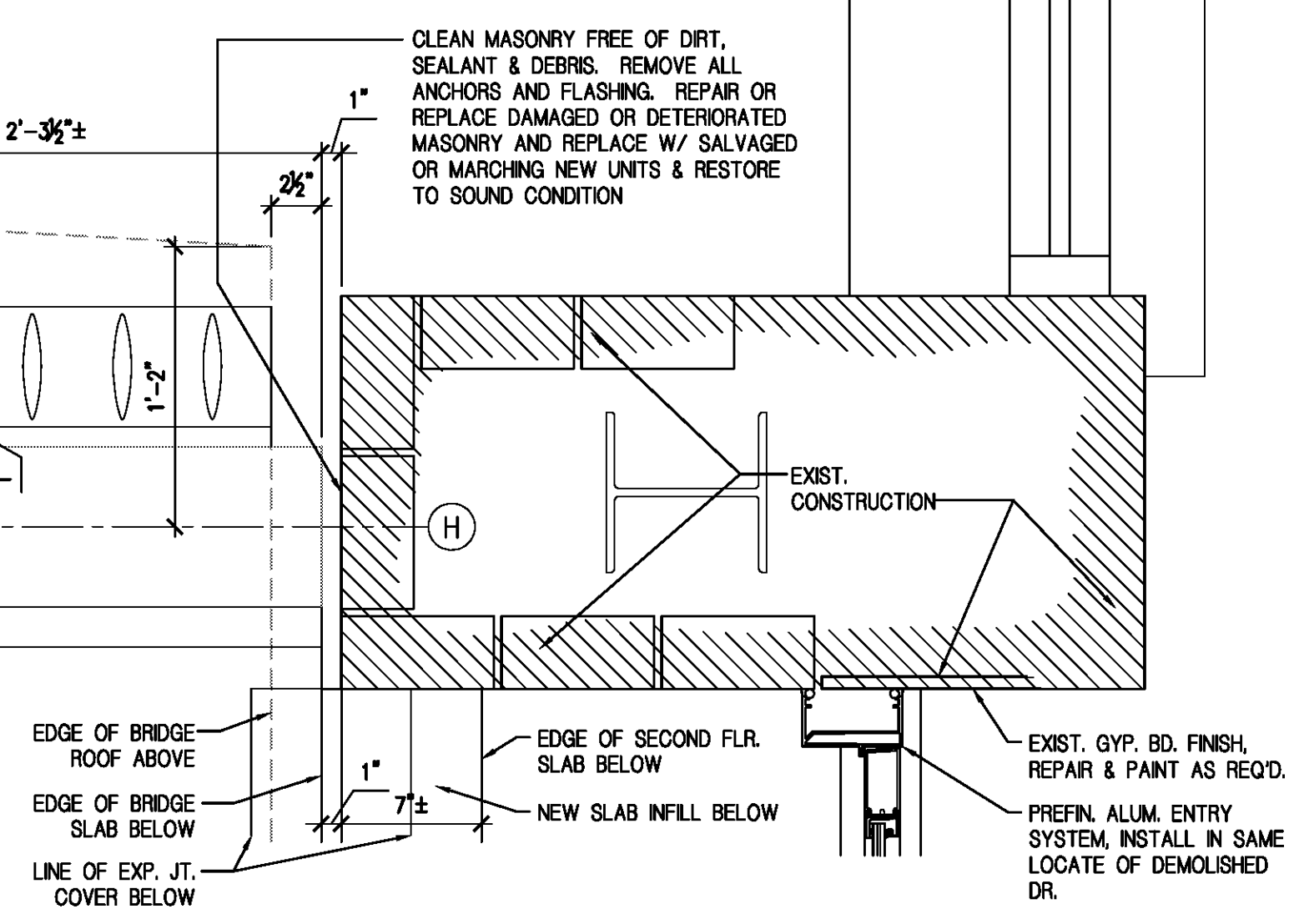


3
 A202 | A802
 EXTERIOR PLAN DETAIL
 1 1/2" = 1' - 0"



2
 A202 | A802
 EXTERIOR PLAN DETAIL
 1 1/2" = 1' - 0"



1
 A202 | A802
 EXTERIOR PLAN DETAIL
 1 1/2" = 1' - 0"

Copyright © 2009 by Waggoner & Ball Architects, APC. All rights reserved. No part of this work covered by the copyright herein may be reproduced or used in any form or by any means - graphic, electronic or mechanical, including photocopying, recording, taping or information storage and retrieval systems - without written permission of the copyright holder.

SHEET TITLE:
 PLAN DETAILS
 NEW BRIDGE

DATE: JAN 08, 2010
 DRAWN BY: MP
 REVISION:

