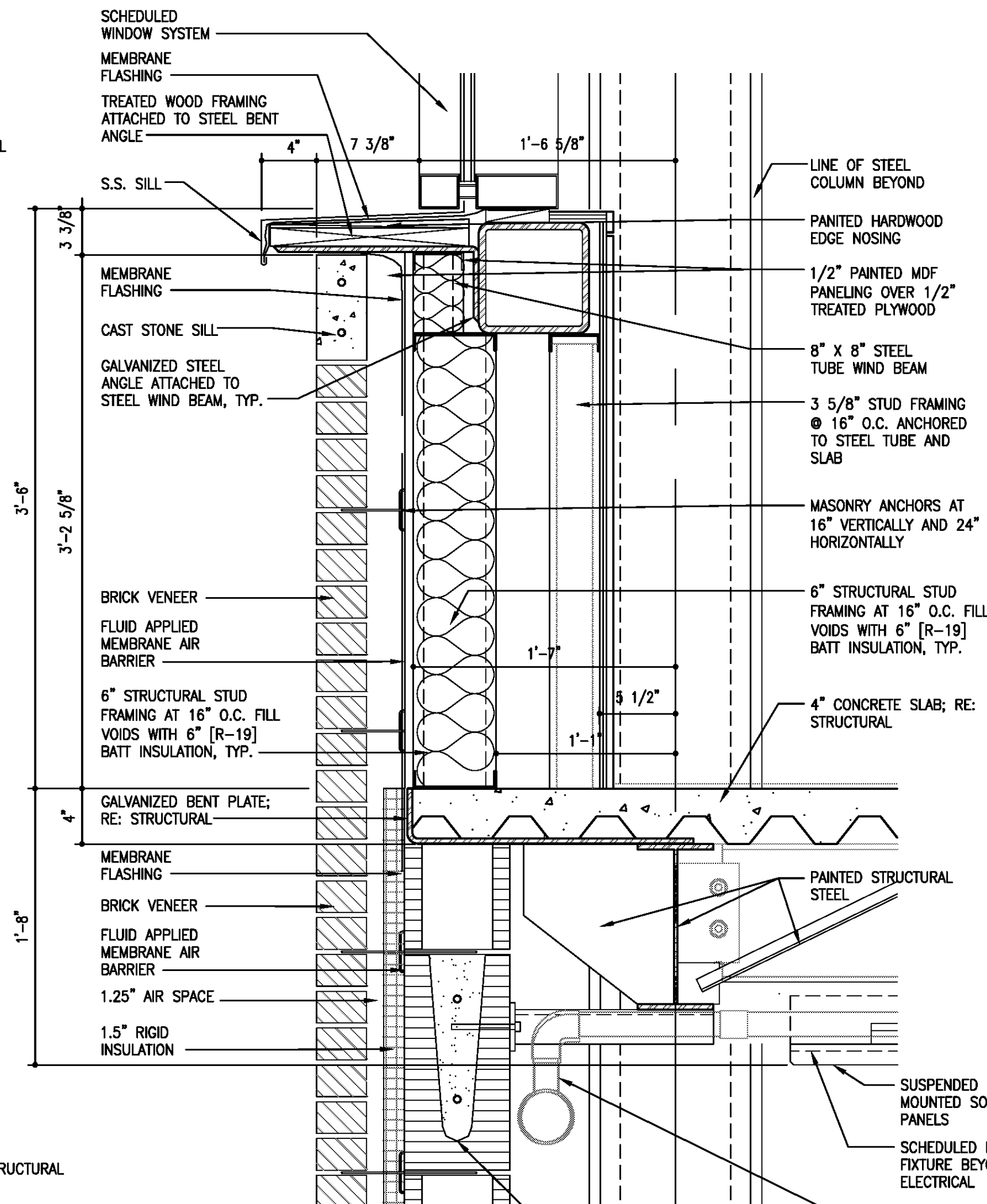
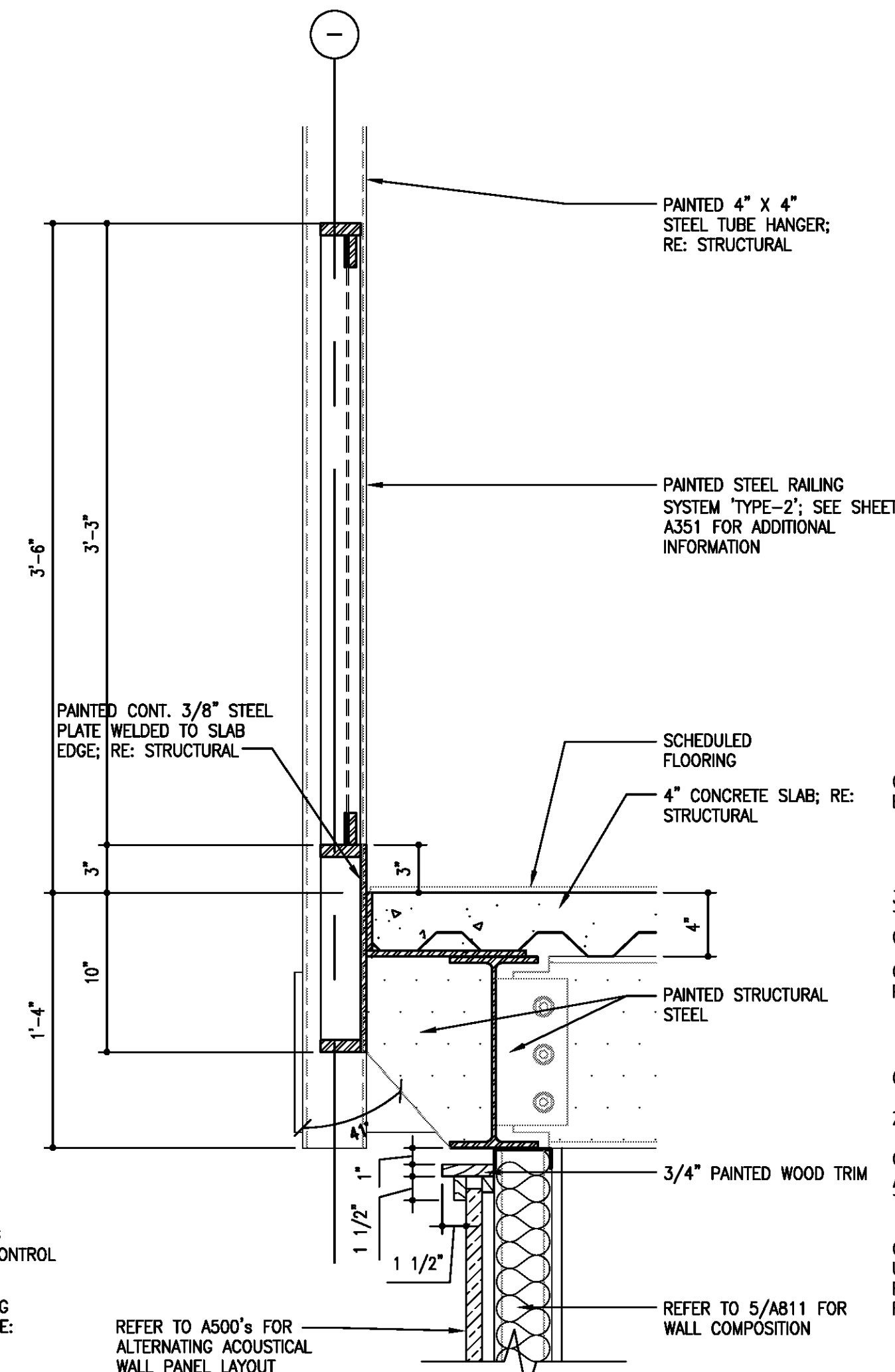


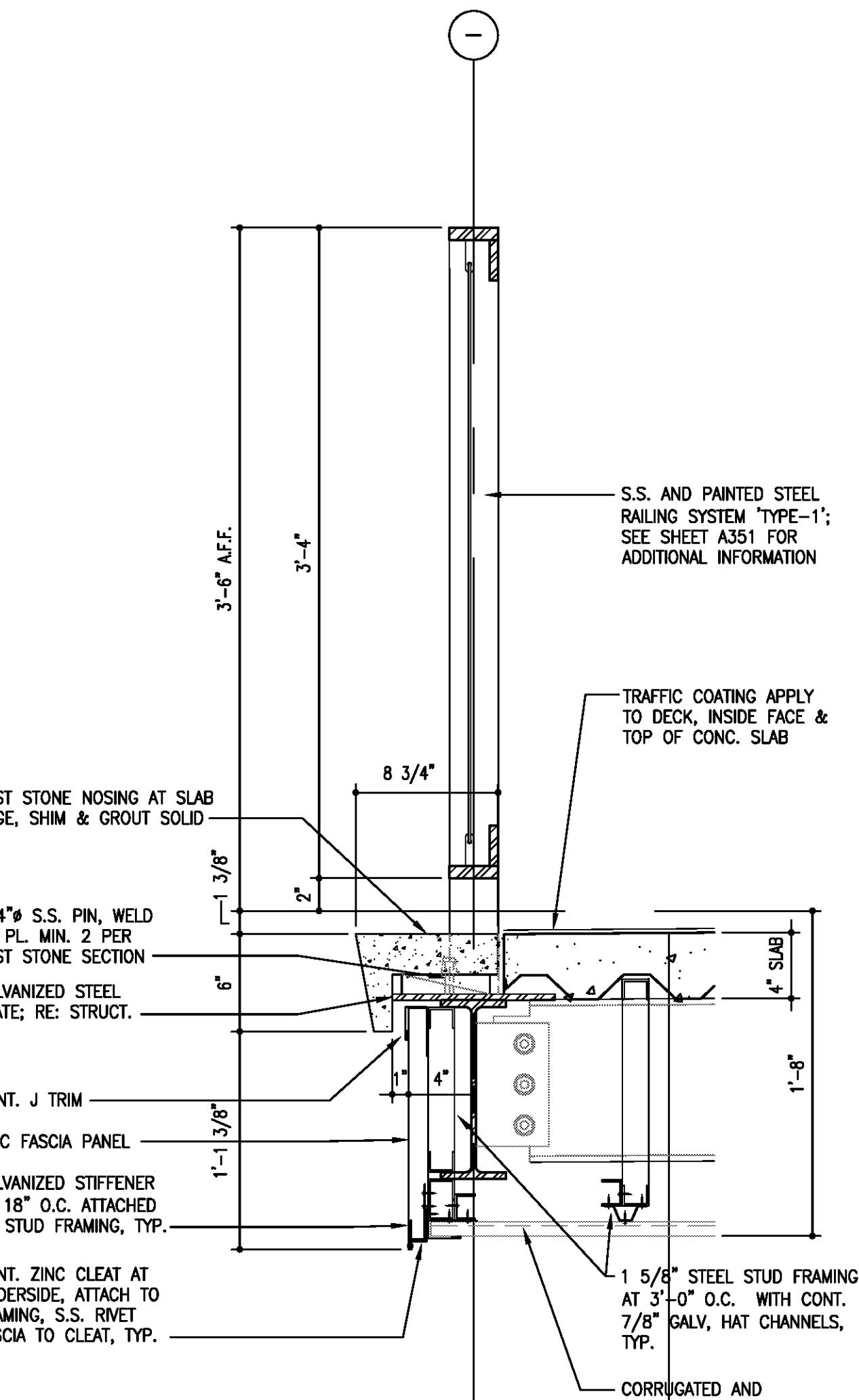
1 SECTION DETAIL
A321 | A811 1 1/2" = 1' - 0"



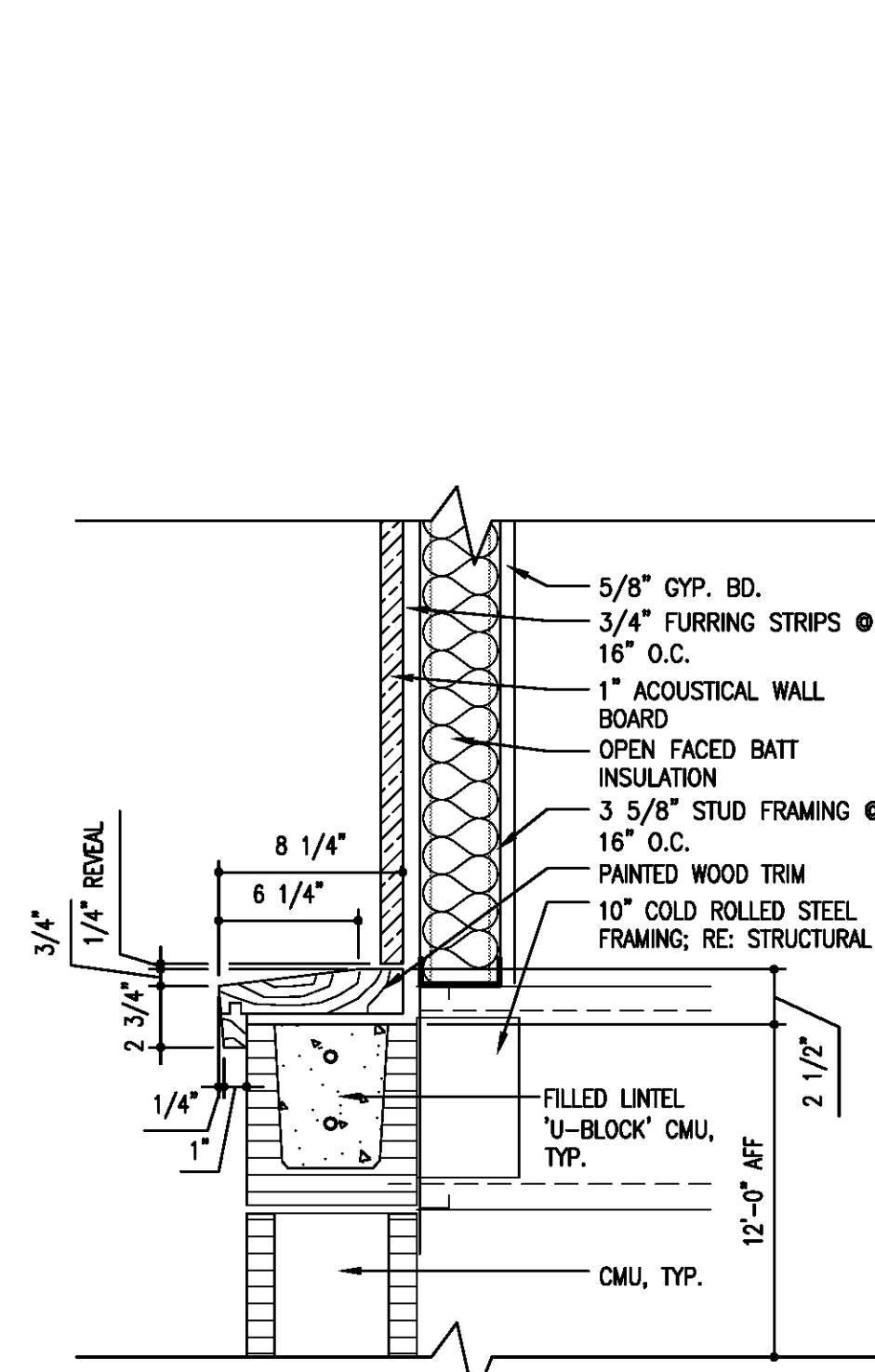
2 SECTION DETAIL
A321 | A811 1 1/2" = 1' - 0"



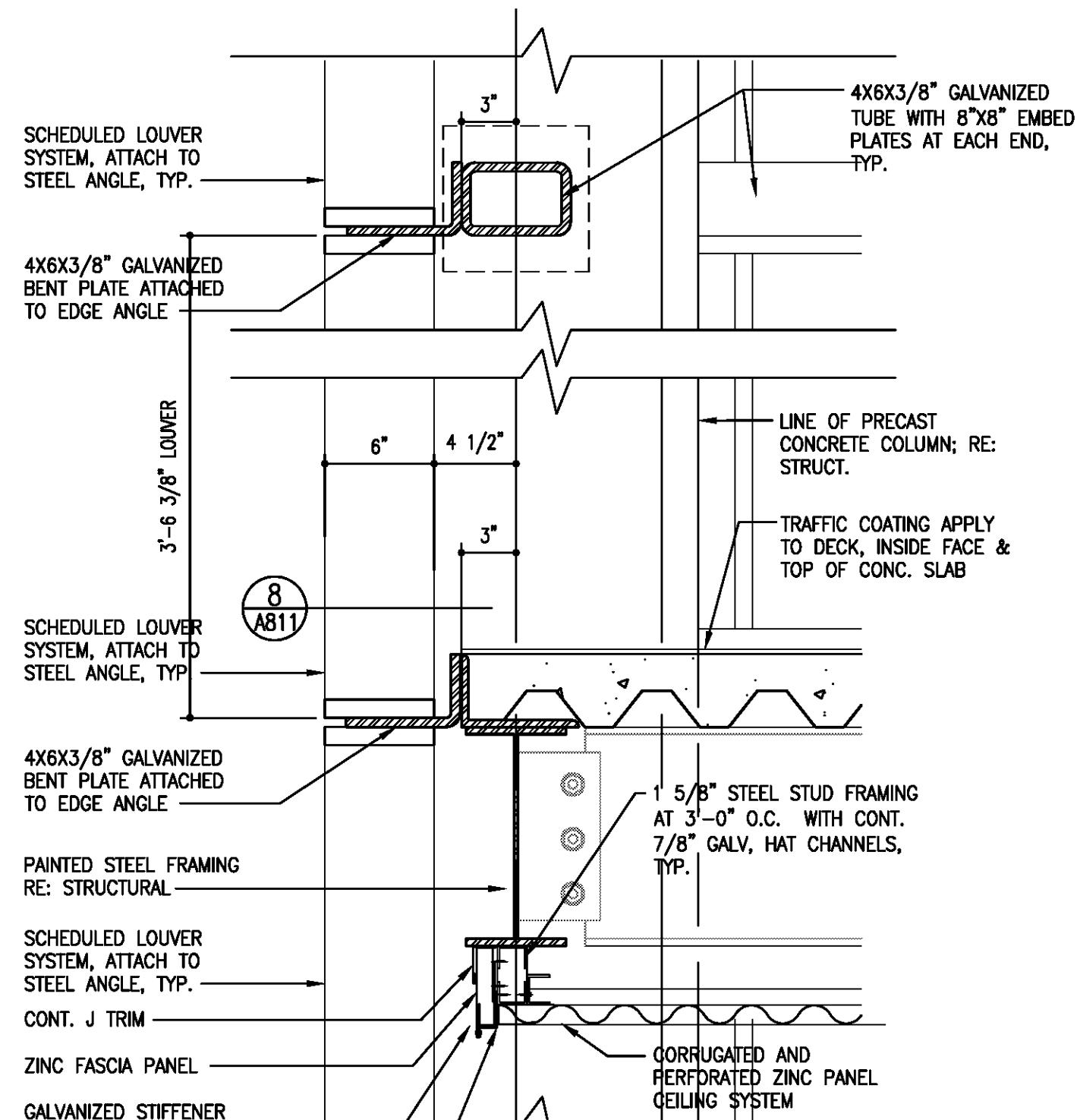
3 SECTION DETAIL
A321 | A811 1 1/2" = 1' - 0"



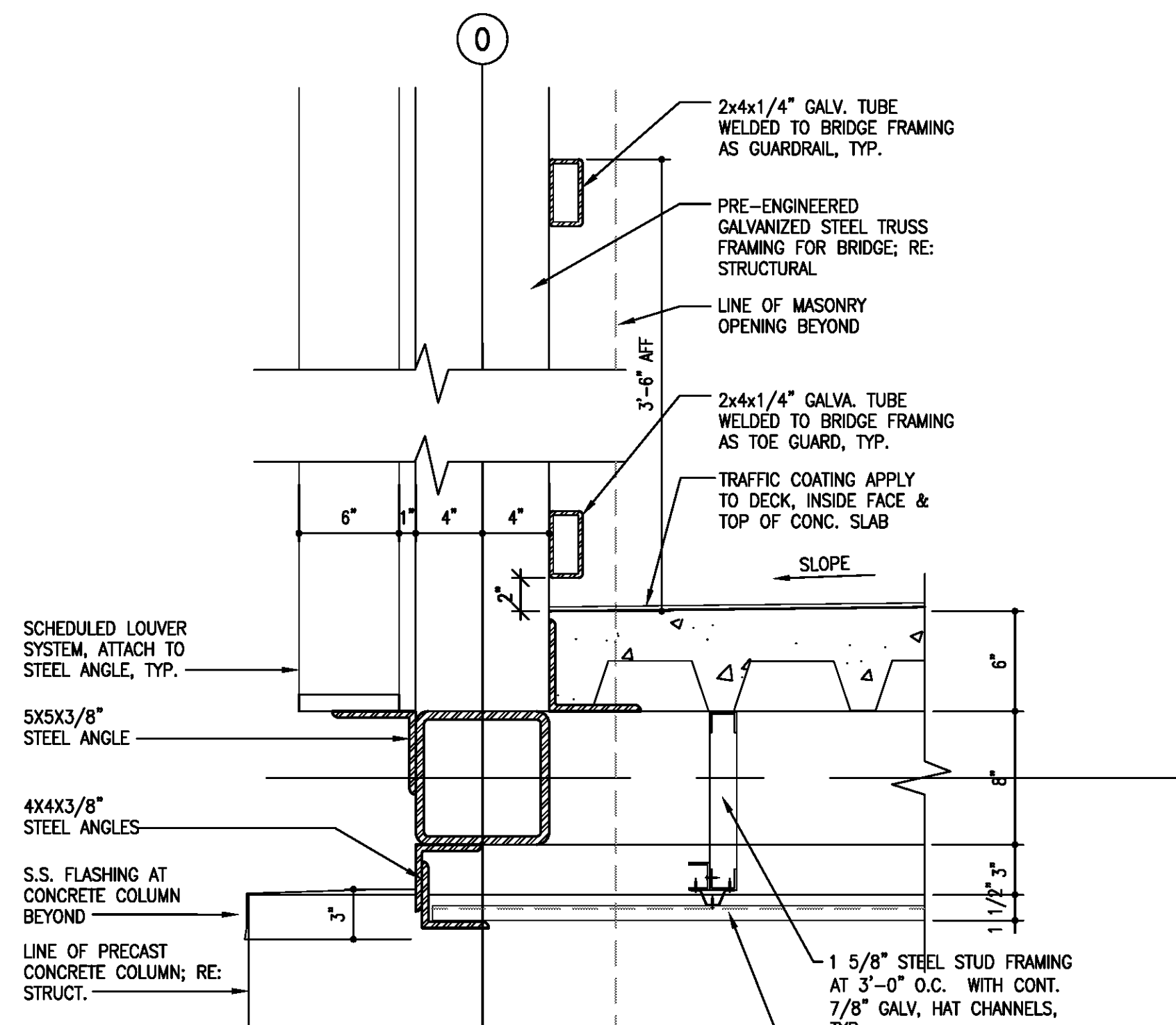
4 SECTION DETAIL
A321 | A811 1 1/2" = 1' - 0"



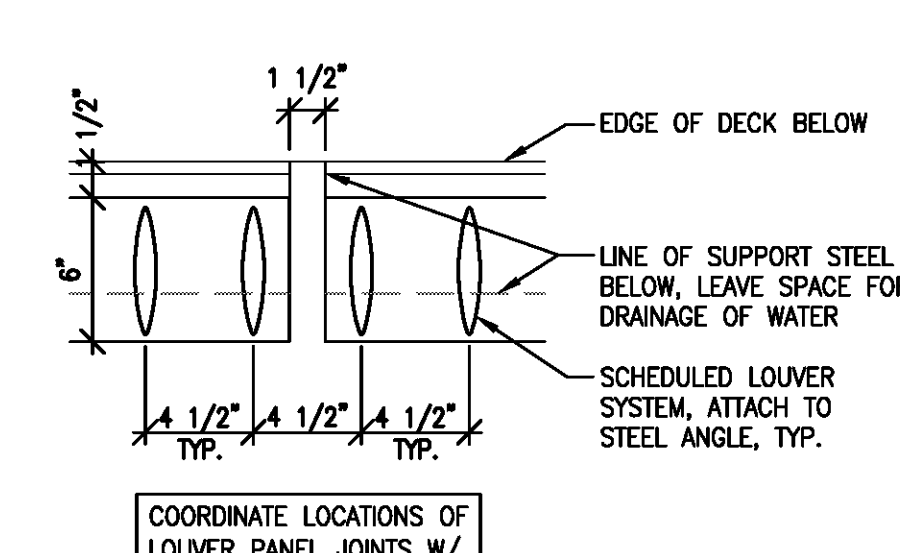
5 SECTION DETAIL
A321 | A811 1 1/2" = 1' - 0"



6 SECTION DETAIL
A321 | A811 1 1/2" = 1' - 0"



7 SECTION DETAIL
A321 | A811 1 1/2" = 1' - 0"



8 PLAN DETAIL
A811 | A811 1 1/2" = 1' - 0"

SHEET TITLE: SECTION DETAILS
NEW BUILDING

DATE: JAN 08, 2010
DRAWN BY:
REVISION:

