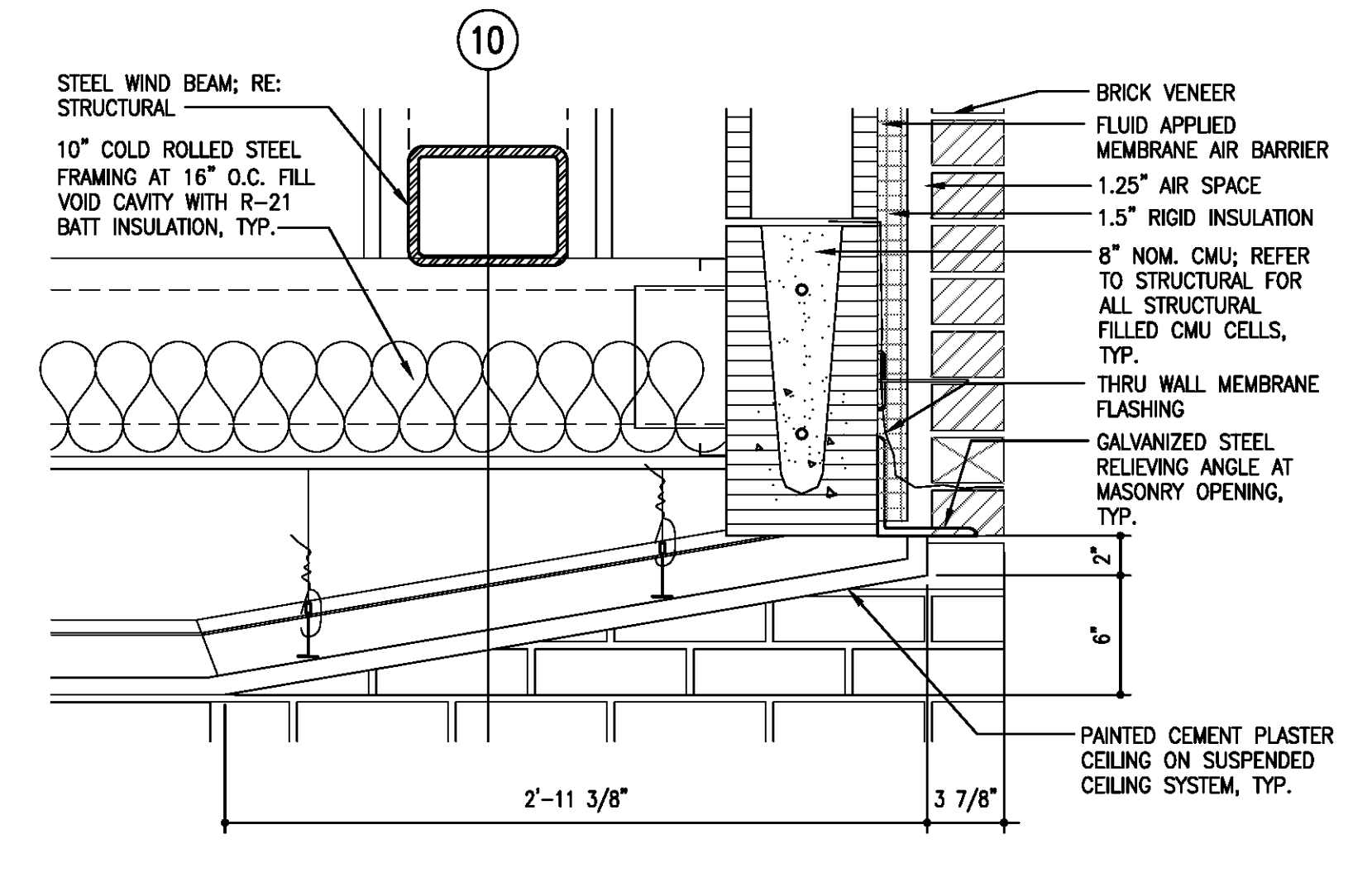
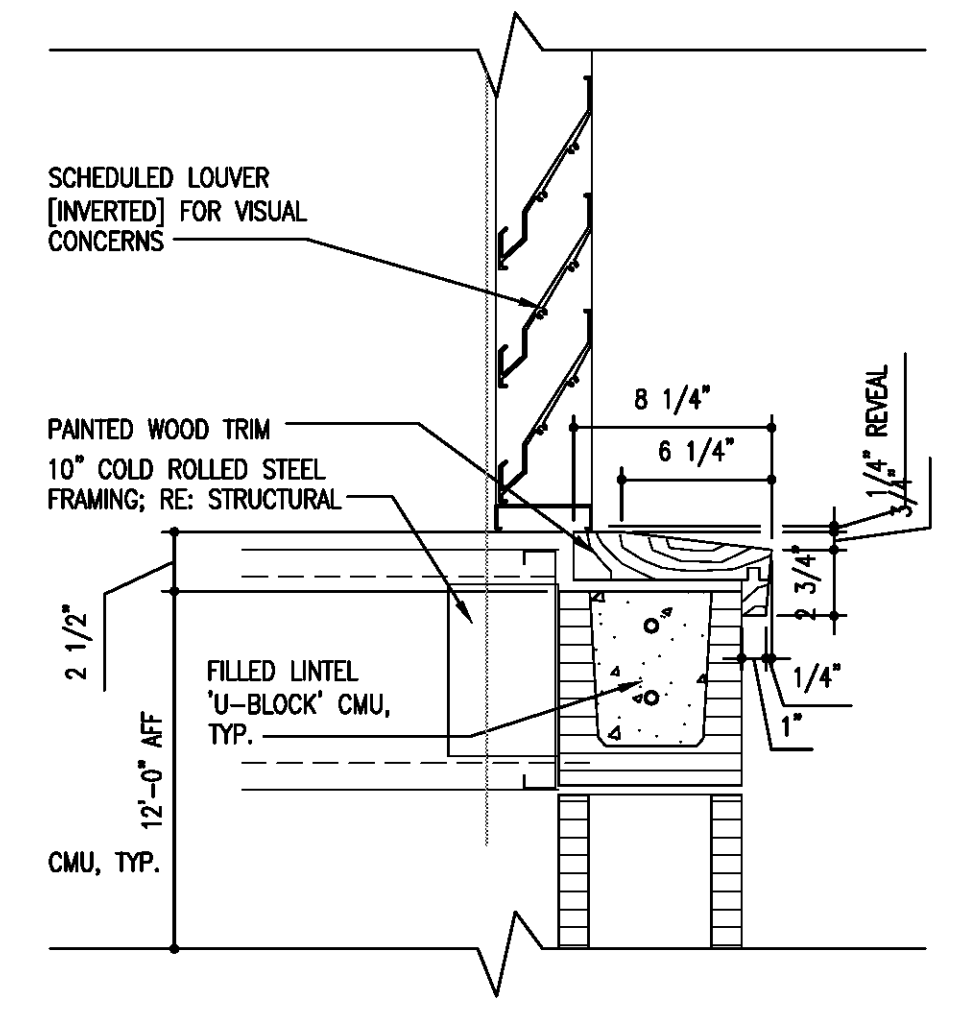


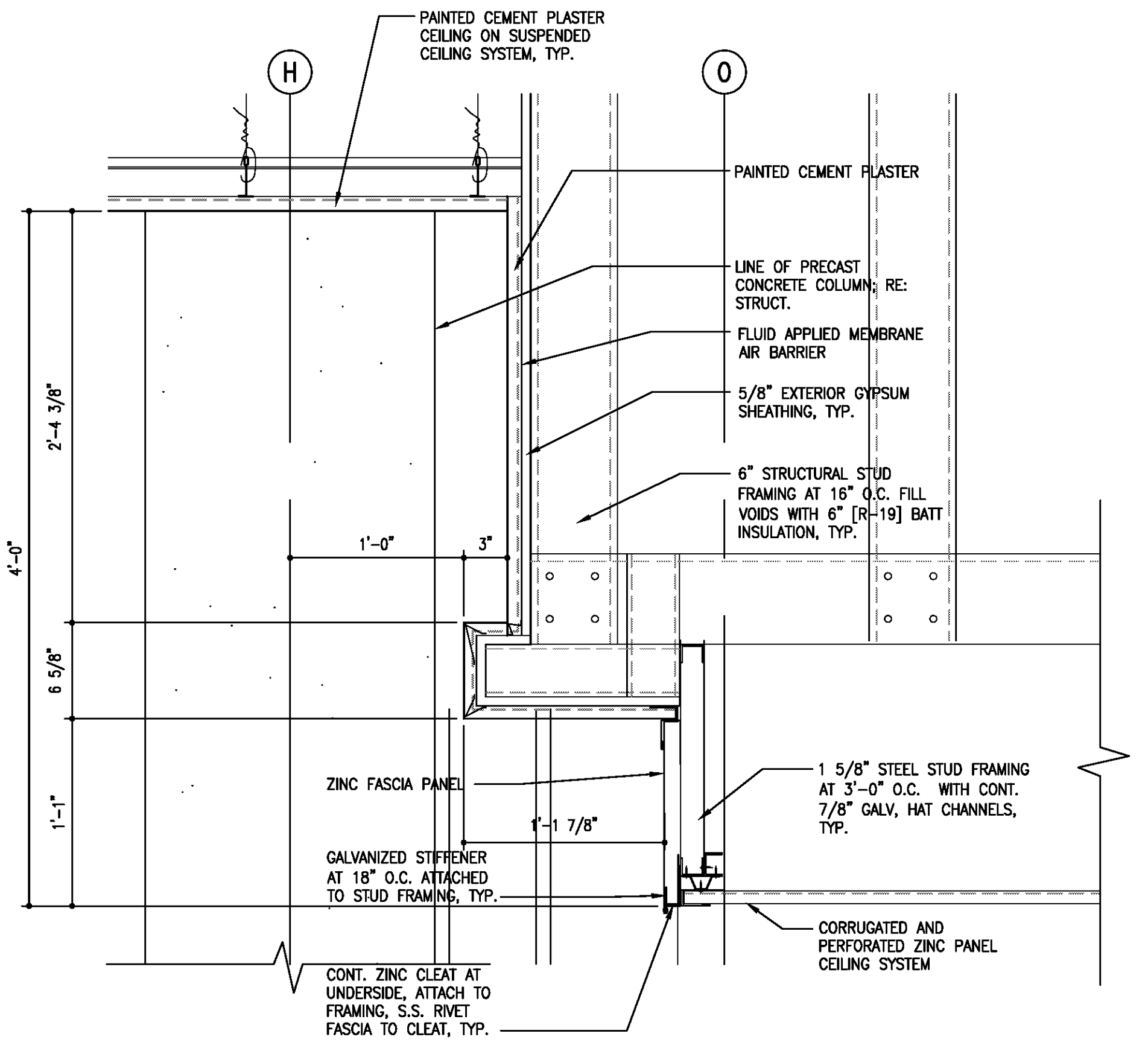
1 SECTION DETAIL @ SOUTH STAIR
 A321 | A812 1 1/2" = 1' - 0"



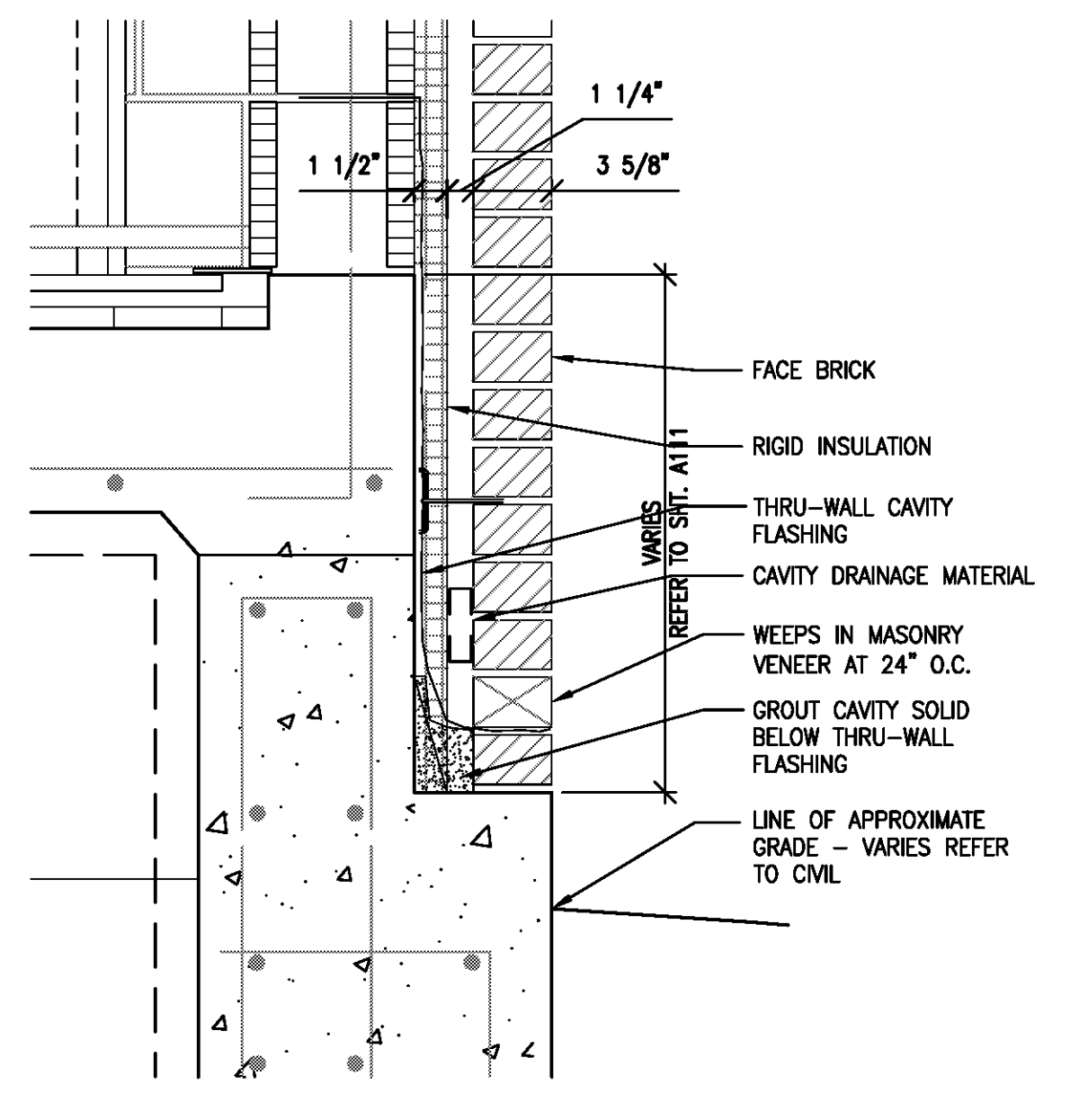
2 SECTION DETAIL @ PLASTER CEILING
 A321 | A812 1 1/2" = 1' - 0"



3 SECTION DETAIL
 A321 | A812 1 1/2" = 1' - 0"



4 SECTION DETAIL @ PLASTER CEILING TRANSITION
 A321 | A812 1 1/2" = 1' - 0"



5 TYPICAL SECTION DETAIL @ BRICK LEDGE
 A321 | A812 1 1/2" = 1' - 0"

SHEET TITLE: SECTION DETAILS
 NEW BUILDING

DATE: JAN 08, 2010
 DRAWN BY:
 REVISION:

