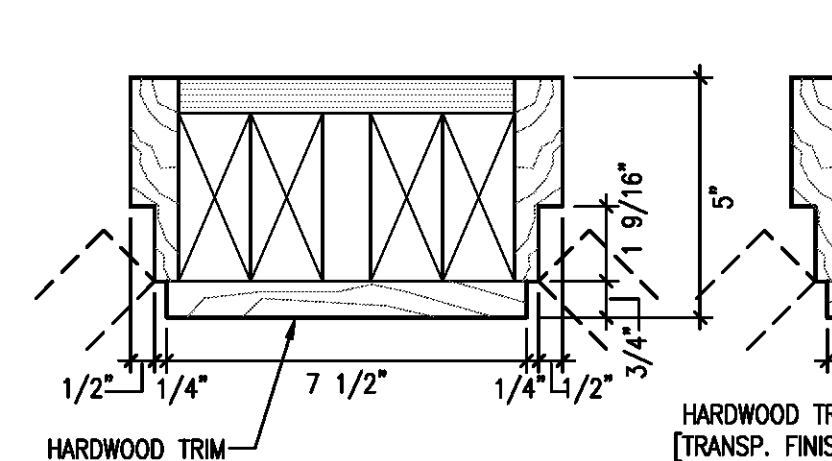
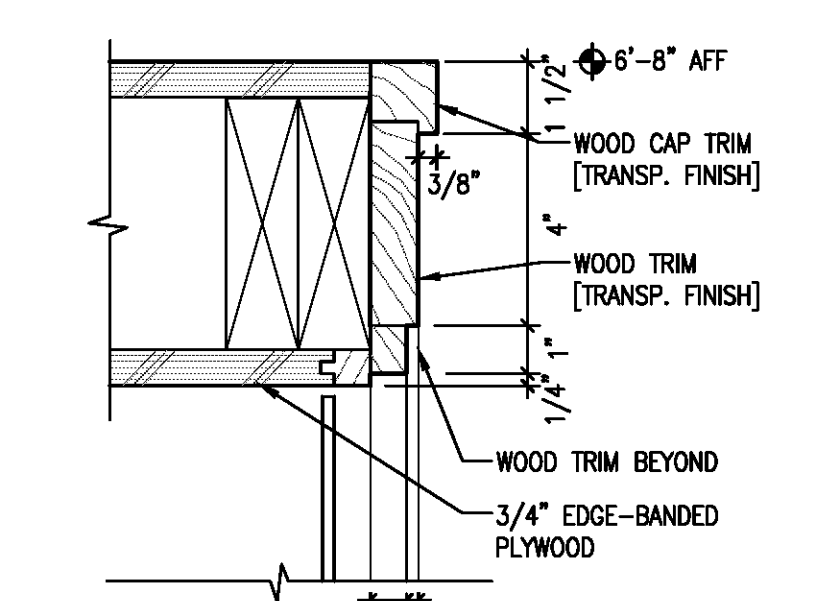


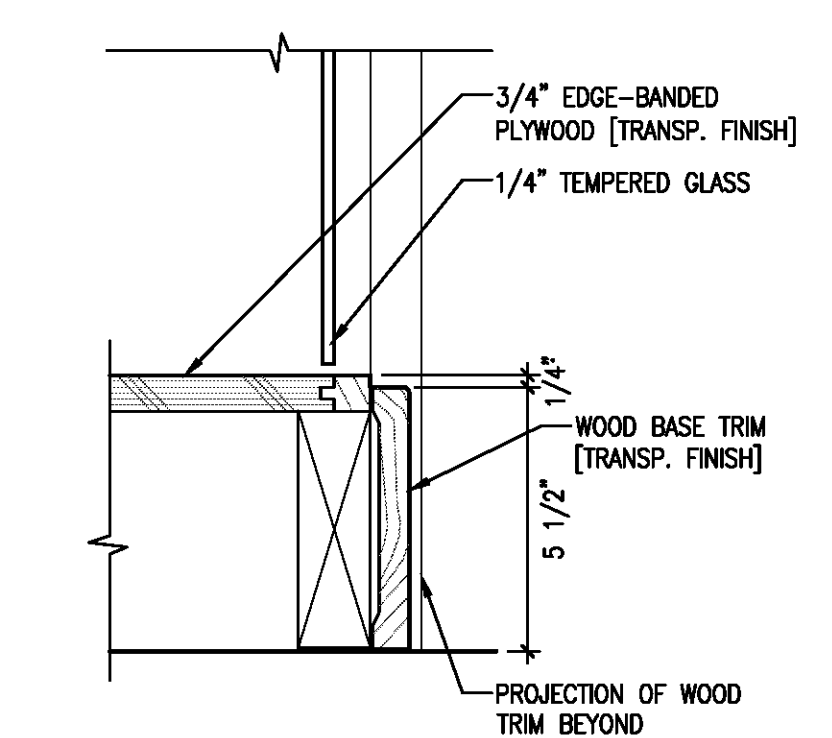
20 PLAN DETAIL
A203 | A912 Scale: 3" = 1'-0"
A511



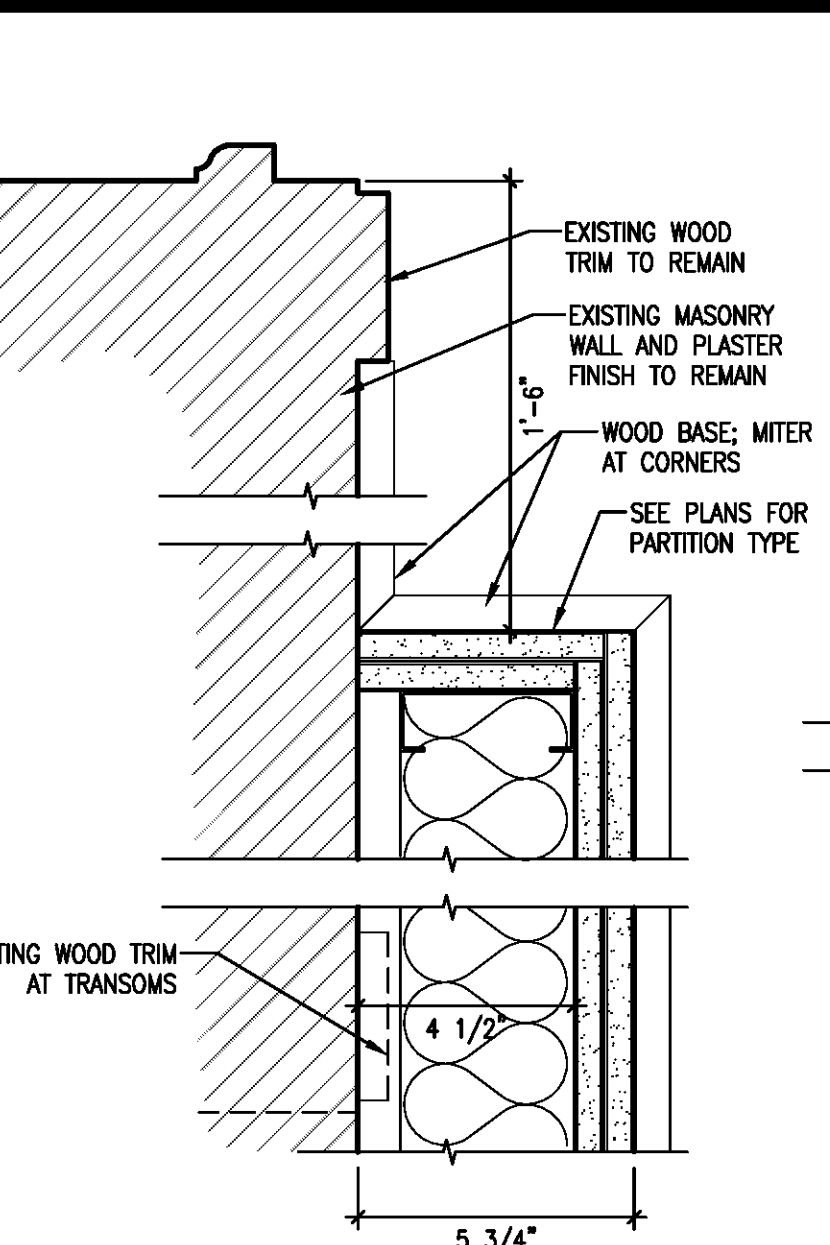
19 PLAN DETAIL
A203 | A912 Scale: 3" = 1'-0"
A511



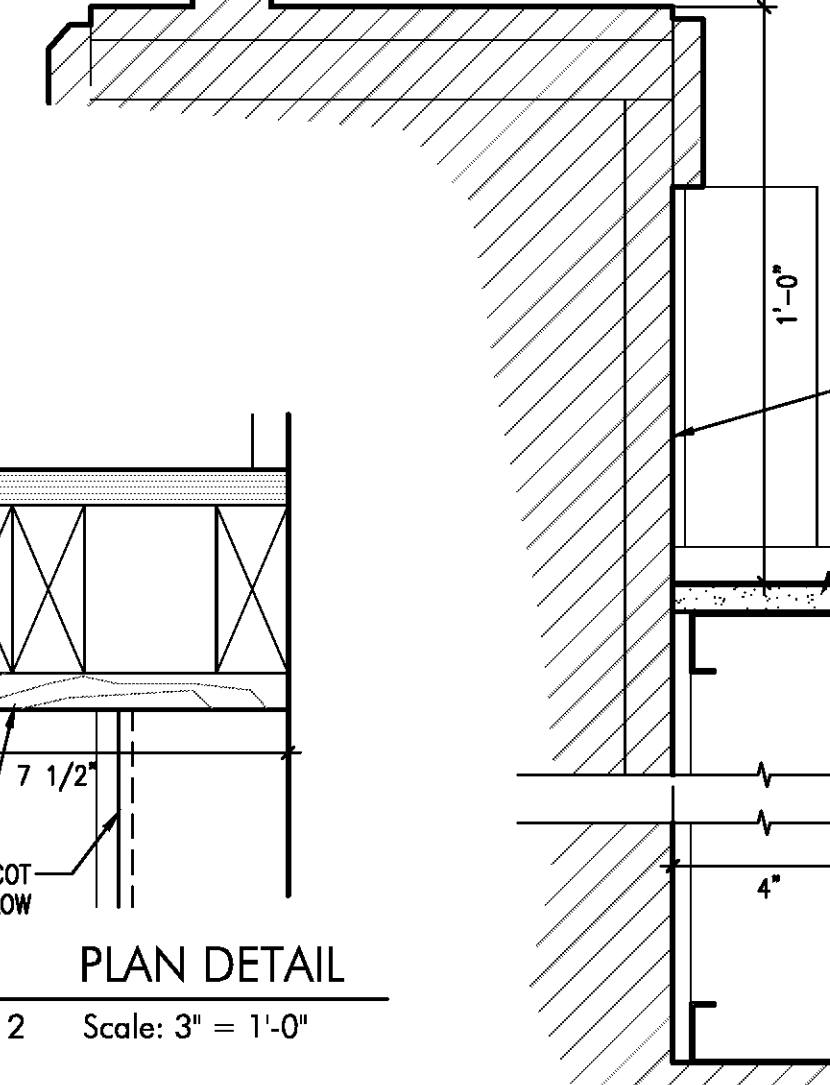
17 HEAD DETAIL at Trophy Case
A511 | A912 Scale: 3" = 1'-0"



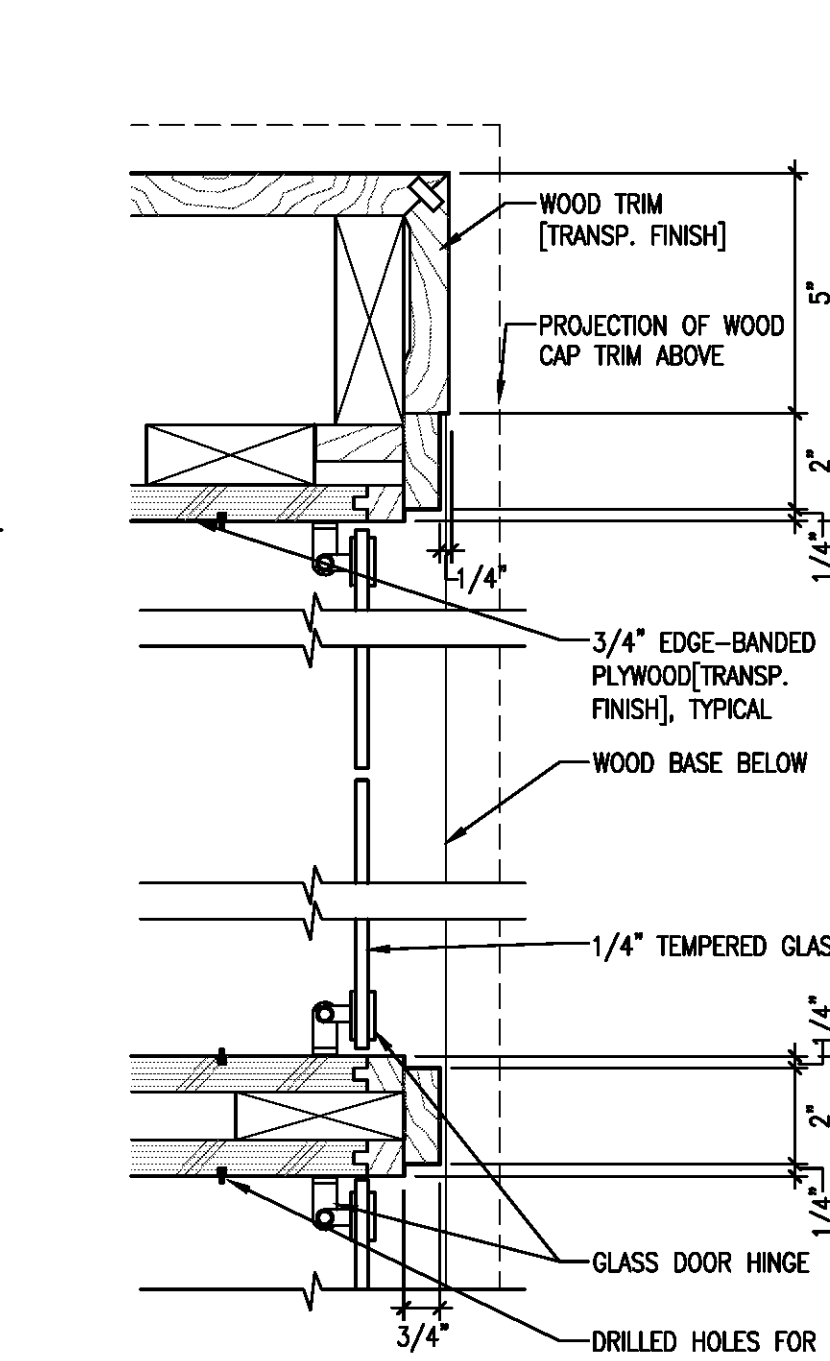
16 BASE DETAIL at Trophy Case
A511 | A912 Scale: 3" = 1'-0"



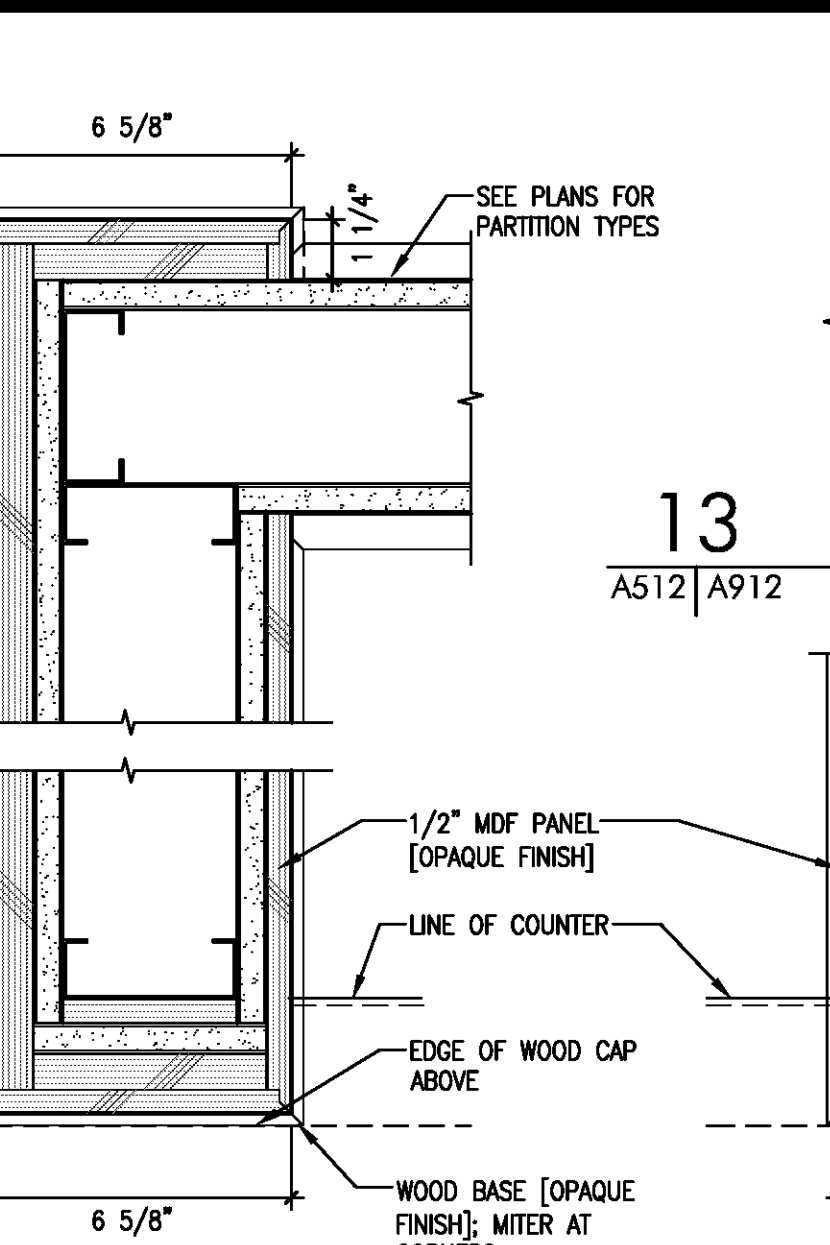
15 PLAN DETAIL
A203 | A912 Scale: 3" = 1'-0"



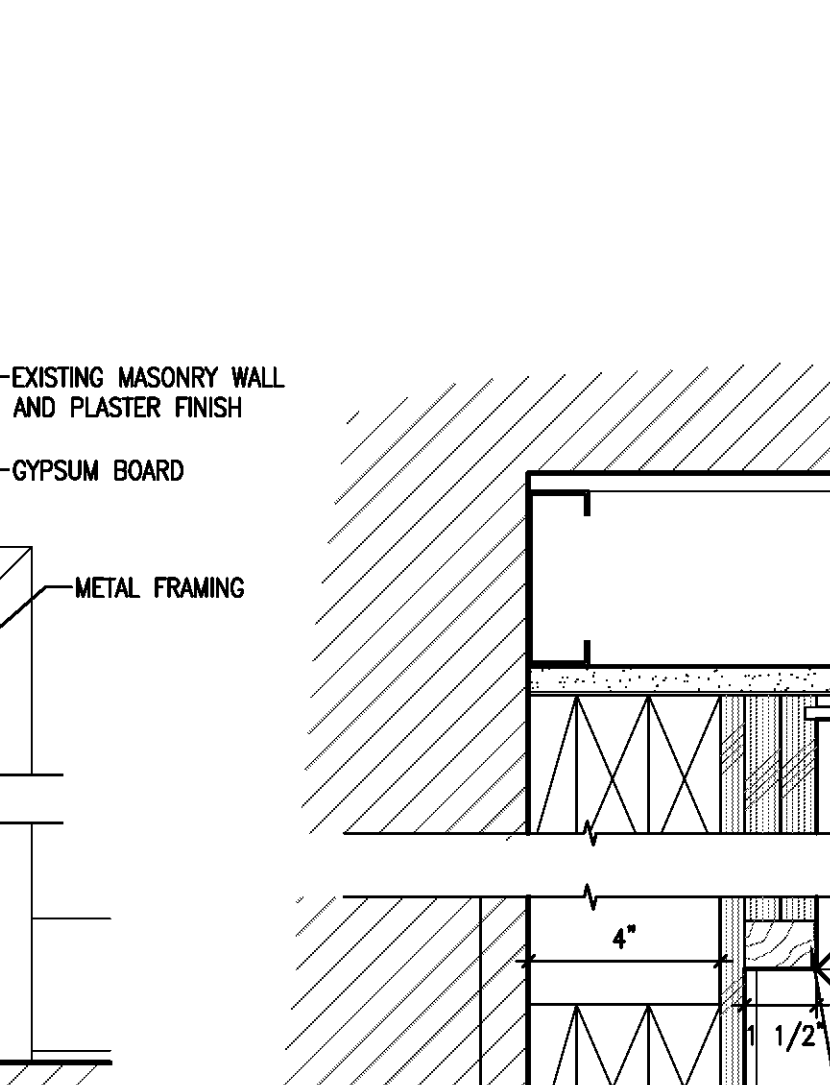
14 PLAN DETAIL
A203 | A912 Scale: 3" = 1'-0"
A511



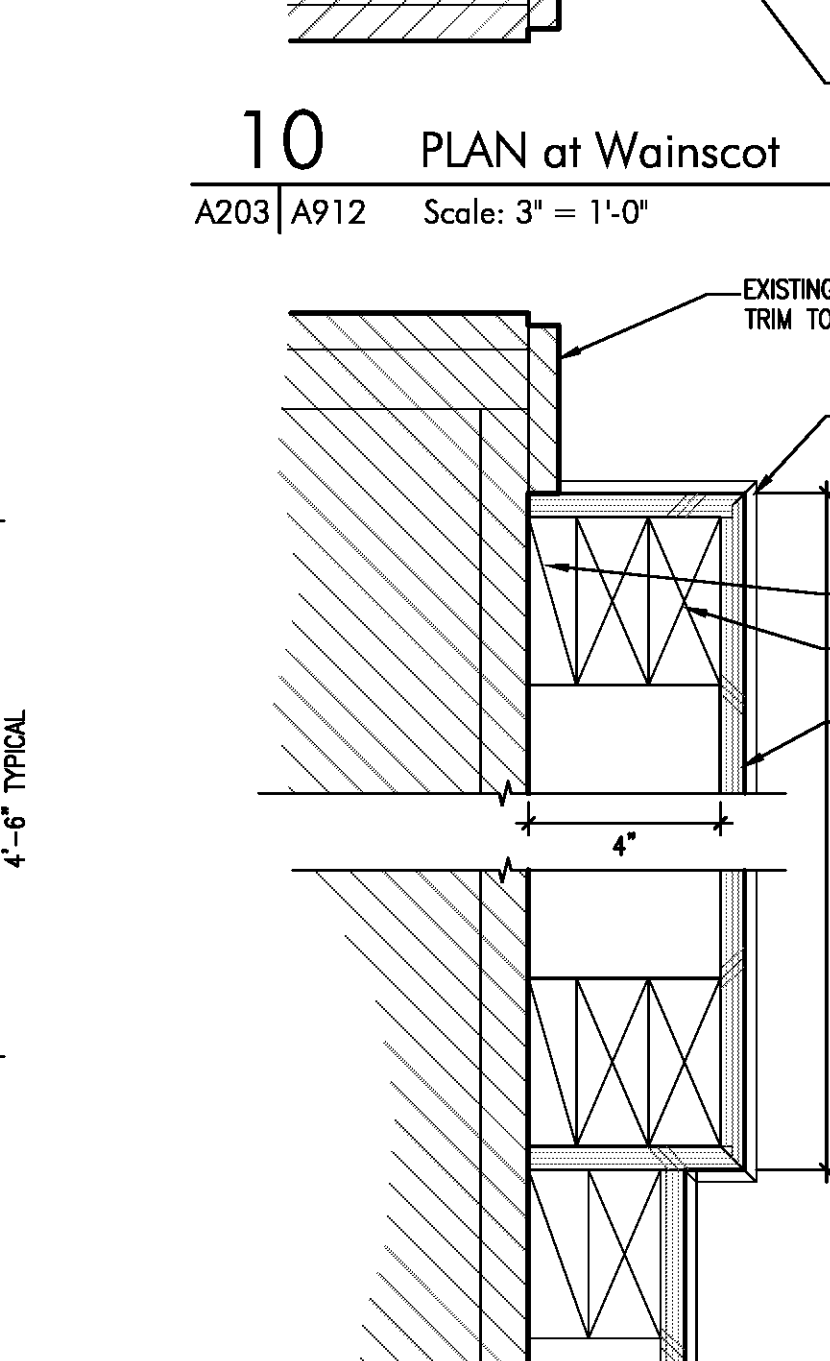
15 PLAN DETAIL at Trophy Case
A511 | A912 Scale: 3" = 1'-0"



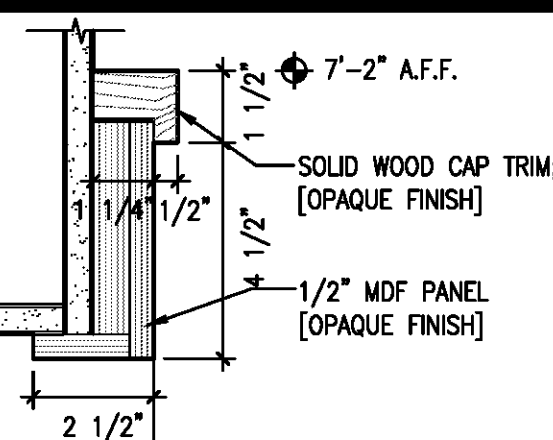
12 PLAN DETAIL at Trim
A412 | A912 Scale: 3" = 1'-0"



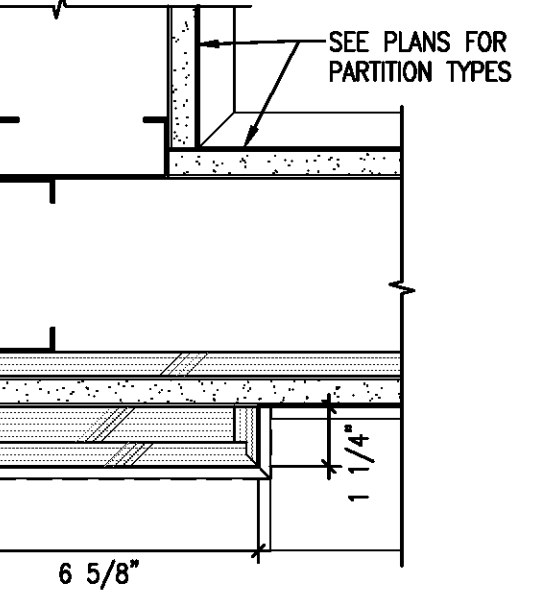
10 PLAN at Wainscot
A203 | A912 Scale: 3" = 1'-0"



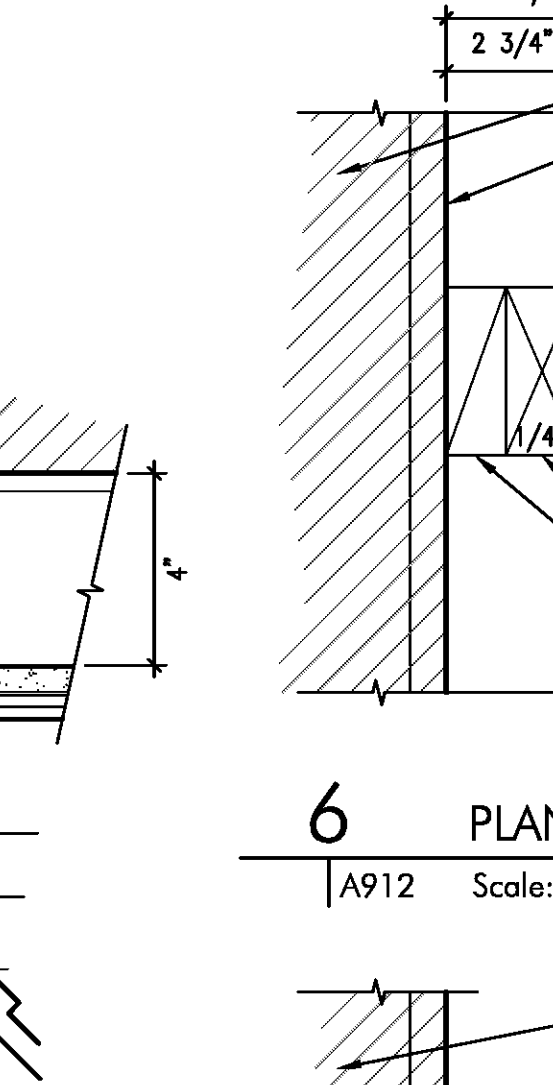
9 PLAN at Wainscot
A203 | A912 Scale: 3" = 1'-0"
A511



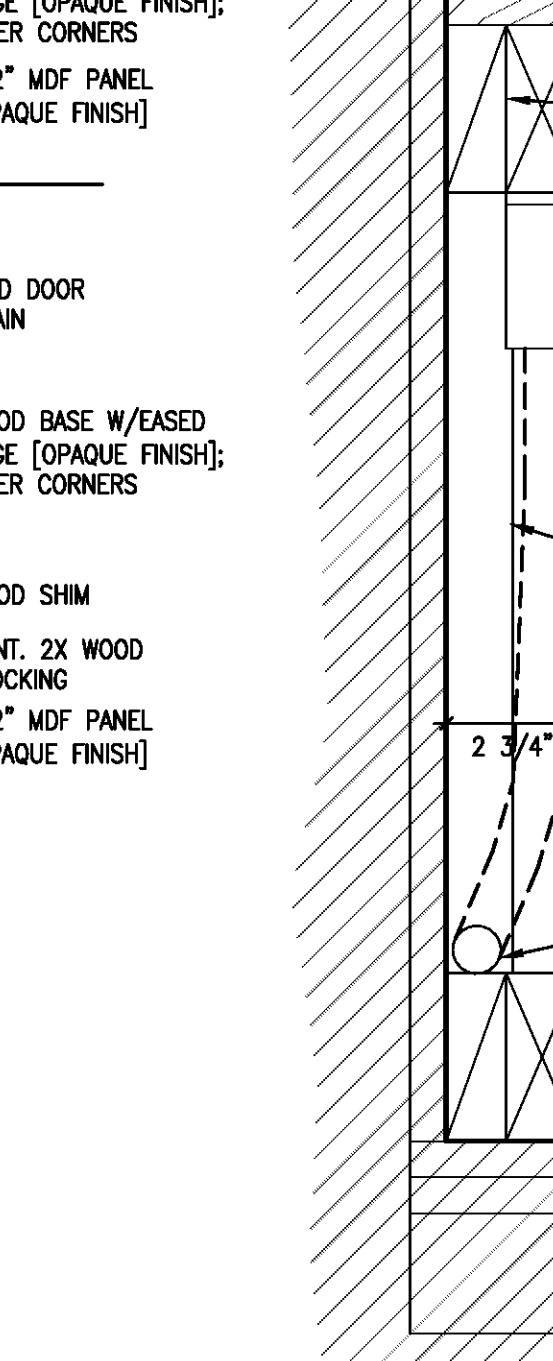
13 SECTION DETAIL at Trim
A512 | A912 Scale: 3" = 1'-0"



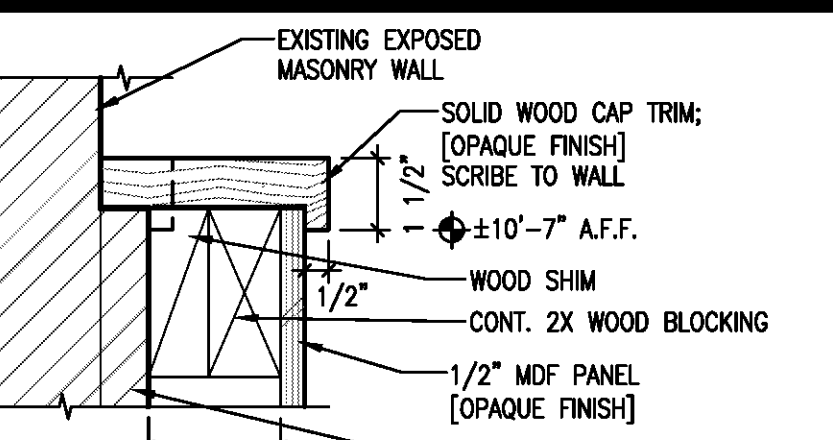
11 PLAN DETAIL at Wood Trim
A412 | A912 Scale: 3" = 1'-0"



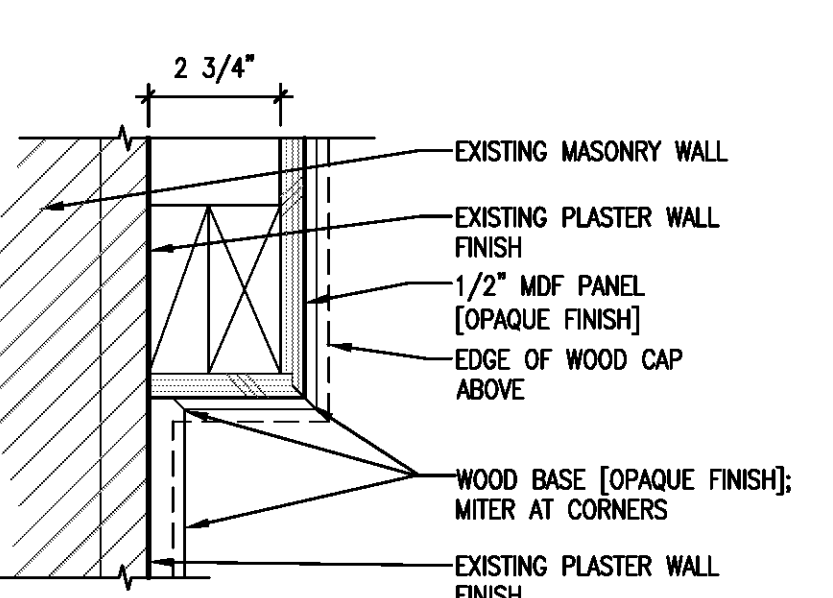
6 PLAN DETAIL at Wainscot
A912 Scale: 3" = 1'-0"



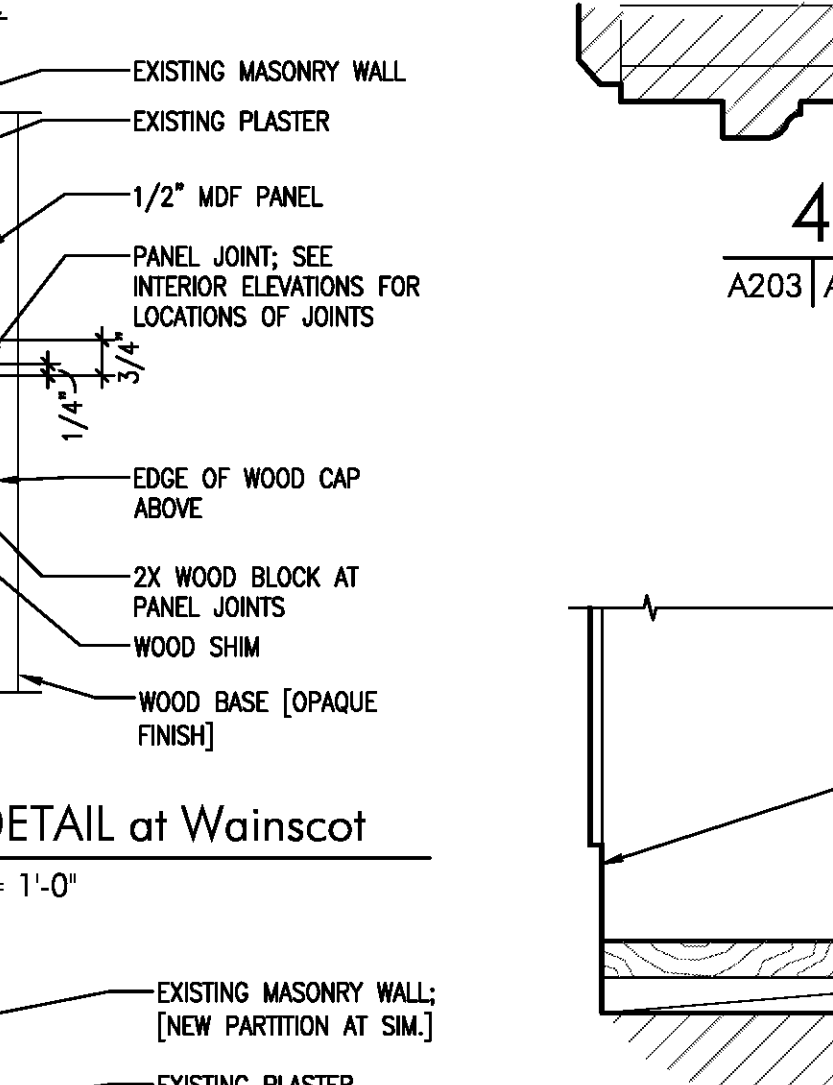
5 SECTION at Wainscot
A912 Scale: 3" = 1'-0"



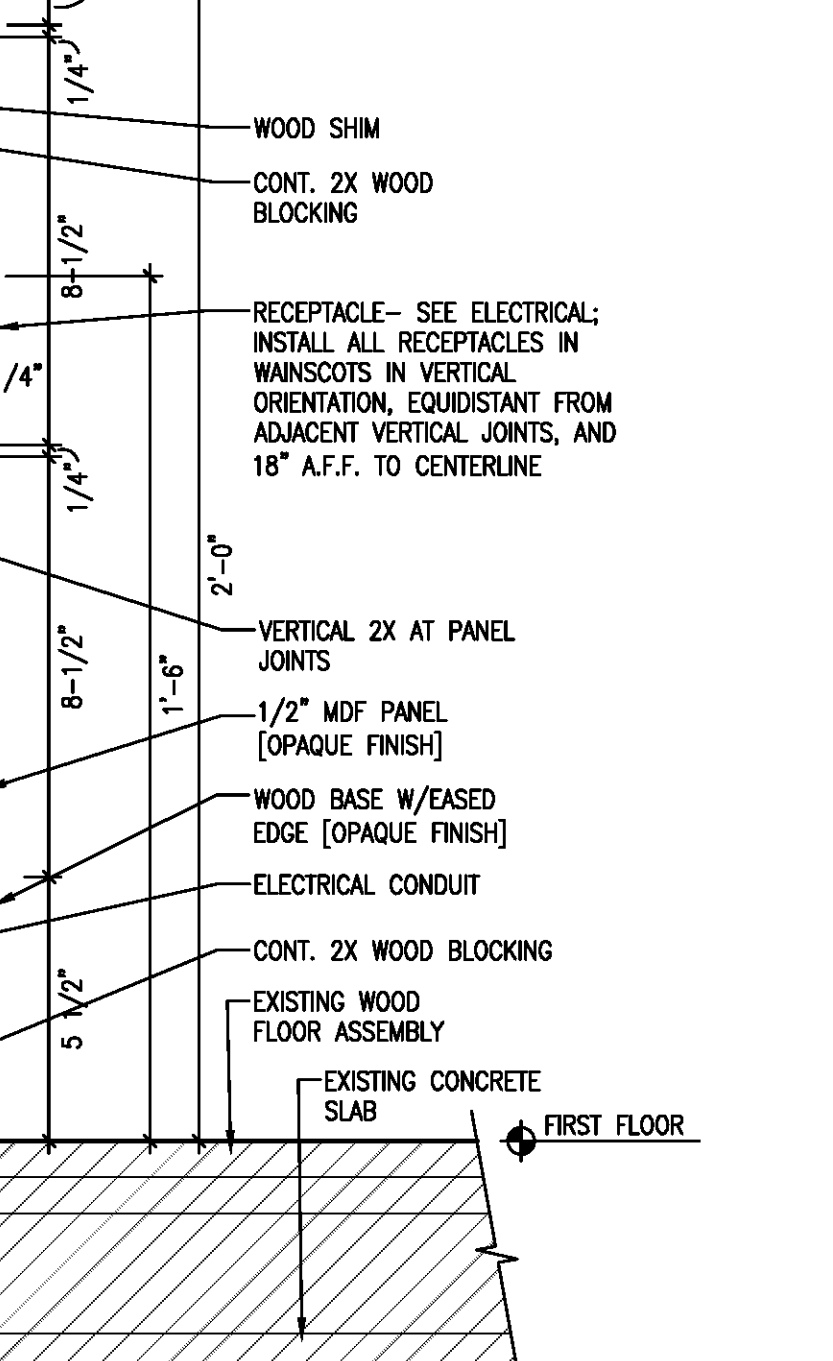
8 SECTION DETAIL at Wainscot
A912 Scale: 3" = 1'-0"



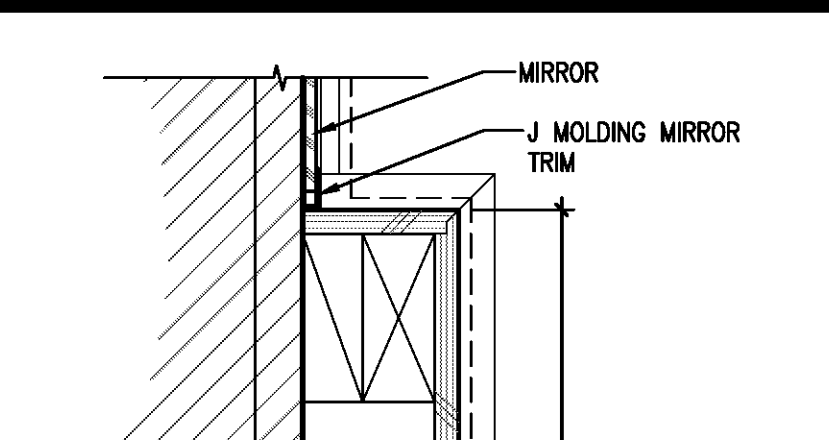
7 PLAN DETAIL at Wainscot
A203 | A912 Scale: 3" = 1'-0"



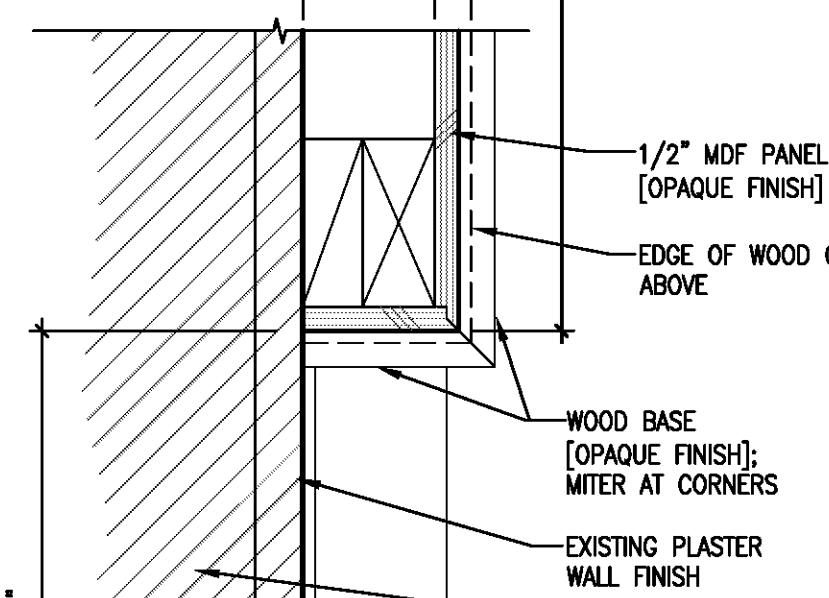
6 PLAN DETAIL at Wainscot
A912 Scale: 3" = 1'-0"



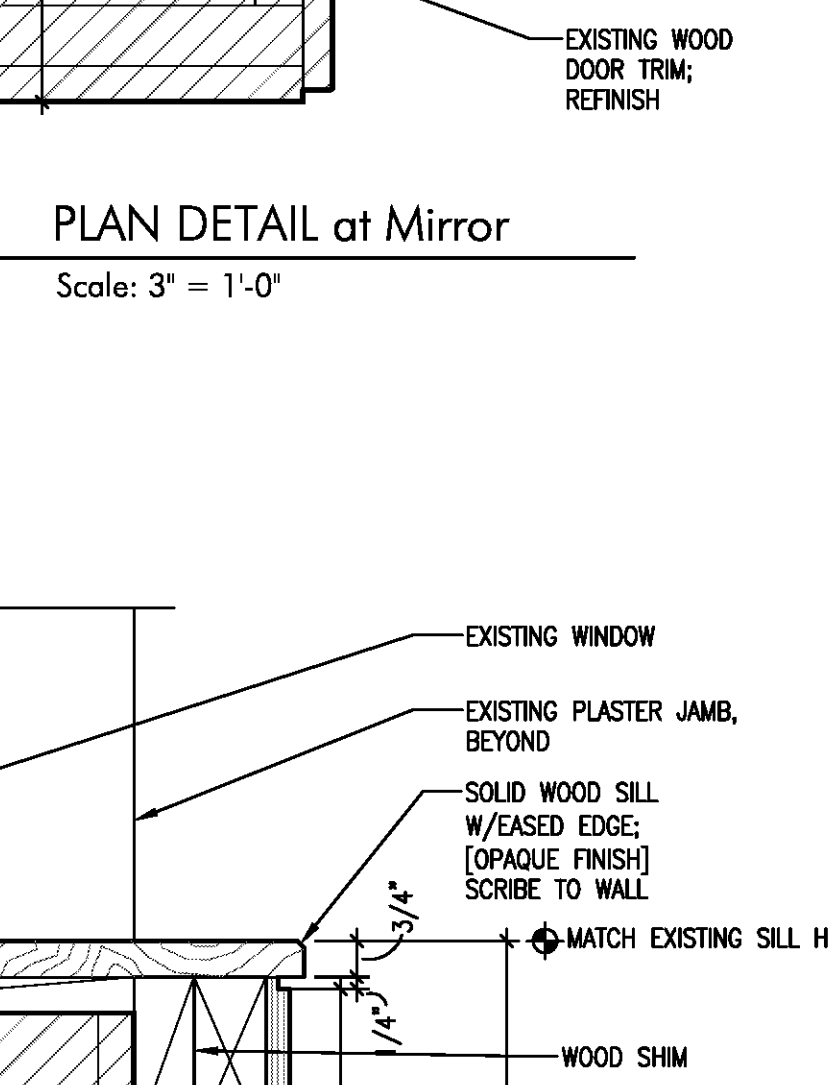
5 SECTION at Wainscot
A912 Scale: 3" = 1'-0"



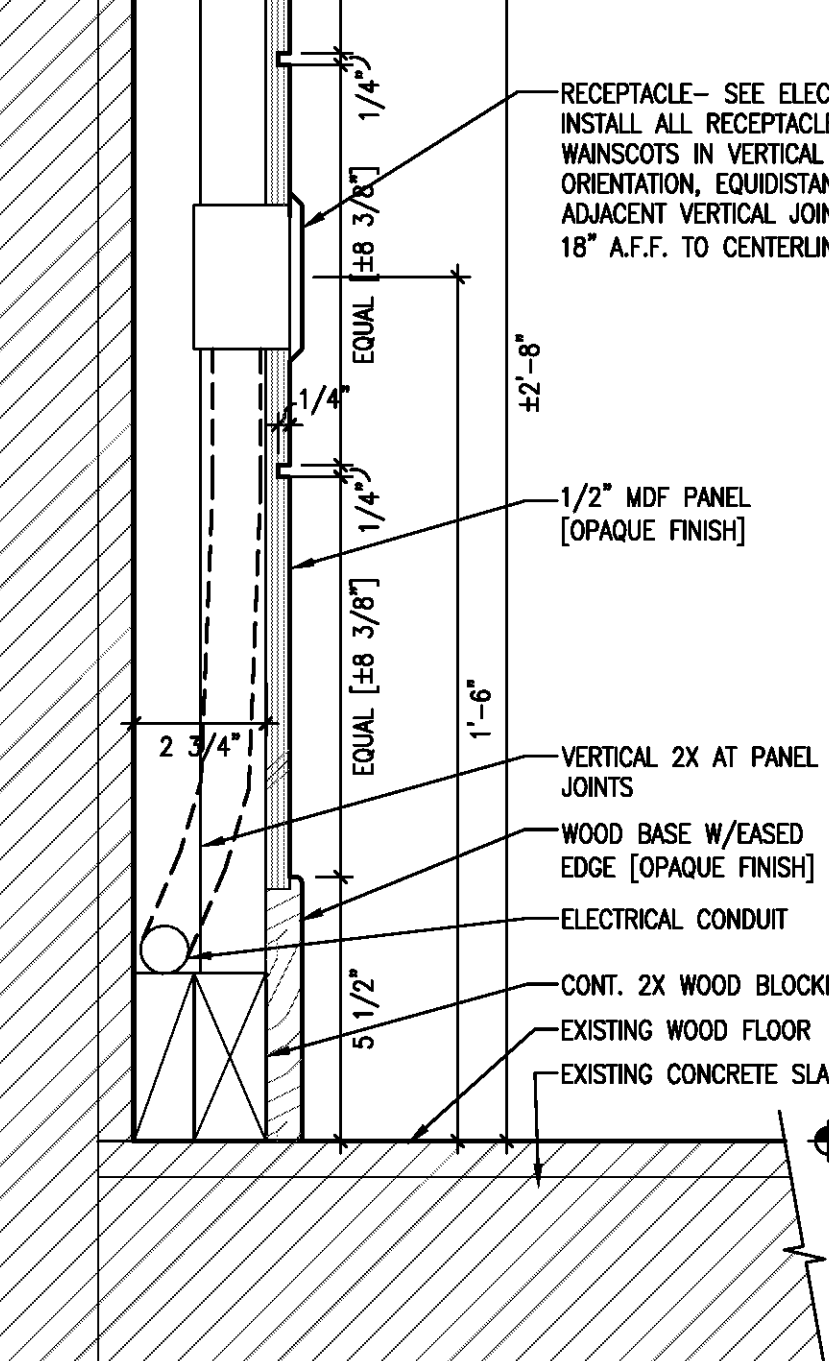
4 PLAN DETAIL at Mirror
A203 | A912 Scale: 3" = 1'-0"



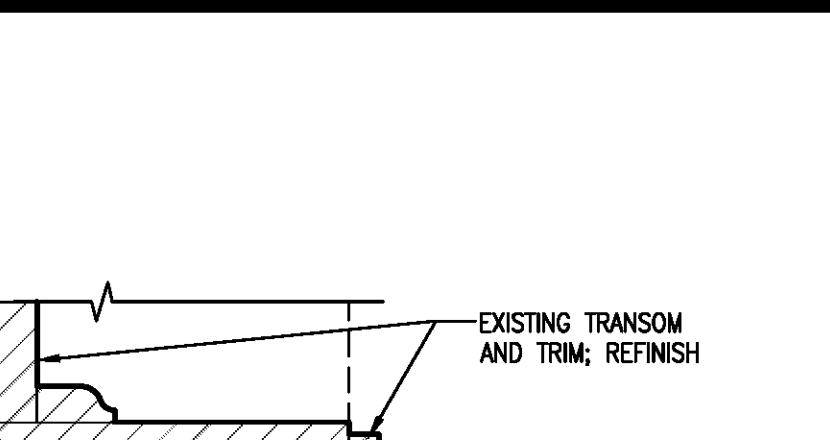
4 PLAN DETAIL at Mirror
A203 | A912 Scale: 3" = 1'-0"



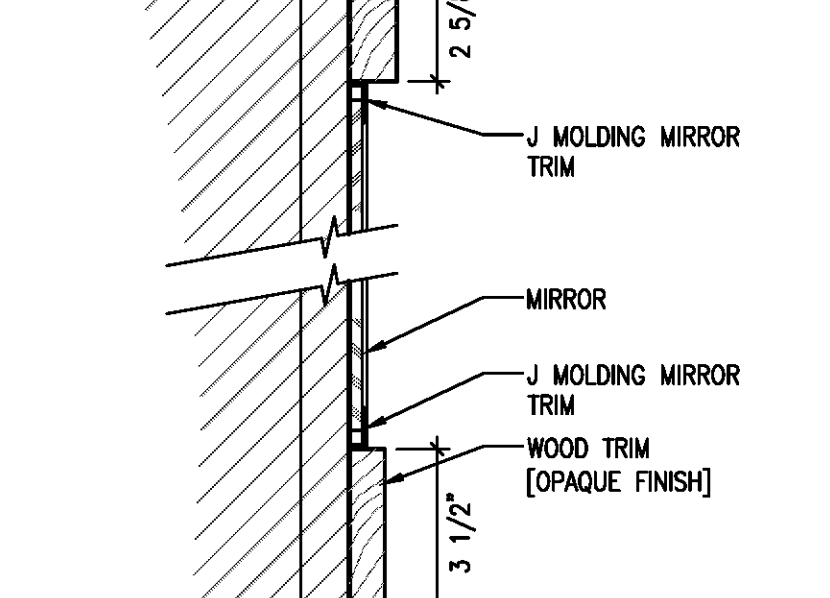
3 SECTION at Wainscot
A912 Scale: 3" = 1'-0"



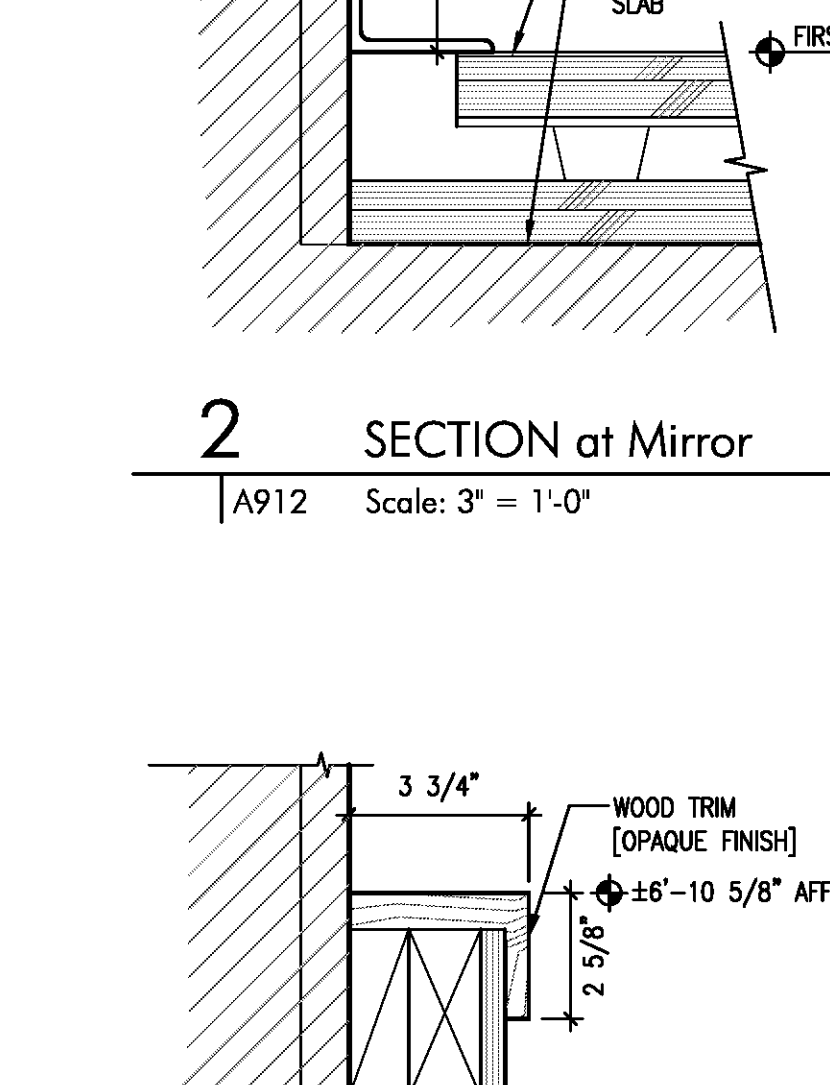
3 SECTION at Wainscot
A912 Scale: 3" = 1'-0"



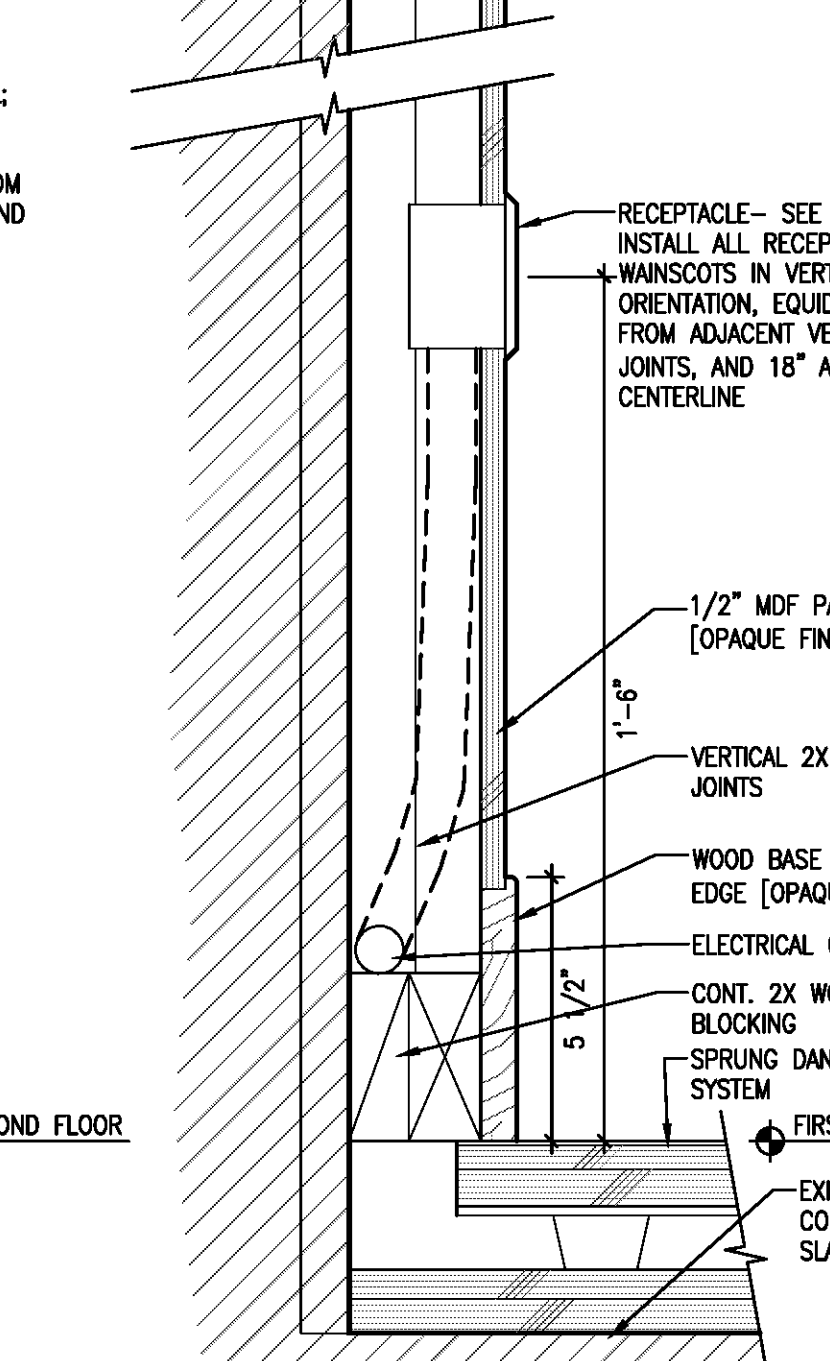
2 SECTION at Mirror
A912 Scale: 3" = 1'-0"



2 SECTION at Mirror
A912 Scale: 3" = 1'-0"



2 SECTION at Mirror
A912 Scale: 3" = 1'-0"



1 SECTION at Wainscot
A912 Scale: 3" = 1'-0"

2200 PRYTHANA STREET
NEW ORLEANS, LOUISIANA 70130
T 504-524-5308 F 504-524-5314
wbaarchitects.com

Waggoner & Ball Architects

Copyright © 2009 by Waggoner & Ball Architects, APC. All rights reserved. No part of this work may be reproduced or used in any form or by any means - graphic, electronic or mechanical, including photocopying, recording, taping or information storage and retrieval systems - without written permission of the copyright holder.

ACADEMY OF THE SACRED HEART PHASE 2
New Arts and Athletics Facility
4501 CARONDELET ST.
NEW ORLEANS, LOUISIANA 70115
PROJECT NO.: 0209-20

SHEET TITLE:
CASEWORK DETAILS
ST. JOSEPH'S HALL
DATE: JAN 08, 2010
DRAWN BY:
REVISION:



A912