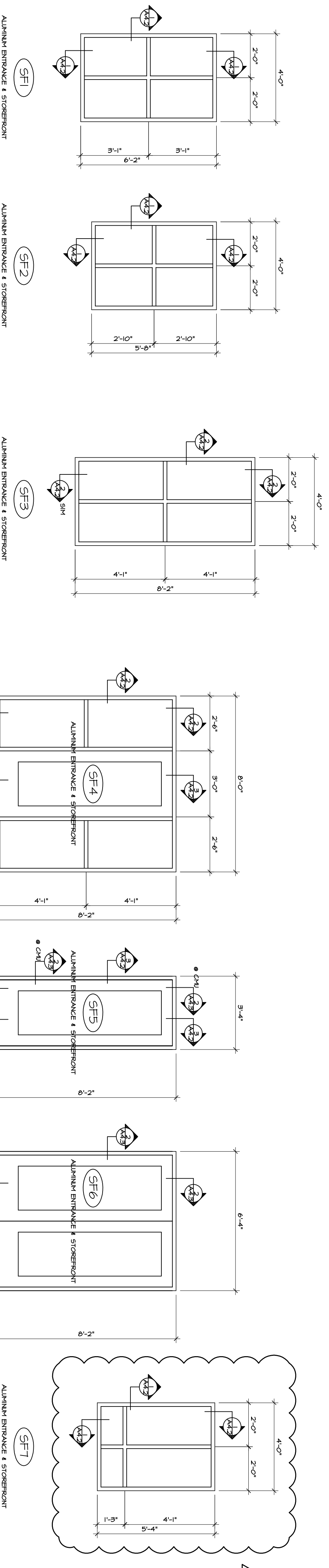


2. DOOR TYPES

NTS



1. STOREFRONT ELEVATIONS

NTS

PROJECT DESIGN GROUP, LLC
 300 LAFAYETTE STREET, SUITE 200
 NEW ORLEANS, LOUISIANA 70130
 (504) 523-6472 FAX (504) 529-1181

REK ARCHITECTS, LLC
 21489 KOOP DRIVE, SUITE 5
 MANDEVILLE, LOUISIANA 70471
 (985) 875-7534 FAX (985) 875-7837

| no. | revisions | revision | date |
|-----|--------------|----------|----------|
| Δ | ADDENDUM # 1 | | 11-10-09 |

SLIDELL MUNICIPAL CENTER
 BUILDING 2
 SLIDELL, LA

STOREFRONT ELEVATIONS & DOOR TYPES

| | |
|----------------|----------------|
| file name | drawing number |
| project number | 51093.02 |
| date | 9-5-09 |
| phase | CD |

A4.1

