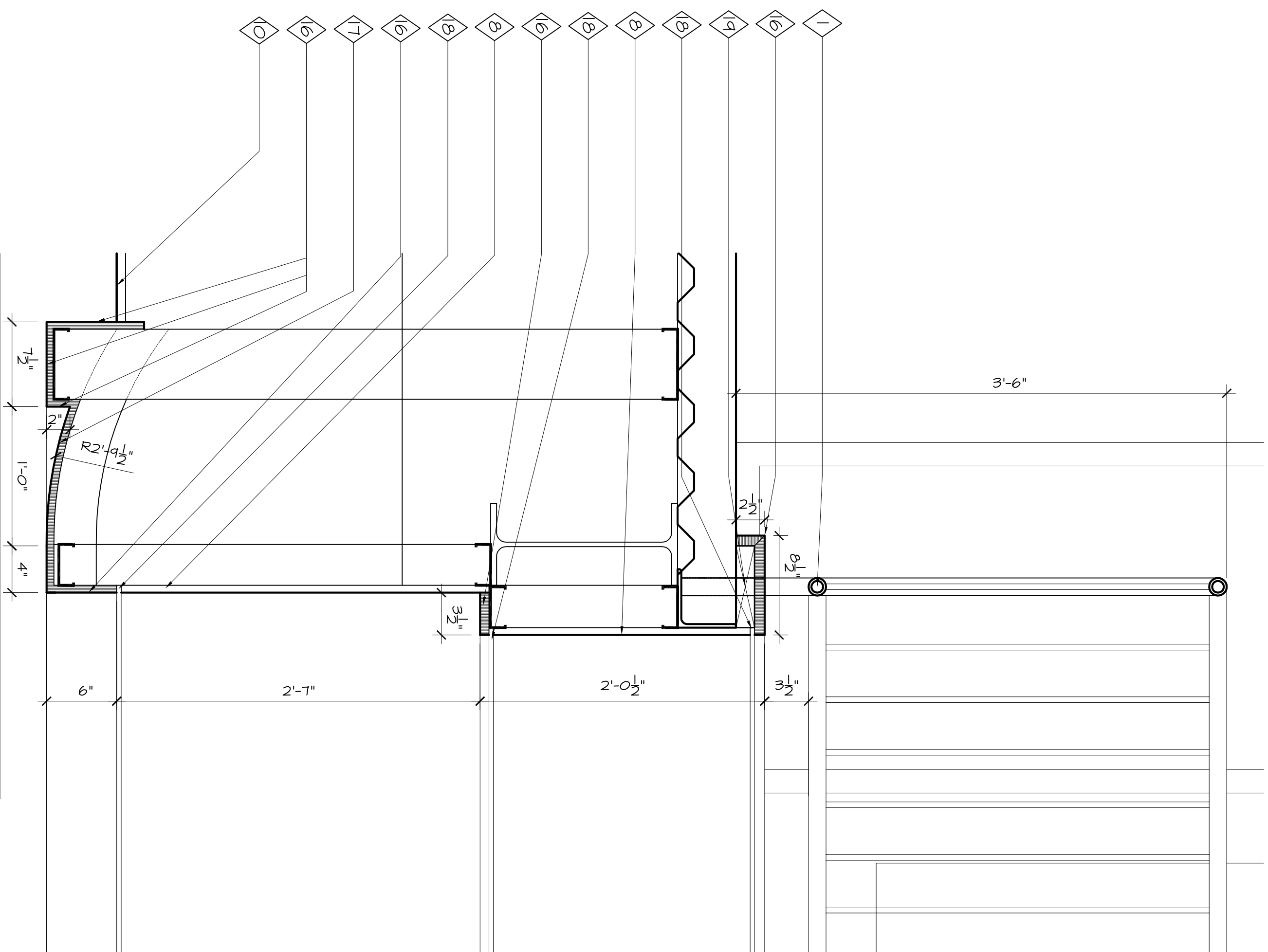
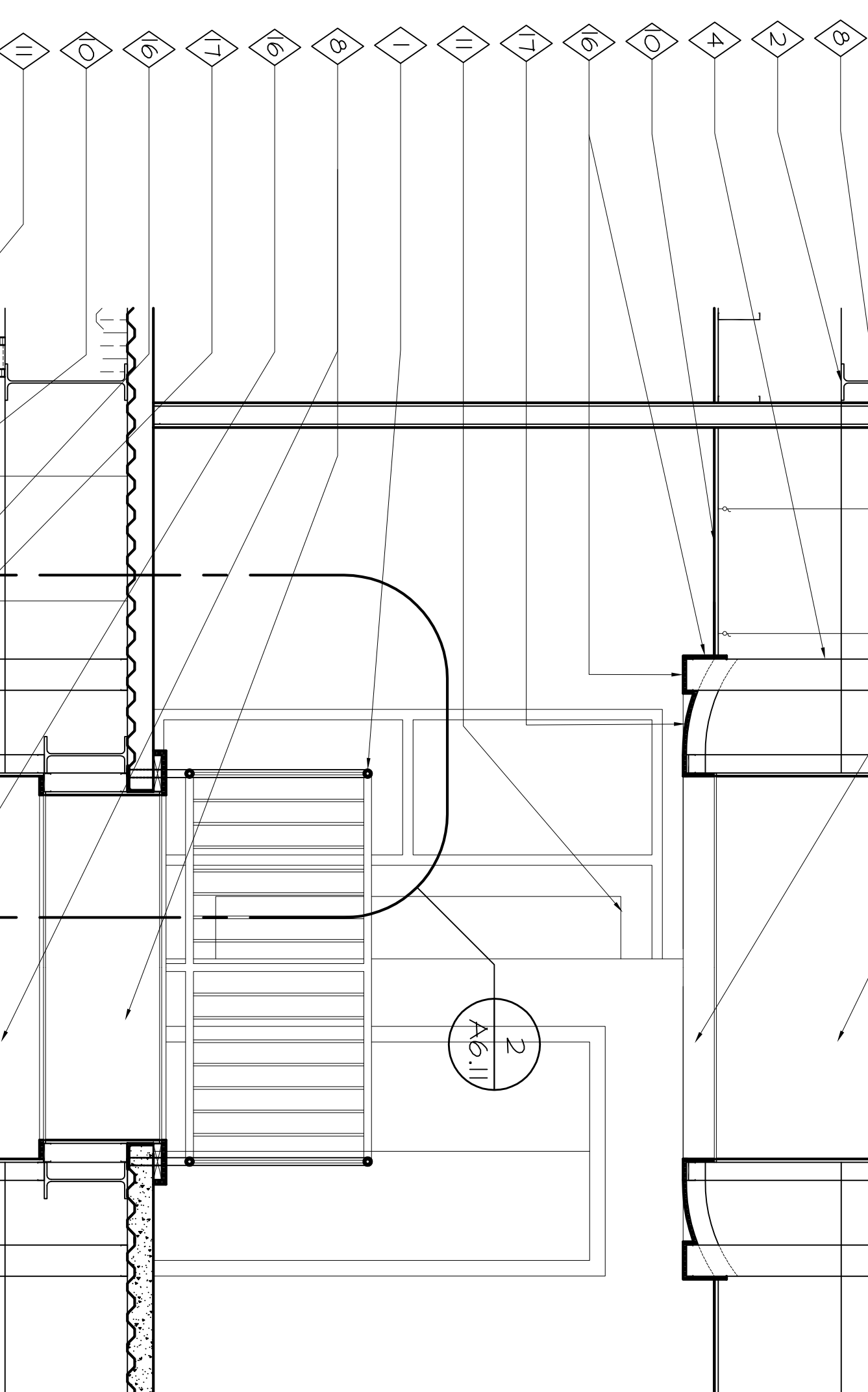
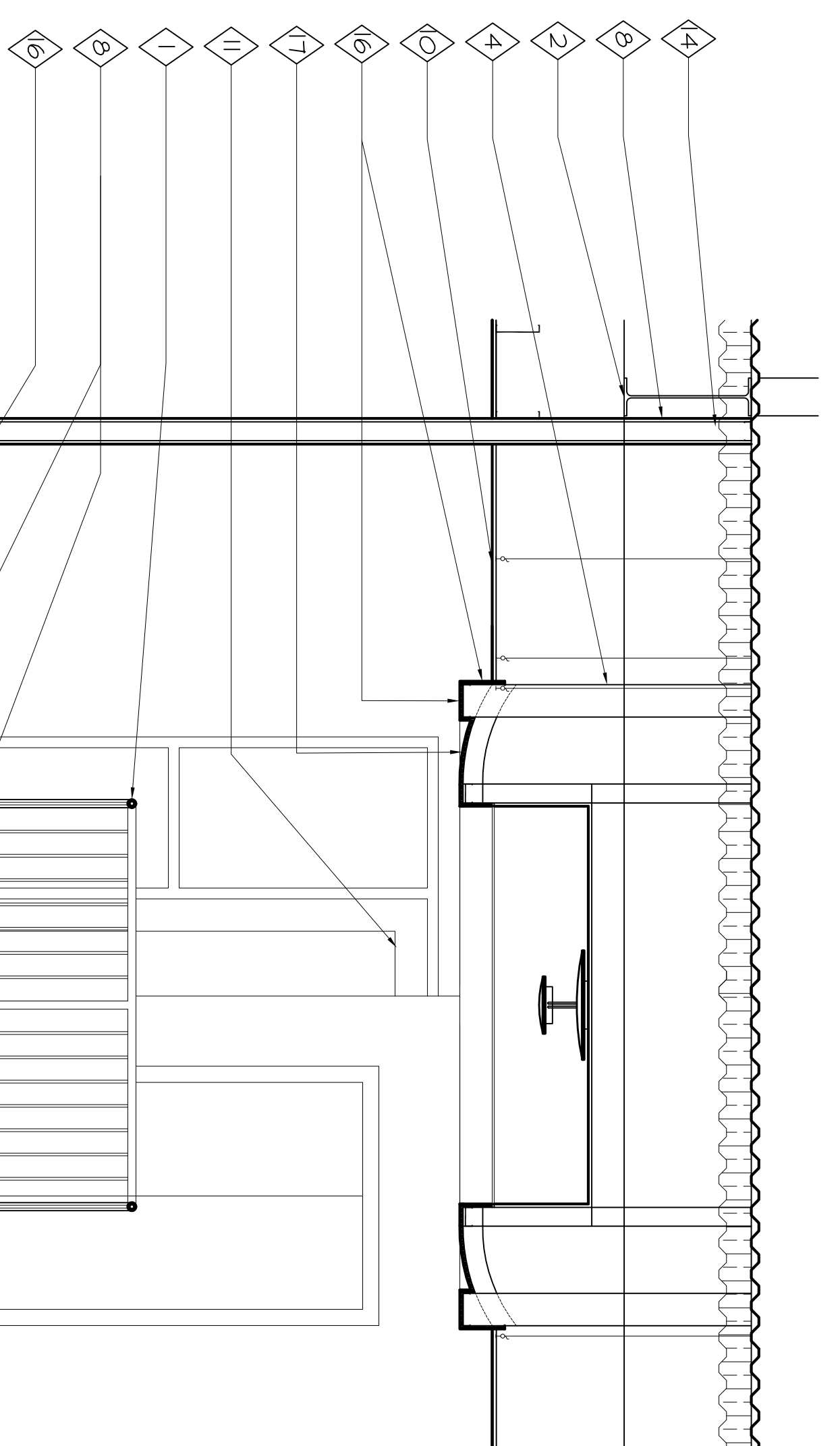


**3. ENLARGED REGLET DETAIL**  
SCALE: 1'-0" = 1'-0"



**2. ENLARGED ATRIUM SECTION**  
SCALE: 1/2" = 1'-0"



**1. ATRIUM SECTION**  
SCALE: 1/2" = 1'-0"

- ① HANDRAILS AND RAILINGS, RE: (05520)
- ② STRUCTURAL STEEL RE: STRUCTURAL (05120)
- ③ STEEL DECK, RE: (05310)
- ④ COLD-FORMED METAL FRAMING, RE: (05400 & (04111))
- ⑤ 3/4" GLASS-REINFORCED EXTERIOR GYP. BD, RE: (04260)
- ⑥ 3/4" PORTLAND CEMENT PLASTER W/ 1/2" ACRYLIC FINISH COAT, RE: (04220)
- ⑦ BATT INSULATION, RE: (071212)
- ⑧ 5/8" GYPSUM BOARD (TYPE "X" AS SHOWN ON WALL TYPES), RE: (04260)
- ⑨ SHEET METAL FLASHING AND TRIM, RE: (07552)
- ⑩ ACOUSTICAL TILE CEILING, RE: (0913)
- ⑪ ALUMINUM-FRAMED ENTRANCES AND STOREFRONTS, RE: (08410)
- ⑫ CAST-IN-PLACE CONCRETE, RE: (03300)
- ⑬ PIPE AND TUBE RAILINGS, RE: (05520)
- ⑭ SPRAY - ON FOAM INSULATION, RE: (071212)
- ⑮ TILE, RE: FINISH SCHEDULE, RE: (04300)
- ⑯ FLAT VENEERED PANELS RE: (04513)
- ⑰ CURVED WOOD VENEERED PANELS, RE: (04515)
- ⑱ ALUMINUM FRT REGLET
- ⑲ DRMF-625-625
- ⑲ 2X6 WD NAILER, RE: (06100)

**PROJECT DESIGN GROUP, LLC**  
300 LAFAYETTE STREET, SUITE 200  
NEW ORLEANS, LOUISIANA 70130  
(504) 523-6472 FAX (504) 529-1181

**REK ARCHITECTS, LLC**  
21489 KOOP DRIVE, SUITE 5  
MANDEVILLE, LOUISIANA 70471  
(985) 875-7534 FAX (985) 875-7837

revisions		
no.	revision	date
Δ	ADDENDUM # 1	11-10-09

**SLIDELL MUNICIPAL CENTER  
BUILDING 2**  
SLIDELL, LA

atrium sections & details

STATE OF LOUISIANA  
Notary Public  
Ronald E. Kildness  
9-5-09

File name: drawing number  
Project number: 51093.02  
date: 9-5-09  
phase: CD

**A6.11**