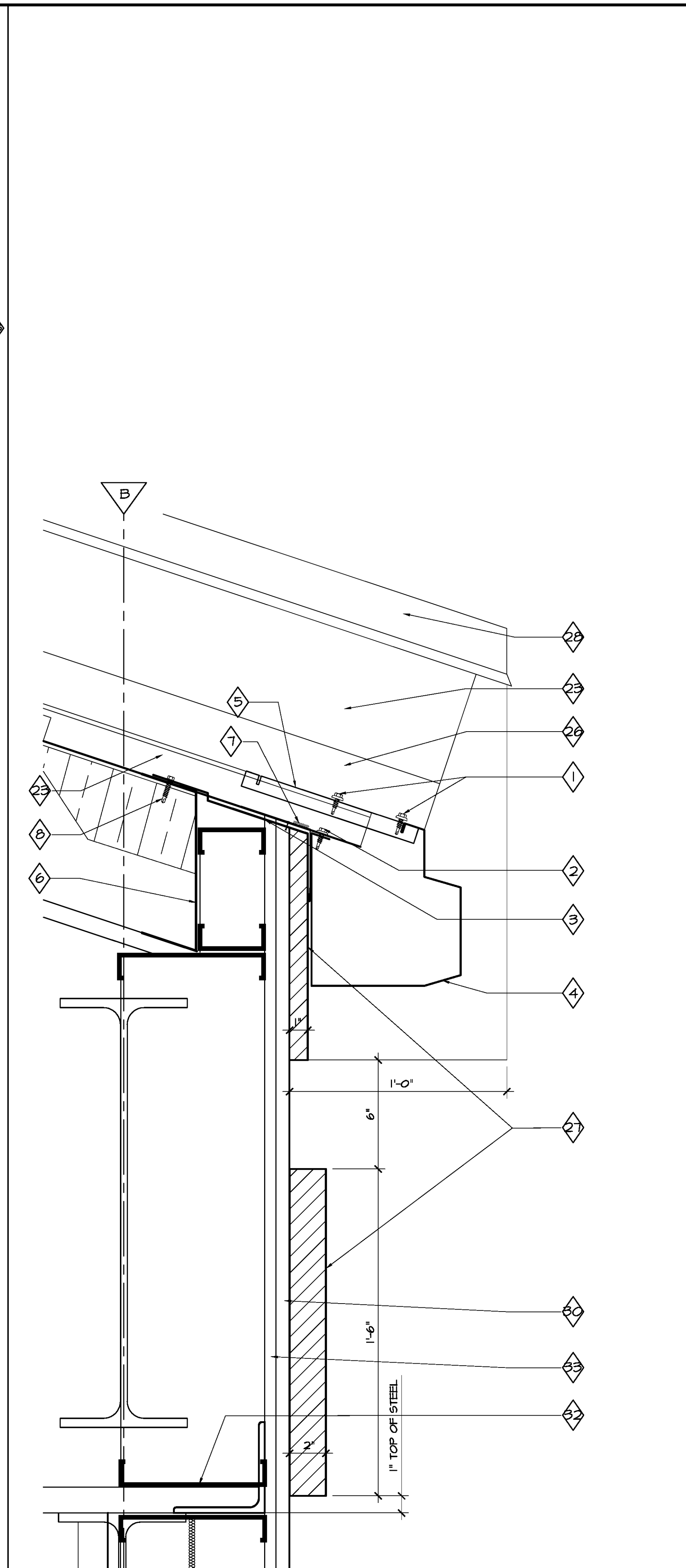
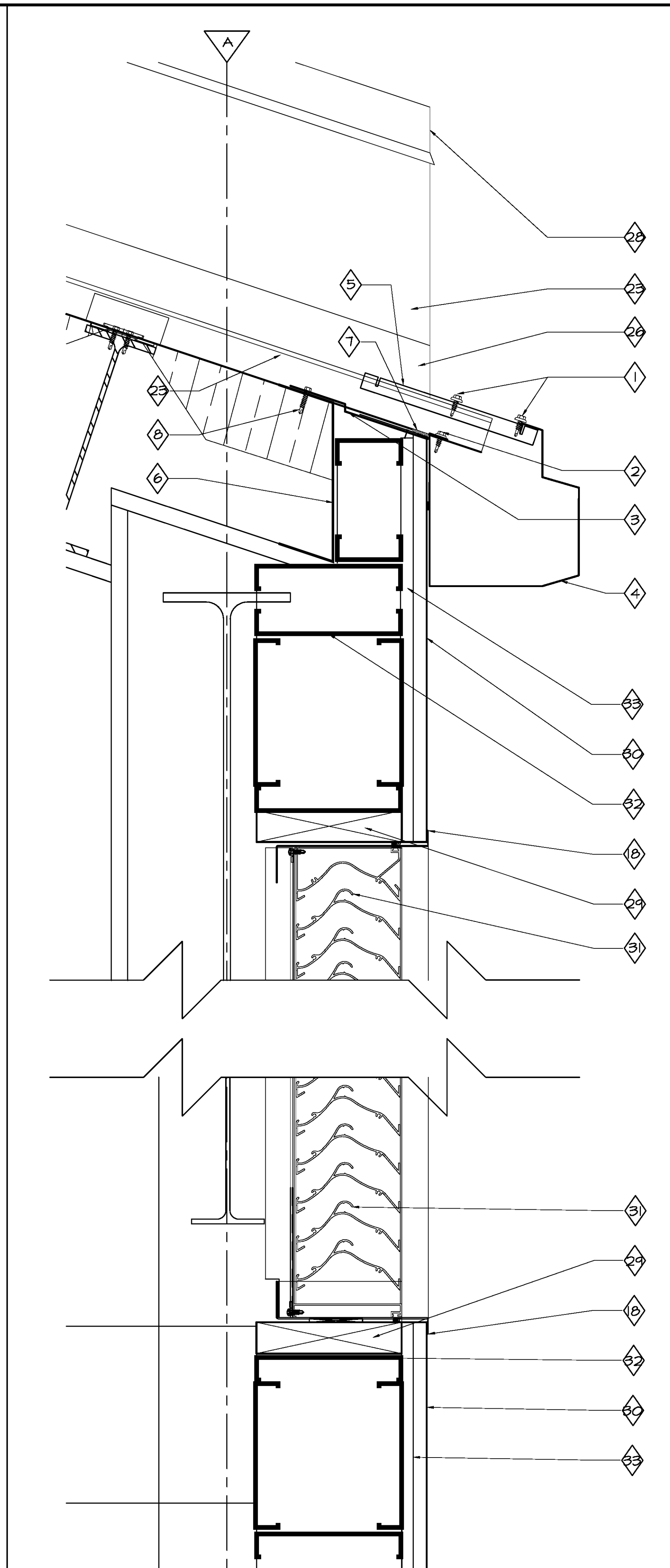


3. DETAIL - ROOF
SCALE: 3" = 1'-0"



2. DETAIL - ROOF
SCALE: 3" = 1'-0"



1. DETAIL - ROOF
SCALE: 3" = 1'-0"

- 1 1/4 -14 X 7/8 LONG-LIFE LAPTEK W/WASHER [FASTENER #4 (2 PER STRAP), RE: (07411)]
- 2 1/4-14 X 7/8 LONG-LIFE LAPTEK W/WASHER [FASTENER #4 @12" O.C., RE: (07411).
- 3 EAVE TRIM, RE: (07411)
- 4 GUTTER, RE: (07411)
- 5 GUTTER STRAP @ EVERY OTHER RIB, RE: (07411)
- 6 EAVE STRUT, RE: (07411)
- 7 TRI-BEAD TAPE SEALER, RE: (07411)
- 8 1/4-14 x 1 1/4 SHOULDER TEK 2 SELF-DRILLER [FASTENER #5] @12 O.C. RE: (07411)
- 9 1/8 x 3/16 POP RIVET [FASTENER #4] @ 5'-0" O.C. (07411)
- 10 RIDGE FLASHING, RE: (07411)
- 11 12-14 x 1 SELF-DRILLER W/WASHER [FASTENER #11] (1 PER RIB) RE: (05500)
- 12 BACKUP PLATE, RE: (07411)
- 13 METAL VENT MATERIAL, RE: (07411)
- 14 METAL VENT MATERIAL, RE: (07411)
- 15 12-14 x 1 SELF-DRILLER W/O WASHER [FASTENER #1A] 2 PER CLIP (07411)
- 16 2X WOOD BLOCK, RE: (06100)
- 17 10-16 x 1 PANCAKE HEAD SELF-DRILLER [FASTENER #12] (2) @ EACH FURLIN, RE: (07411)
- 18 JOINT SEALANT, RE: (07900)
- 19 HIGH RAKE SUPPORT ANGLE (07411)
- 20 HIGH FLOATING CLIP RE: (07411)
- 21 1/4-14 x 1 1/4 SELF-DRILLER W/O WASHER [FASTENER #1B] (2 PER CLIP), RE: (05500)
- 22 1/4-14 x 1 1/4 LONG-LIFE SELF-DRILLER W/WASHER [FASTENER #1E] @ 24" O.C. RE: (07411)
- 23 METAL PANEL, RE: (07411)
- 24 COUNTERFLASH RE: (07411)
- 25 1/4 x 1 1/4 ANCHOR [FASTENER #1] @24" O.C. (PRE-DRILL HOLE) (07411)
- 26 PARAPET RAKE FLASHING RE: (07411)
- 27 EIFS BANDING, RE: (04220)
- 28 MTL. COPING W/ CONCEALED CLIPS, RE: (07552)
- 29 TREATED WOOD WOOD BLOCKING, RE: (06100)
- 30 3" PORTLAND CEMENT PLASTER W/ FINISH COAT RE: (04220) 1/2" ACRYLIC
- 31 WALL LOUVERS, RE: (10210)
- 32 8" COLD-FORMED METAL FRAMING, RE: (05400)
- 33 3/8" GLASS-REINFORCED EXTERIOR GYP. BD, RE: (04260)

PROJECT DESIGN GROUP, LLC
300 LAFAYETTE STREET, SUITE 200
NEW ORLEANS, LOUISIANA 70130
(504) 523-6472 FAX (504) 529-1181

SIZELER THOMPSON BROWN ARCHITECTS

REK ARCHITECTS, LLC
21489 KOOP DRIVE, SUITE 5
MANDEVILLE, LOUISIANA 70471
(985) 875-7534 FAX (985) 875-7837

architects

revisions		
no.	revision	date

**SLIDELL MUNICIPAL CENTER
BUILDING 2**
SLIDELL, LA

ROOF DETAILS

	file name	drawing number
	project number	51093.02
	date	9-5-09
	phase	CD

A10.1