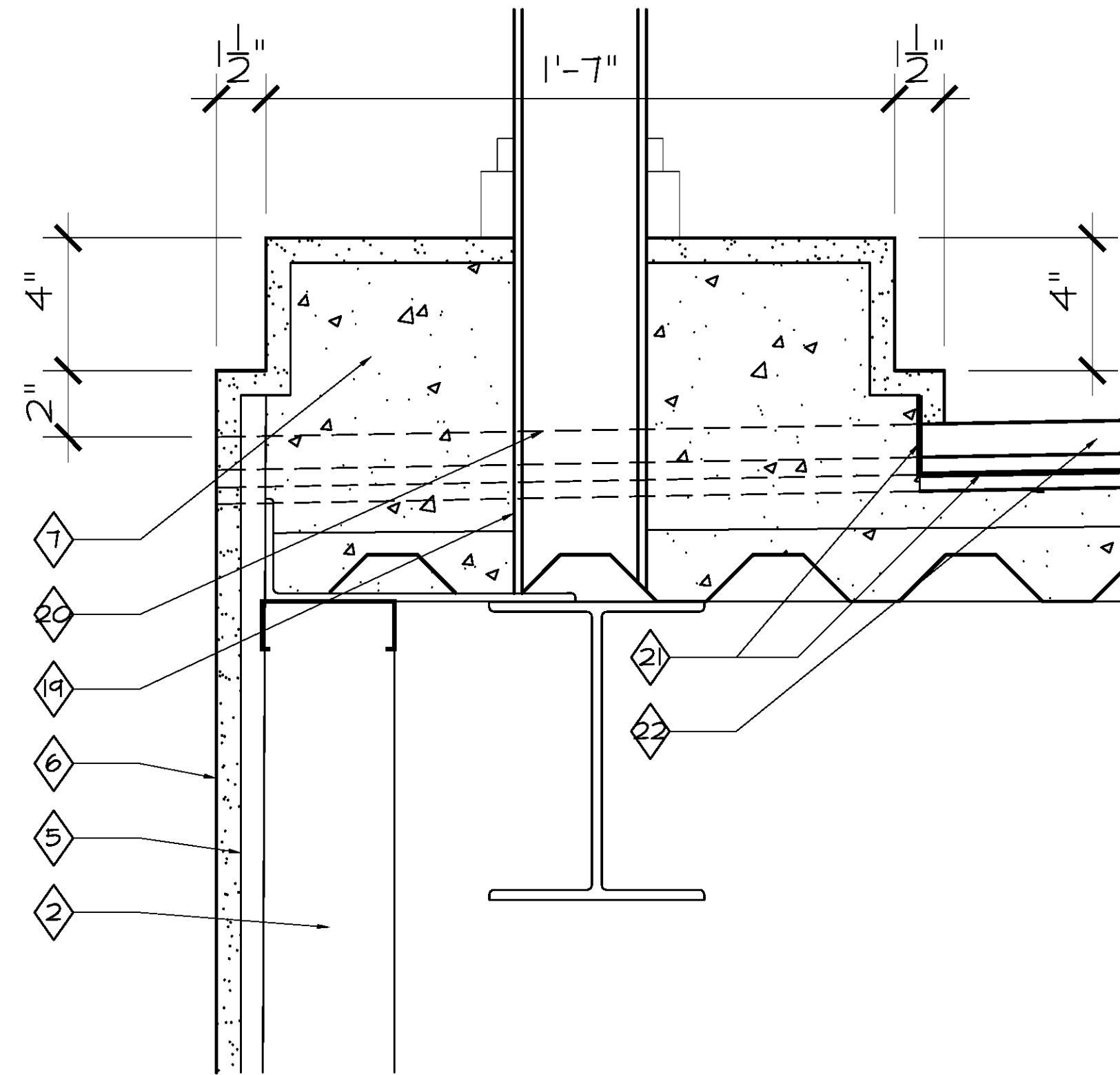
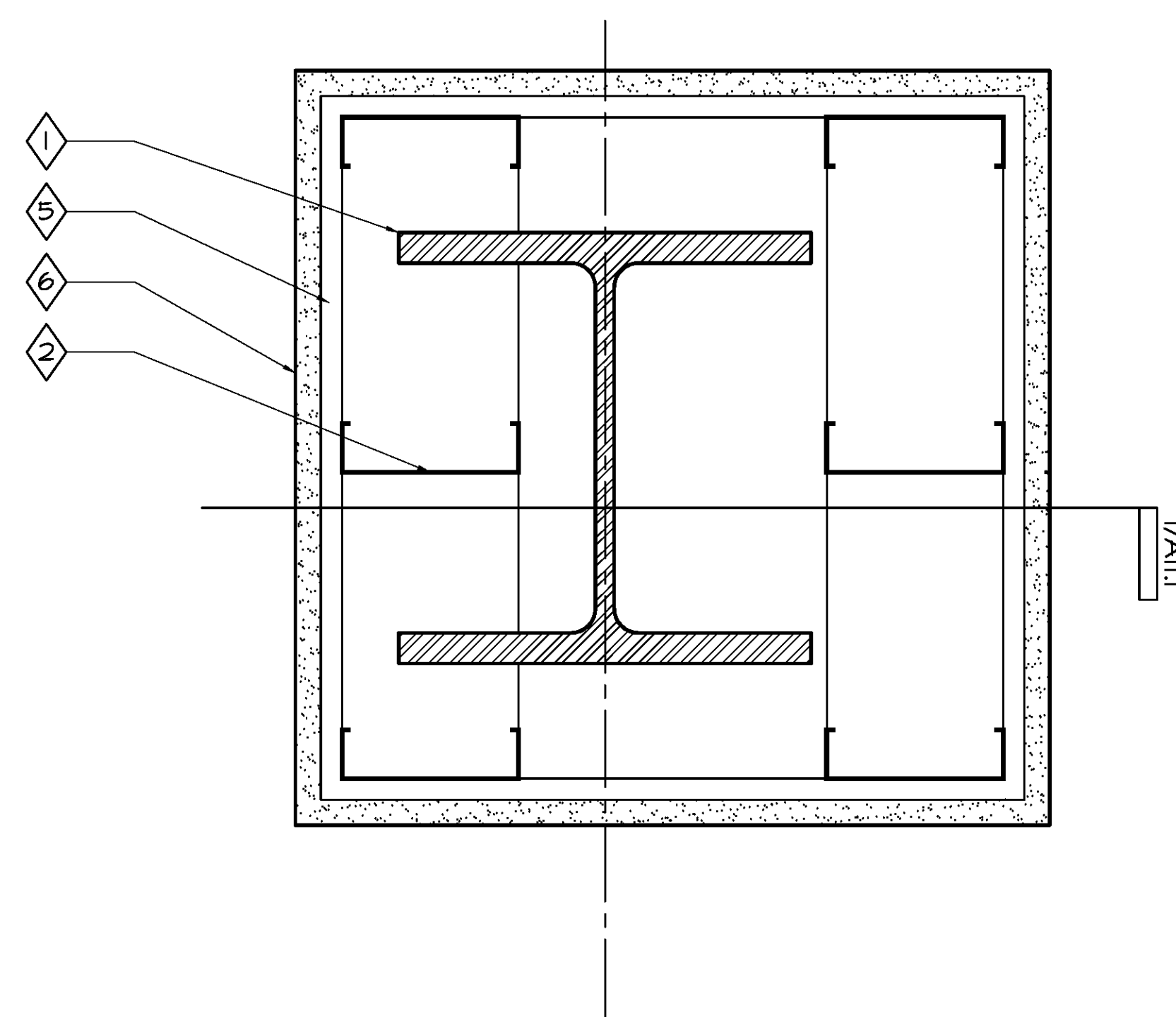


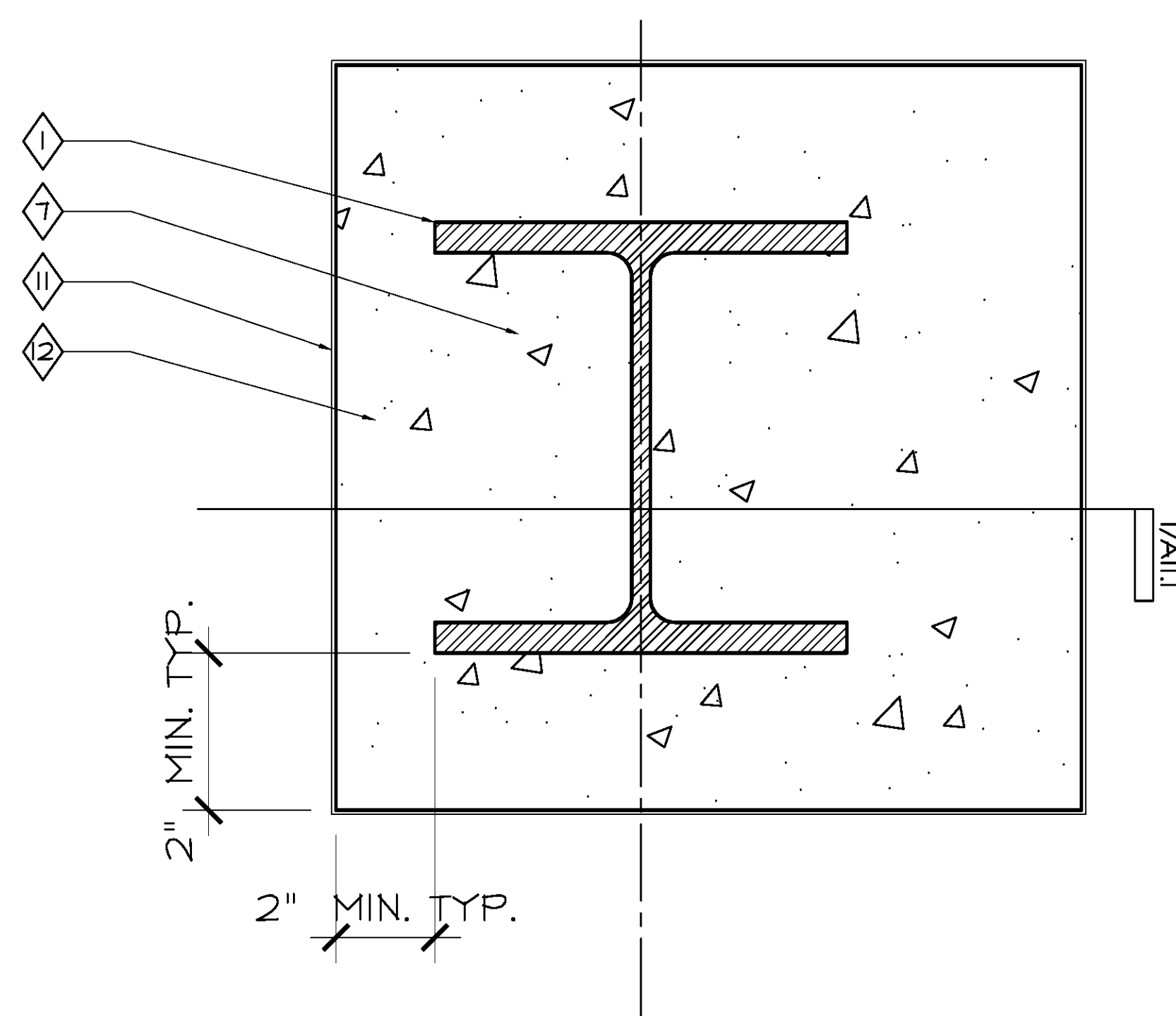
5. COLUMN SURROUND DETAIL
SCALE: 3" = 1'-0"



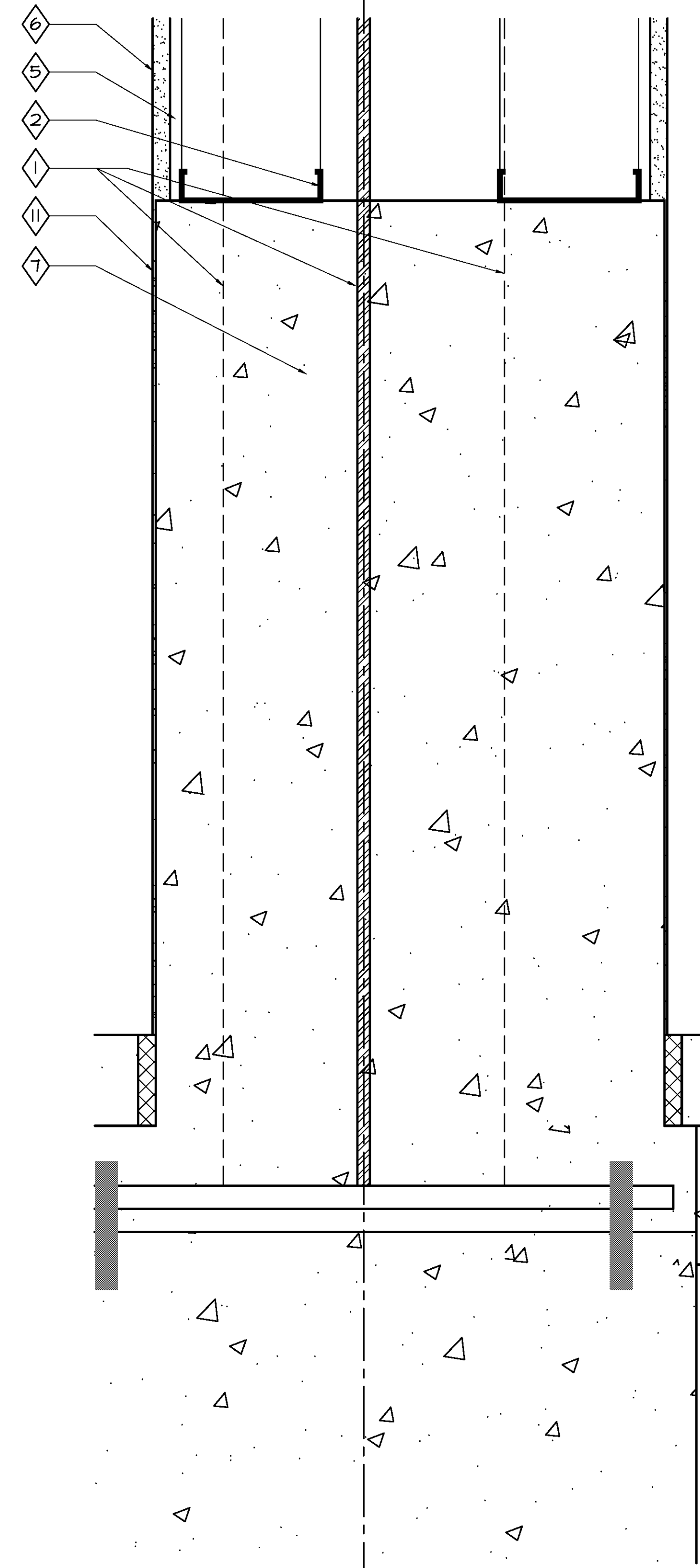
3. COLUMN CAP SECTION - BALCONY
SCALE: 3" = 1'-0"



4. COLUMN SURROUND DETAIL
SCALE: 3" = 1'-0"



2. COLUMN SURROUND DETAIL
SCALE: 3" = 1'-0"



1. SECTION THRU COLUMN SURROUND DETAIL
SCALE: 3" = 1'-0"

- 1 STEEL COLUMN (05500)
- 2 COLD-FORMED METAL FRAMING (09111)
- 3 COLD-FORMED METAL FRAMING (09111)
- 4 COLD-FORMED METAL FRAMING (09111)
- 5 3/8" GLASS-REINFORCED EXTERIOR GYP. BD (09260)
- 6 3/8" PORTLAND CEMENT PLASTER (09220)
- 7 CAST-IN-PLACE CONCRETE (03300)
- 8 3/8" TYPE "X" GYPSUM BOARD (09260)
- 9 3/8" GYPSUM BOARD (09260)
- 10 8" CMU (04810)
- 11 1/8" FINISH COAT PORTLAND CEMENT PLASTER (09220)
- 12 RE: STRUCTURAL FOR REINFORCEMENT
- 13 DOVETAIL GALV. REINFORCEMENT, RE:(04810)
- 14 PREFINISHED PANEL, RE:09110
- 15 RUBBER FLASHING OVER FLUID-APPLIED MEMBRANE
- 16 JOINT SEALERS, RE:(07190)
- 17 STEEL COLUMN CAP PLATE, RE:(05500)
- 18 FLUID-APPLIED MEMBRANE AIR BARRIERS APPLIED OVER EXTERIOR GYP. BD., RE: (07272)
- 19 STEEL COLUMN, RE:(05500)
- 20 LINE OF TILE BEYOND REINFORCED, HOT APPLIED MEMBRANE UNDER 1 1/2" REINFORCED GROUT AND TILE PER CARLISLE DETAIL 500-10C, RE: (0714)
- 21 CERAMIC TILE, RE: FINISH SCHEDULE, RE: (09300)
- 22 12" CMU (04810)



PROJECT DESIGN GROUP, LLC
300 LAFAYETTE STREET, SUITE 200
NEW ORLEANS, LOUISIANA 70130
(504) 523-6472 FAX (504) 529-1181

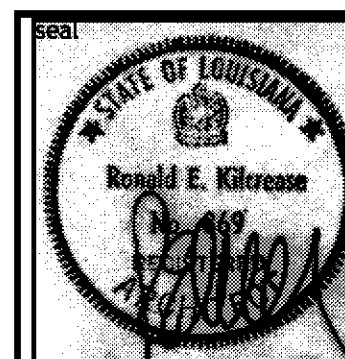


REK ARCHITECTS, LLC
21489 KOOP DRIVE, SUITE 5
MANDEVILLE, LOUISIANA 70471
(985) 875-7534 FAX (985) 875-7837

revisions		
no.	revision	date

**SLIDELL MUNICIPAL CENTER
BUILDING 2**
SLIDELL, LA

MISCELLANEOUS DETAILS



file name	drawing number
project number 51093.02	A11.1
date 9-5-09	
phase CD	