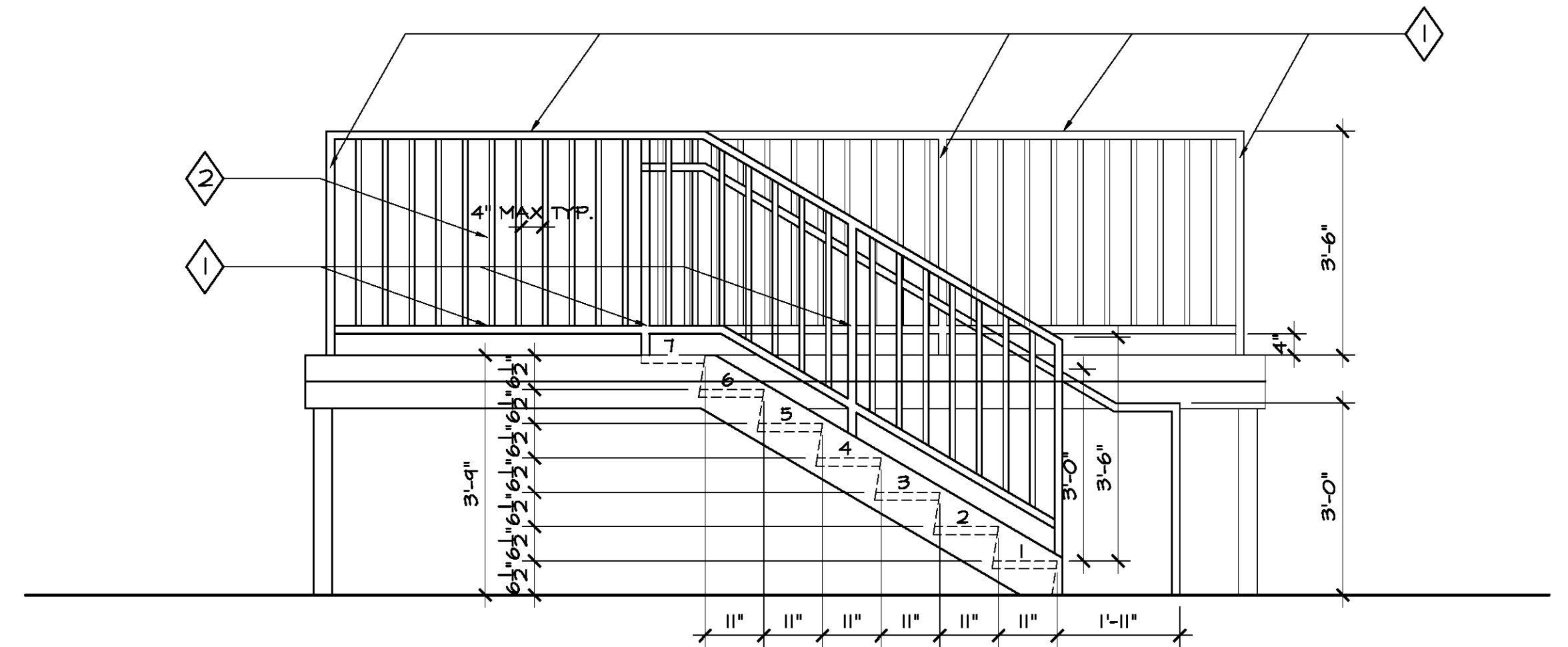
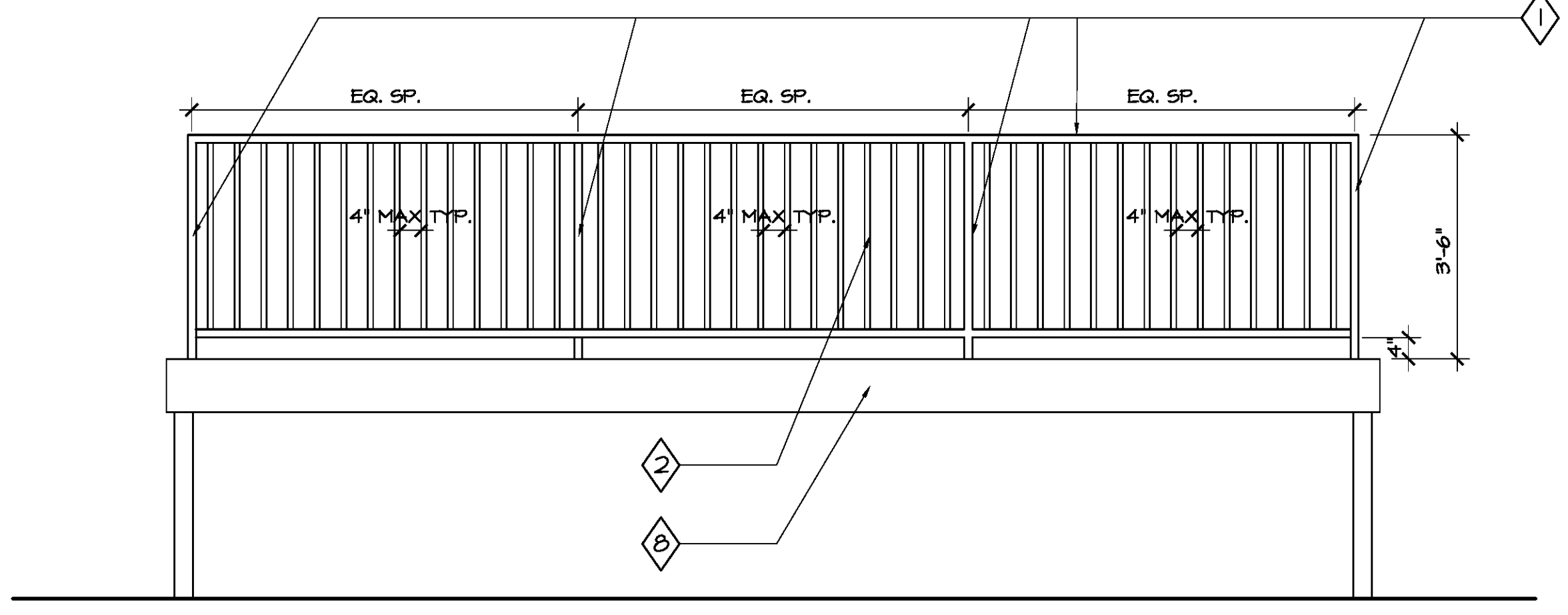


5. CHILLER PLATFORM PLAN
SCALE: 1/2" = 1'-0"

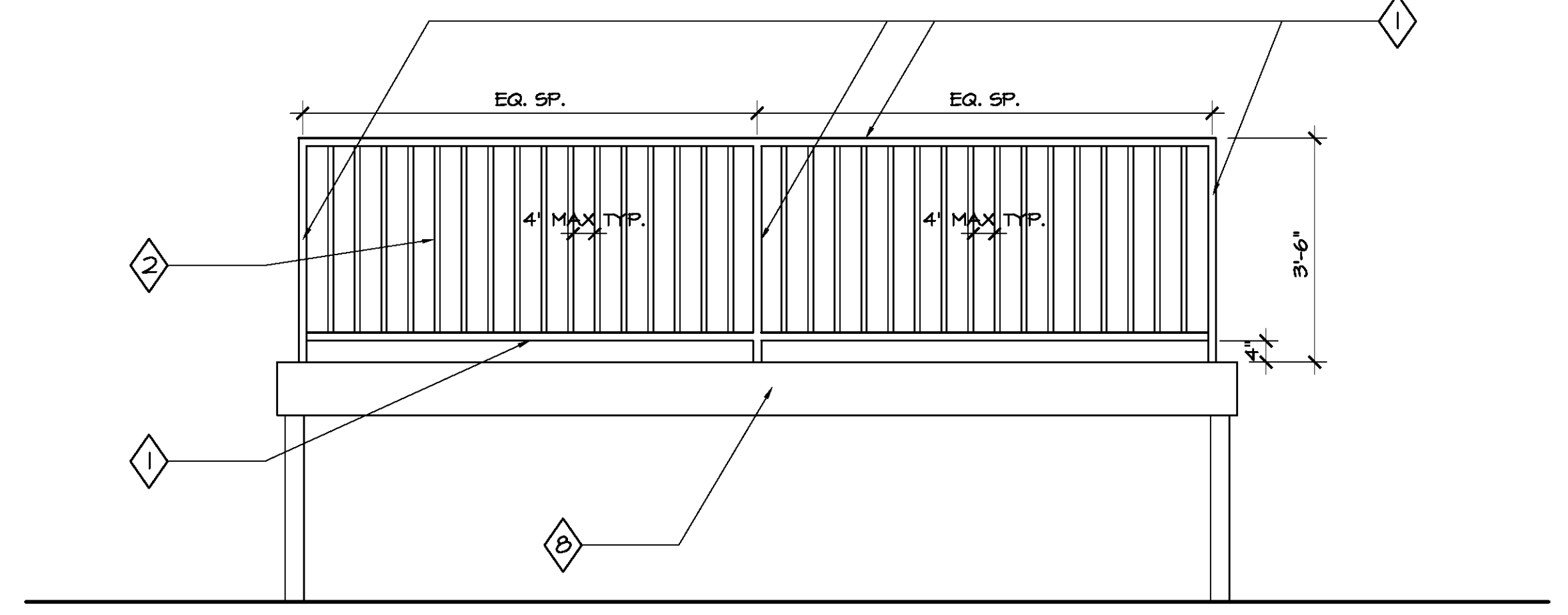
- 1 SCHEDULE 40 GALVANIZED 1 1/2" PIPE OD
- 2 SCHEDULE 40 GALVANIZED 1" PIPE BALUSTER OD
- 3 SCHEDULE 40 GALVANIZED 1 1/2" PIPE GUARDRAIL OD
- 4 SCHEDULE 40 GALVANIZED 1 1/2" PIPE HANDRAIL OD
- 5 CONCRETE FILLED GALVANIZED TREAD & RISERS
- 6 GALVANIZED STRINGER
- 7 CHILLER
- 8 RE: STRUCTURAL FOR PLATFORM DETAILS



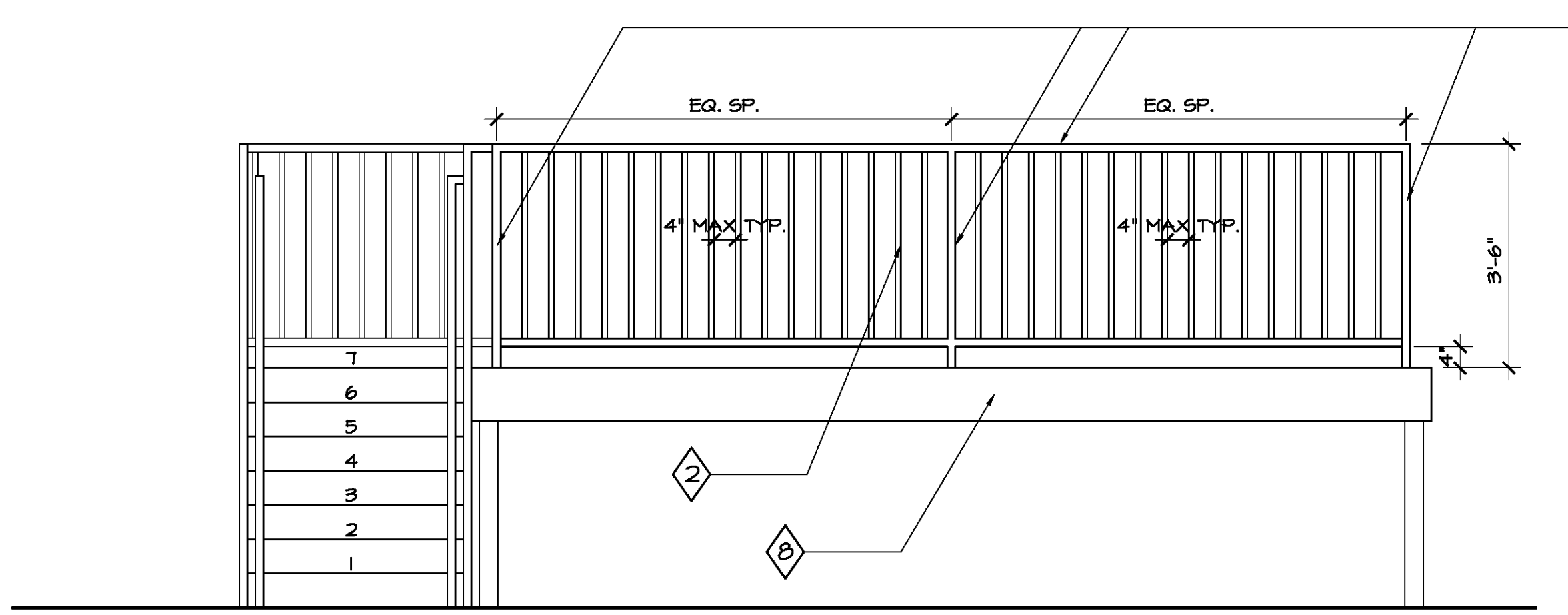
4. PLATFORM ELEVATION - WEST
SCALE: 1/2" = 1'-0"



3. PLATFORM ELEVATION - NORTH
SCALE: 1/2" = 1'-0"



2. PLATFORM ELEVATION - EAST
SCALE: 1/2" = 1'-0"



1. PLATFORM ELEVATION - SOUTH
SCALE: 1/2" = 1'-0"

PROJECT DESIGN GROUP, LLC
300 LAFAYETTE STREET, SUITE 200
NEW ORLEANS, LOUISIANA 70130
(504) 523-6472 FAX (504) 529-1181

**SIZELER
THOMPSON
BROWN
ARCHITECTS**

REK ARCHITECTS, LLC
21489 KOOP DRIVE, SUITE 5
MANDEVILLE, LOUISIANA 70471
(985) 875-7534 FAX (985) 875-7837

architects

revisions		
no.	revision	date

**SLIDELL MUNICIPAL CENTER
BUILDING 2**
SLIDELL, LA

CHILLER PLATFORM DETAILS

	file name	drawing number
	project number	51093.02
	date	9-5-09
	phase	CD

A11.2