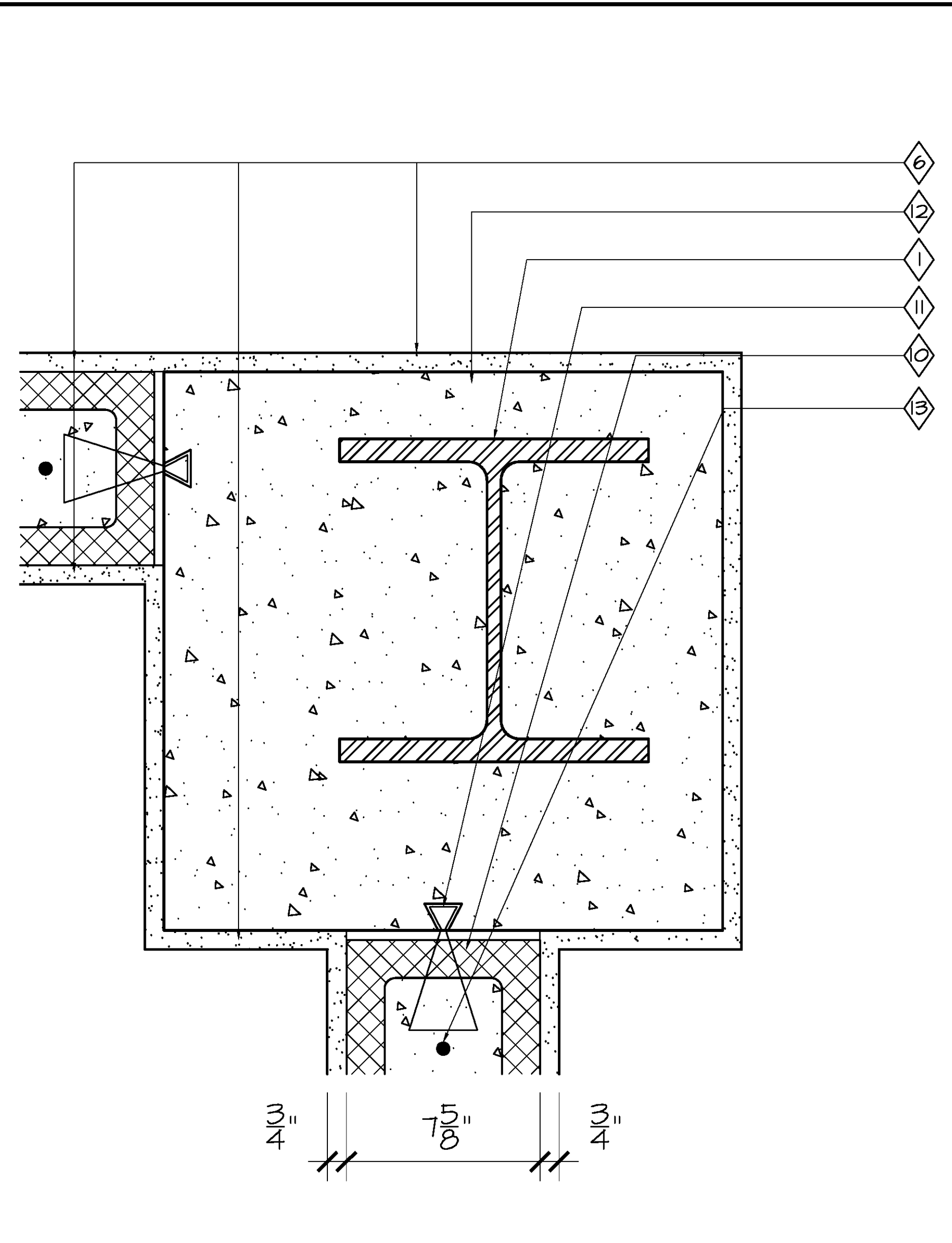
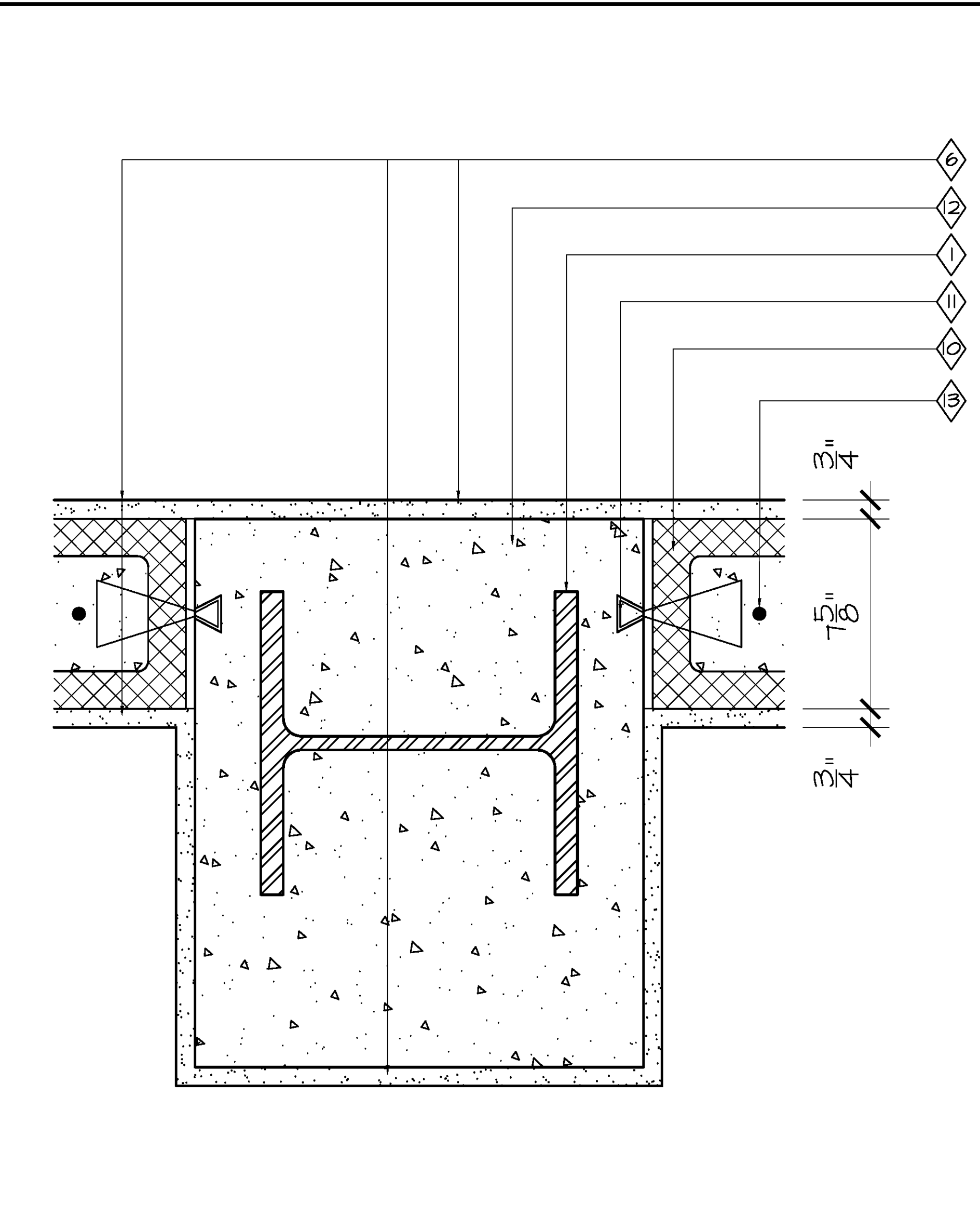


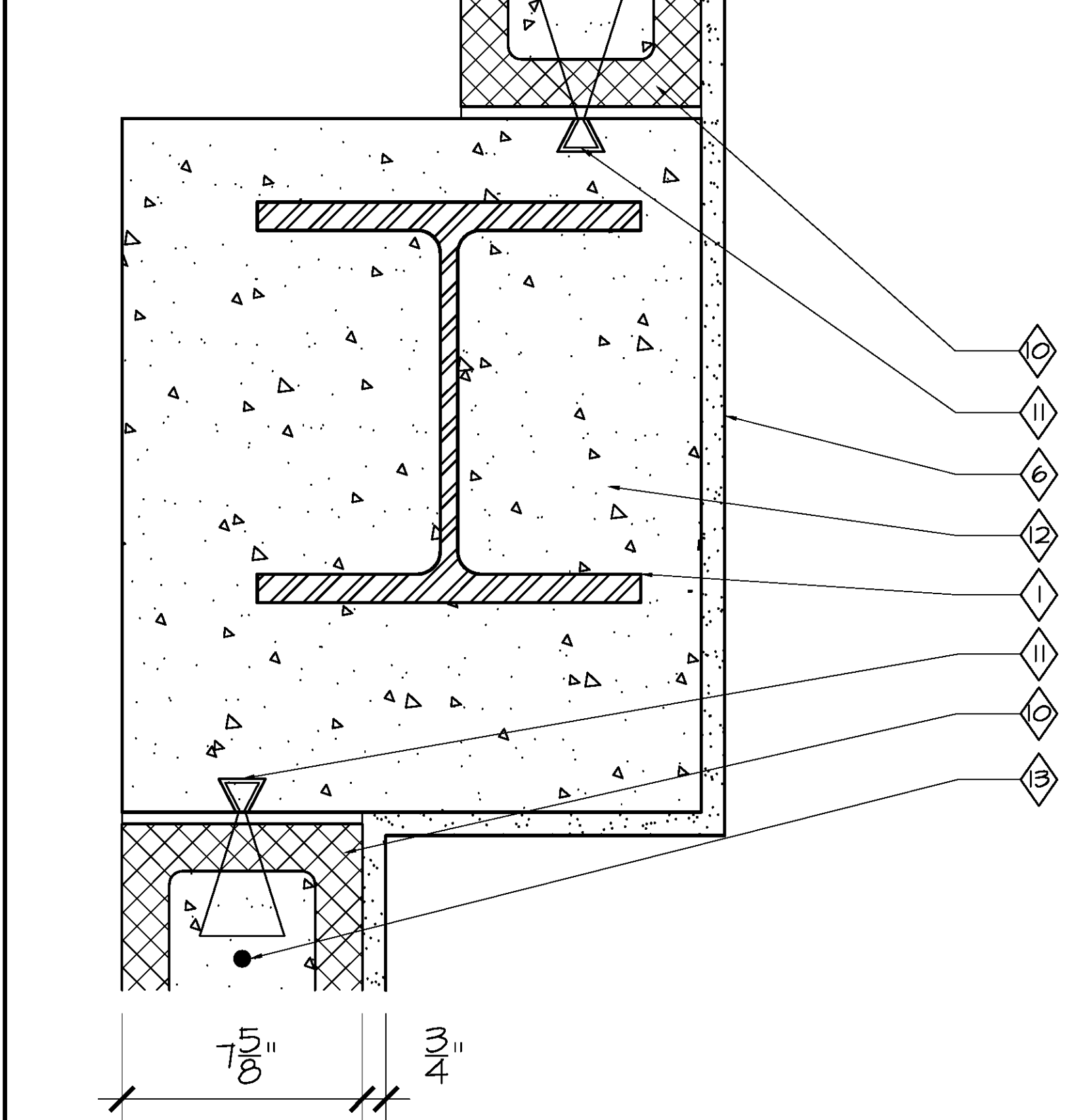
6. COLUMN SURROUND DETAIL
SCALE: 3" = 1'-0"



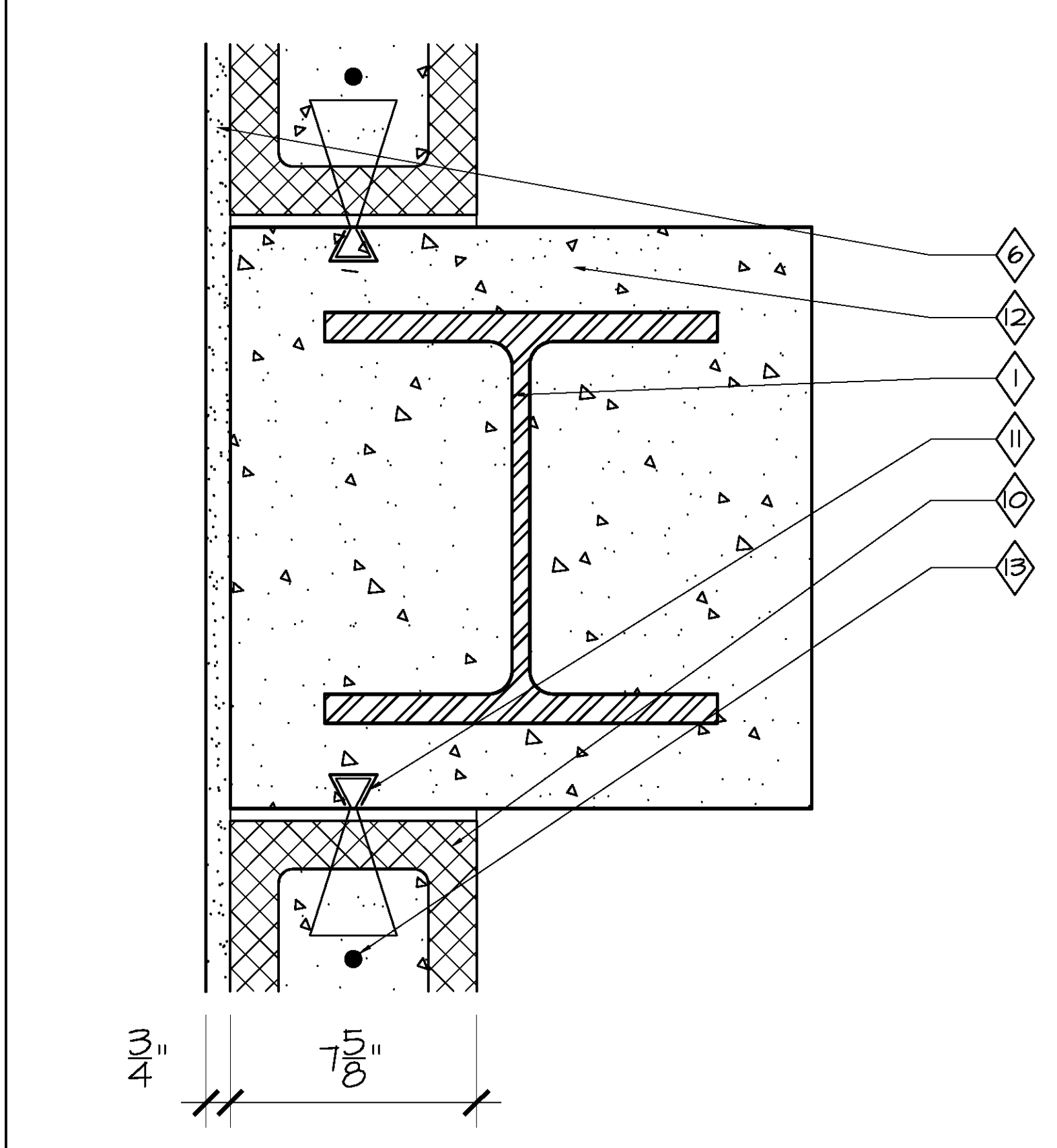
5. COLUMN SURROUND DETAIL
SCALE: 3" = 1'-0"



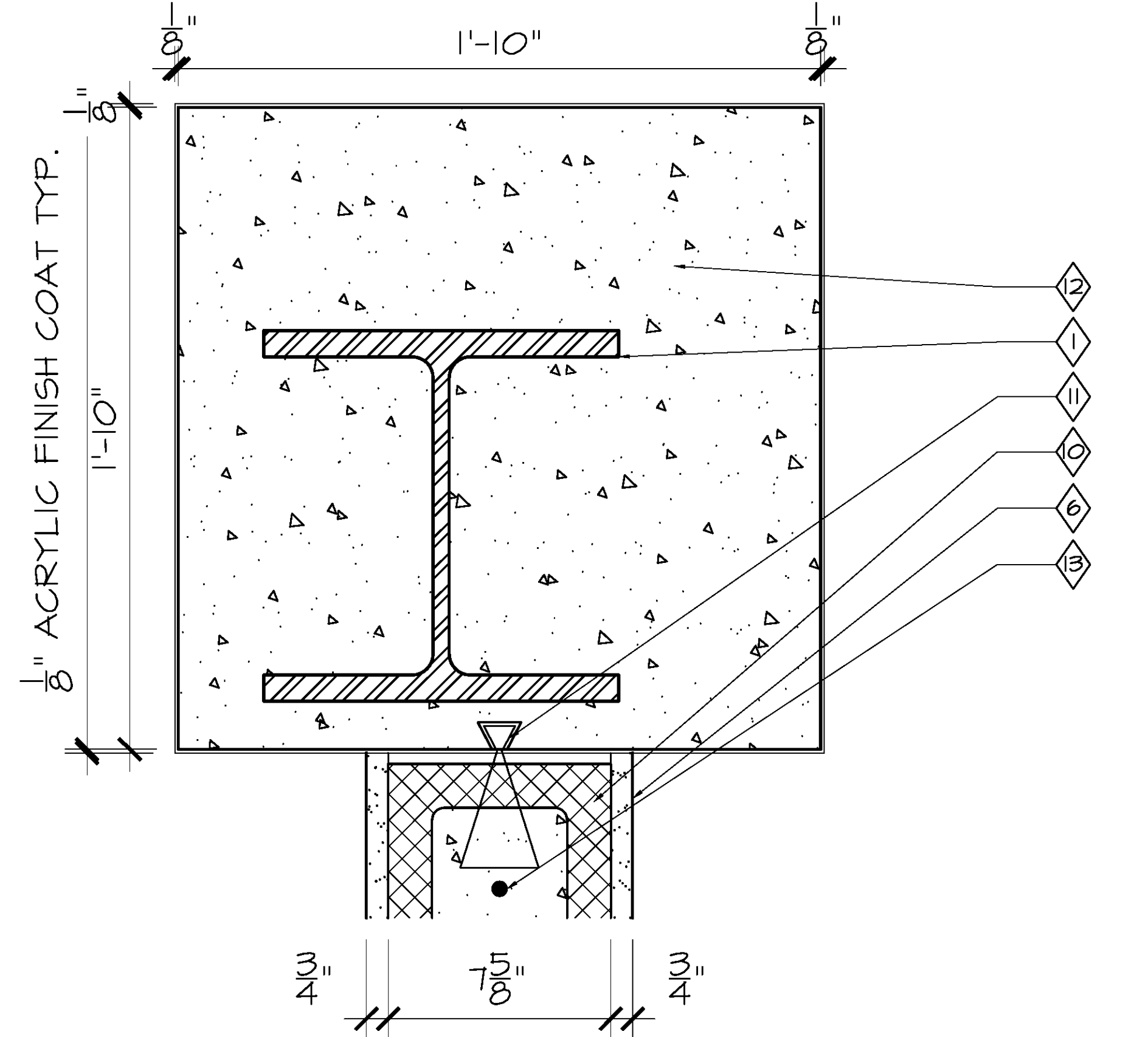
4. COLUMN SURROUND DETAIL
SCALE: 3" = 1'-0"



3. COLUMN SURROUND DETAIL
SCALE: 3" = 1'-0"



2. COLUMN SURROUND DETAIL
SCALE: 3" = 1'-0"



1. COLUMN SURROUND DETAIL
SCALE: 3" = 1'-0"

- 1 STEEL COLUMN (05120)
- 2 8" COLD-FORMED METAL FRAMING (09111)
- 3 3 5/8" COLD-FORMED METAL FRAMING (09111)
- 4 1 5/8" COLD-FORMED METAL FRAMING (09111)
- 5 3/8" GLASS-REINFORCED EXTERIOR GYP. BD (09260)
- 6 3/4" PORTLAND CEMENT PLASTER (09220)
- 7 CAST-IN-PLACE CONCRETE (03300)
- 8 3/8" TYPE "X" GYPSUM BOARD (09260)
- 9 3/8" GYPSUM BOARD (09260)
- 10 8" CMU (04810)
- 11 DOVETAIL GALV REINFORCEMENT, RE: (04810)
- 12 POURED IN PLACE CONCRETE, RE: (03300)
- 13 REINFORCE AND FILL WITH CONCRETE CMU CELL, RE: STRUCTURAL

PROJECT DESIGN GROUP, LLC
 300 LAFAYETTE STREET, SUITE 200
 NEW ORLEANS, LOUISIANA 70130
 (504) 523-6472 FAX (504) 529-1181

SIZELER THOMPSON BROWN ARCHITECTS

REK ARCHITECTS, LLC
 21489 KOOP DRIVE, SUITE 5
 MANDEVILLE, LOUISIANA 70471
 (985) 875-7534 FAX (985) 875-7837

architects

revisions		
no.	revision	date

**SLIDELL MUNICIPAL CENTER
 BUILDING 2**
 SLIDELL, LA

MISCELLANEOUS DETAILS

	file name	drawing number
	project number	51093.02
	date	9-5-09
	phase	CD

A11