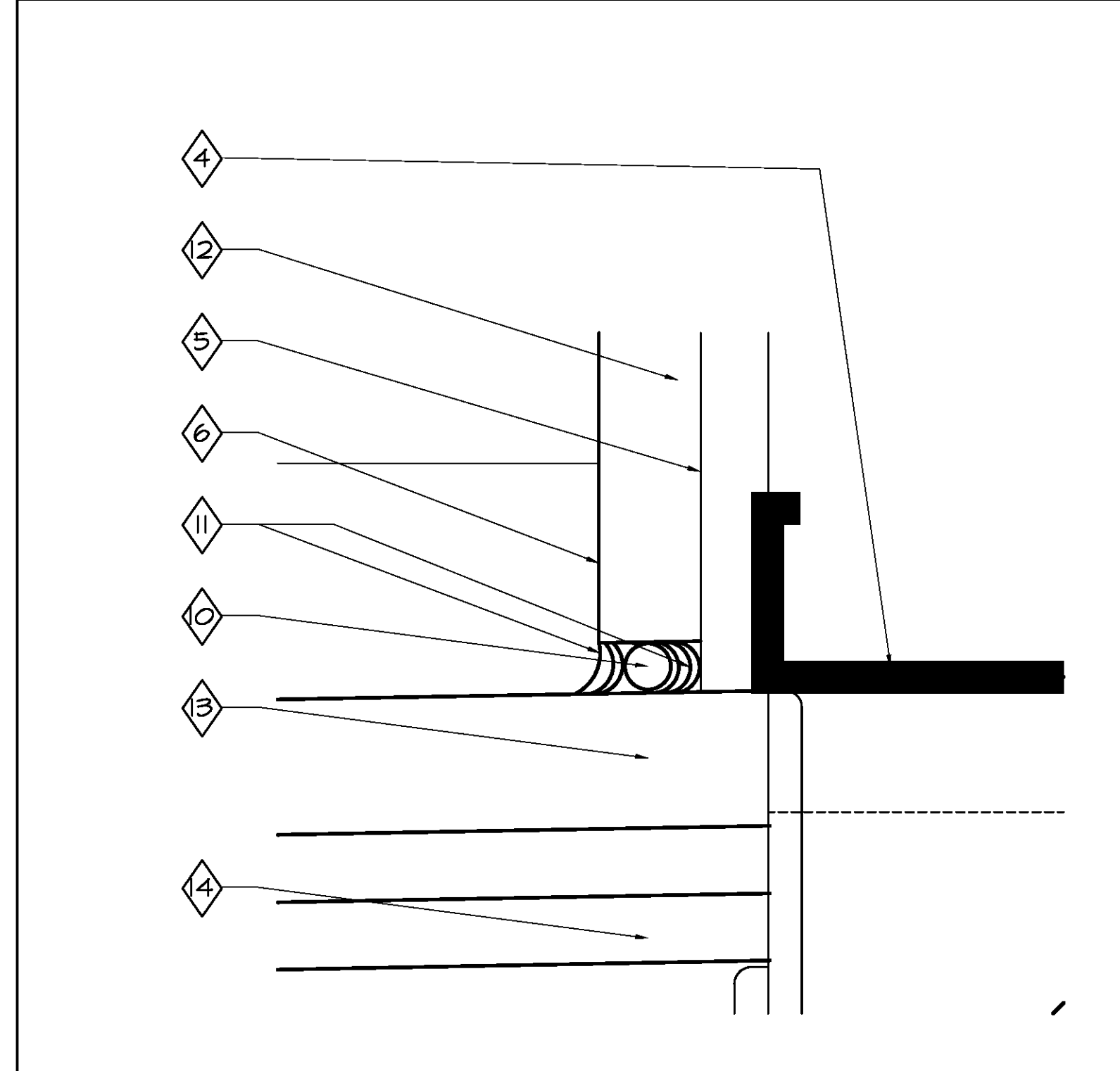
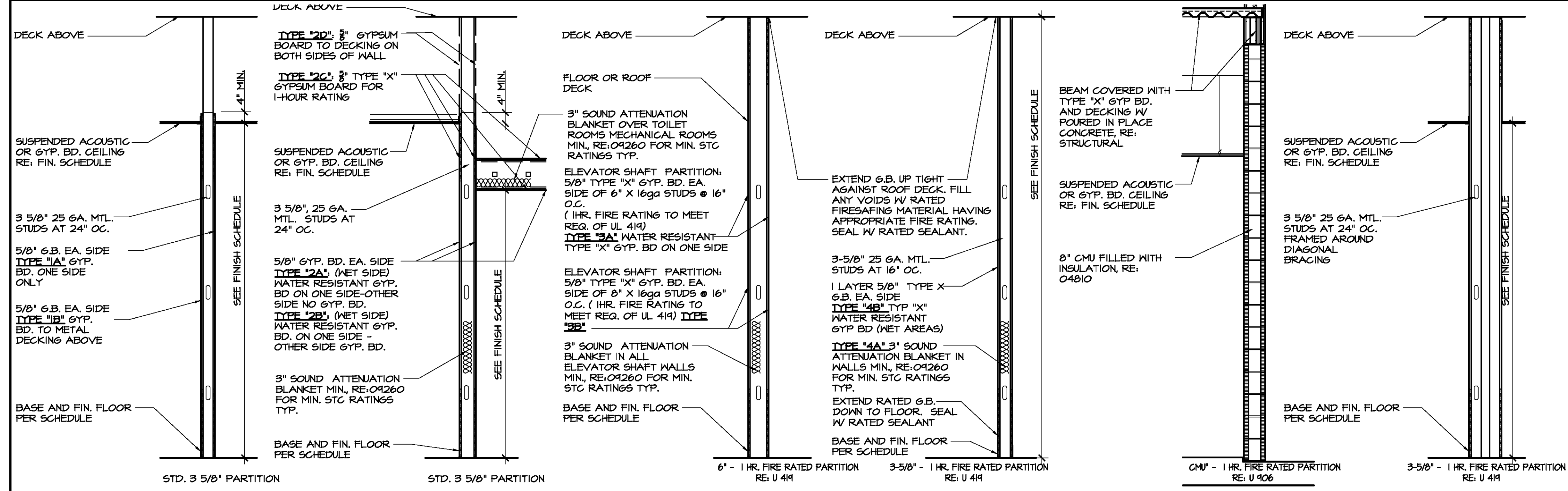


- 1 SHEET METAL COPING AND TRIM, RE: (07552)
- 2 STRUCTURAL STEEL, (GALV ALL EXTERIOR EXPOSED STEEL RE: STRUCTURAL (05120)
- 3 STEEL DECK, RE: (05310)
- 4 COLD-FORMED METAL FRAMING, RE: (09111)
- 5 3/8" GLASS-REINFORCED EXTERIOR GYP. BD, RE: (09260)
- 6 3/4" PORTLAND CEMENT PLASTER W/ 1/2" ACRYLIC FINISH COAT, RE: (09220)
- 7 BOARD & BATT INSULATION, RE: (07121)
- 8 3/8" TYPE "X" GYPSUM BOARD, RE: (09260)
- 9 DELETED
- 10 FOAM BACKER ROD, (07920)
- 11 JOINT SEALANTS, (07920)
- 12 FLUID-APPLIED MEMBRANE AIR BARRIERS APPLIED OVER EXTERIOR GYP. BD., RE: (07212)
- 13 TILE, RE: FINISH SCHEDULE, RE: (09300)
- 14 REINFORCED, HOT APPLIED MEMBRANE WATERPROOFING UNDER TILE, RE: (07141)



2. SEALANT DETAIL
SCALE: 1'-0" = 1'-0"



1 1A 1B

2 2A 2B 2C 2D

3 3A 3B

4 4A 4B

5

6

1. WALL TYPES
SCALE: 1/2" = 1'-0"

PROJECT DESIGN GROUP, LLC
300 LAFAYETTE STREET, SUITE 200
NEW ORLEANS, LOUISIANA 70130
(504) 523-6472 FAX (504) 529-1181

SIZELER THOMPSON BROWN ARCHITECTS

REK ARCHITECTS, LLC
21489 KOOP DRIVE, SUITE 5
MANDEVILLE, LOUISIANA 70471
(985) 875-7534 FAX (985) 875-7837

architects

revisions		
no.	revision	date

SLIDELL MUNICIPAL CENTER BUILDING 2
SLIDELL, LA

WALL TYPES

	file name	drawing number
	project number	51093.02
	date	9-5-09
	phase	CD

A6.8