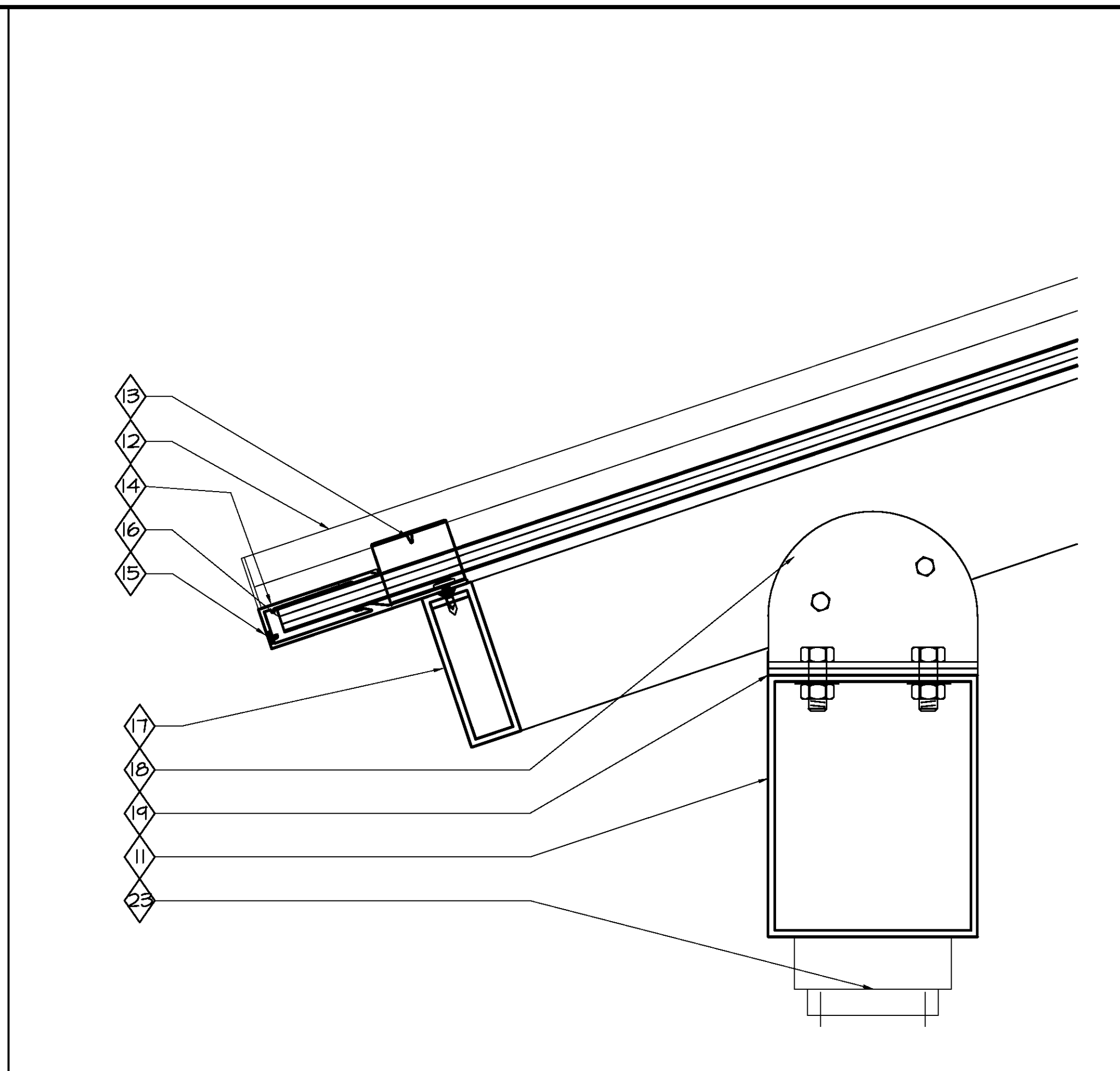
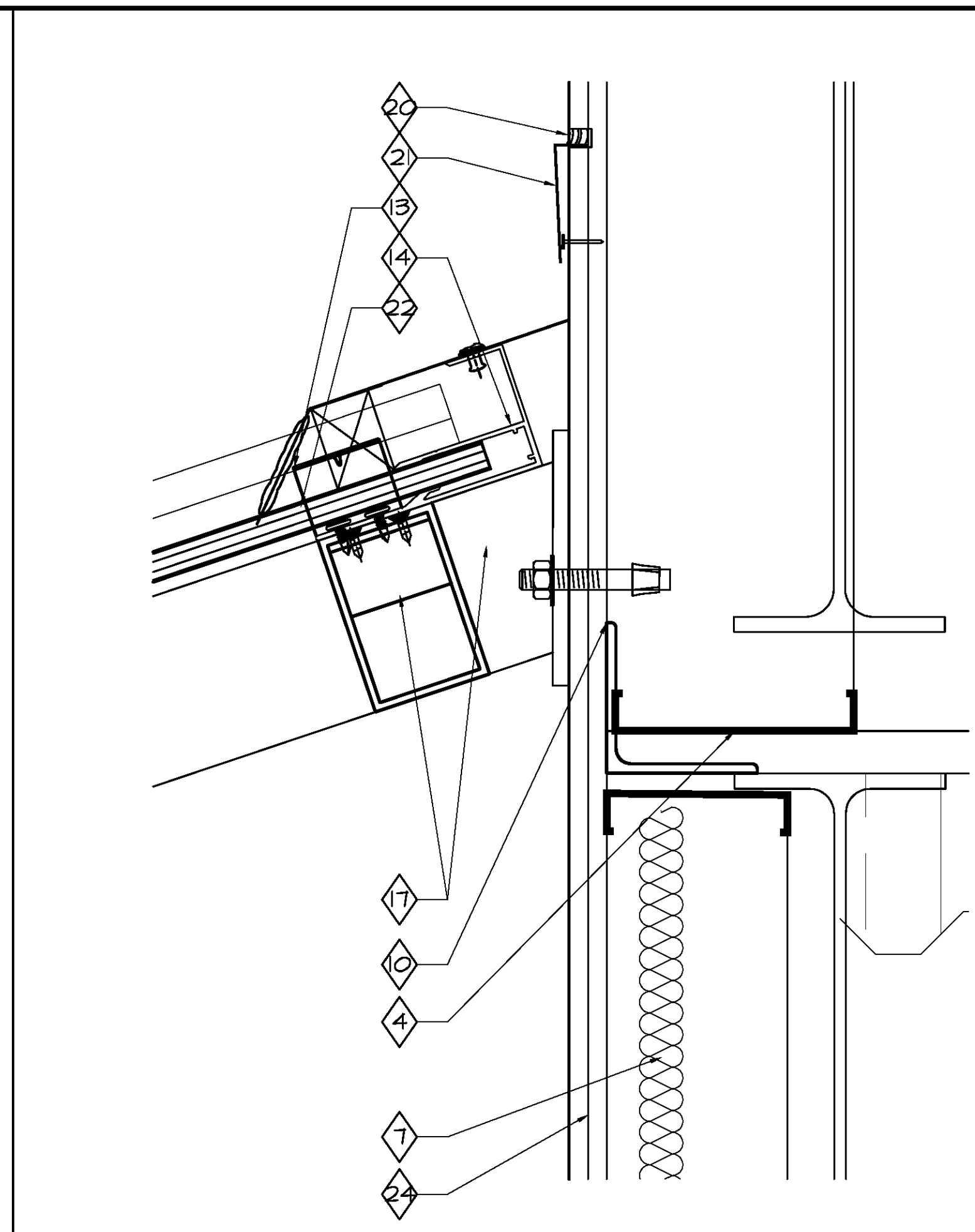


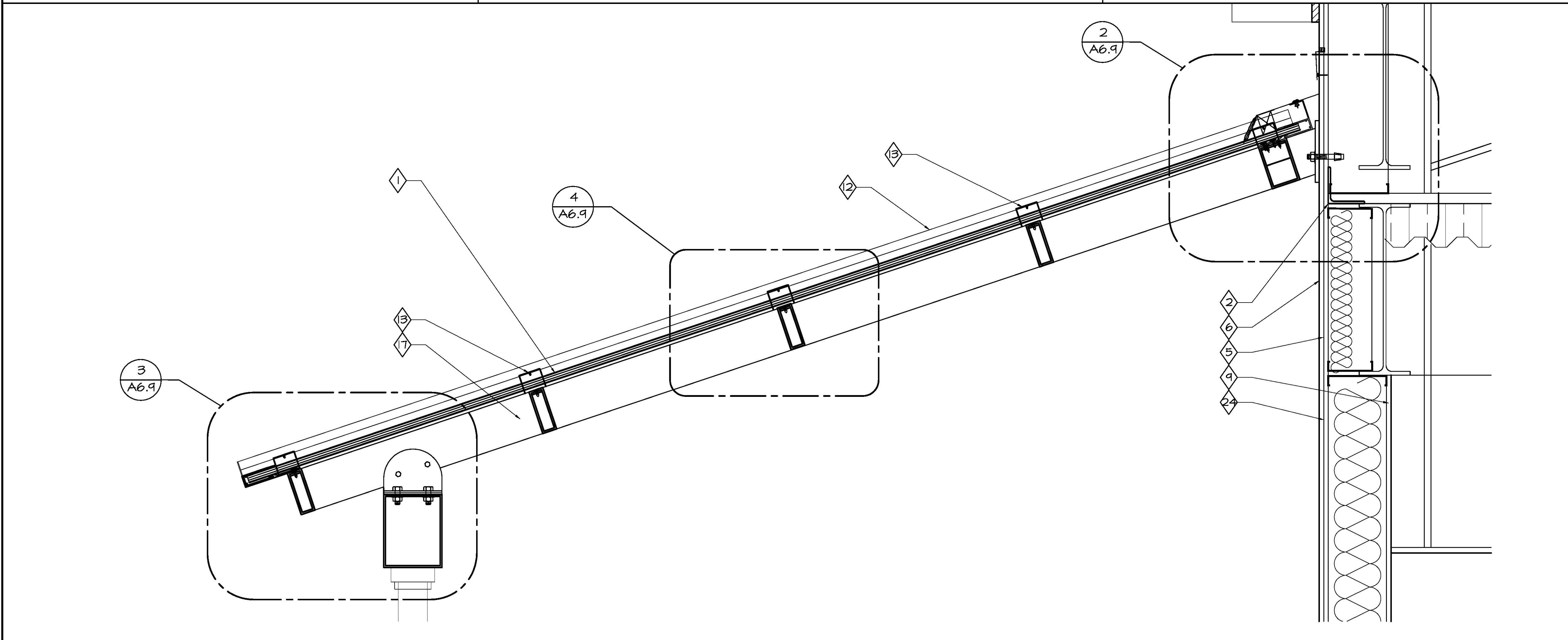
4. TRANSLUCENT PANELS DETAIL
SCALE: 3" = 1'-0"



3. TRANSLUCENT PANELS DETAIL
SCALE: 3" = 1'-0"



2. TRANSLUCENT PANELS DETAIL
SCALE: 3" = 1'-0"



1. SECTION THRU TRANSLUCENT PANELS
SCALE: 1 1/2" = 1'-0"

- 1 TRANSLUCENT ROOF ASSEMBLIES, RE: (08950)
- 2 STRUCTURAL STEEL RE: STRUCTURAL (05120)
- 3 STEEL DECK, RE: (05310)
- 4 8" COLD-FORMED METAL FRAMING, RE: (09111)
- 5 3/8" GLASS-REINFORCED EXTERIOR GYP. BD, RE: (09260)
- 6 3/4" PORTLAND CEMENT PLASTER W 1/8" ACRYLIC FINISH COAT, RE: (09220)
- 7 BATT INSULATION, RE: (07212)
- 8 METAL STAIRS, RE: (05521)
- 9 5/8" GYPSUM BOARD, RE: (09260)
- 10 STEEL BRACKET RE: STRUCTURAL (05120)
- 11 STEEL TUBE RE: STRUCTURAL (05120)
- 12 PANEL BATTEN, RE: (08950)
- 13 METAL PANEL CLIP, RE: (08950)
- 14 EXTRUDED ALUMINUM "J" RECEIVER, RE: (08950)
- 15 KEEP HOLES, RE: (08950)
- 16 HEAT SEALED POLYCARBONATE PANEL END, RE: (08950)
- 17 ALUMINUM TUBING, RE: (08950)
- 18 ALUMINUM BRACKET, RE: (08950)
- 19 RUBBER GASKET, RE: (08950)
- 20 SEALANT, RE: (07900)
- 21 ALUMINUM FLASHING, RE: (08950)
- 22 POLYCARBONATE PANEL, RE: (08950)
- 23 STEEL COLUMN RE: STRUCTURAL (05120)
- 24 FLUID-APPLIED MEMBRANE AIR BARRIERS APPLIED OVER EXTERIOR GYP. BD. (TYP), RE: (07212)

PROJECT DESIGN GROUP, LLC
300 LAFAYETTE STREET, SUITE 200
NEW ORLEANS, LOUISIANA 70130
(504) 523-6472 FAX (504) 529-1181

**SIZELER
THOMPSON
BROWN
ARCHITECTS**

REK ARCHITECTS, LLC
21489 KOOP DRIVE, SUITE 5
MANDEVILLE, LOUISIANA 70471
(985) 875-7534 FAX (985) 875-7837

architects

revisions		
no.	revision	date

**SLIDELL MUNICIPAL CENTER
BUILDING 2**
SLIDELL, LA

WALL SECTIONS THRU POLYCARBONATE ROOF

	file name	drawing number
	project number	51093.02
	date	9-5-09
	phase	CD

A6.9