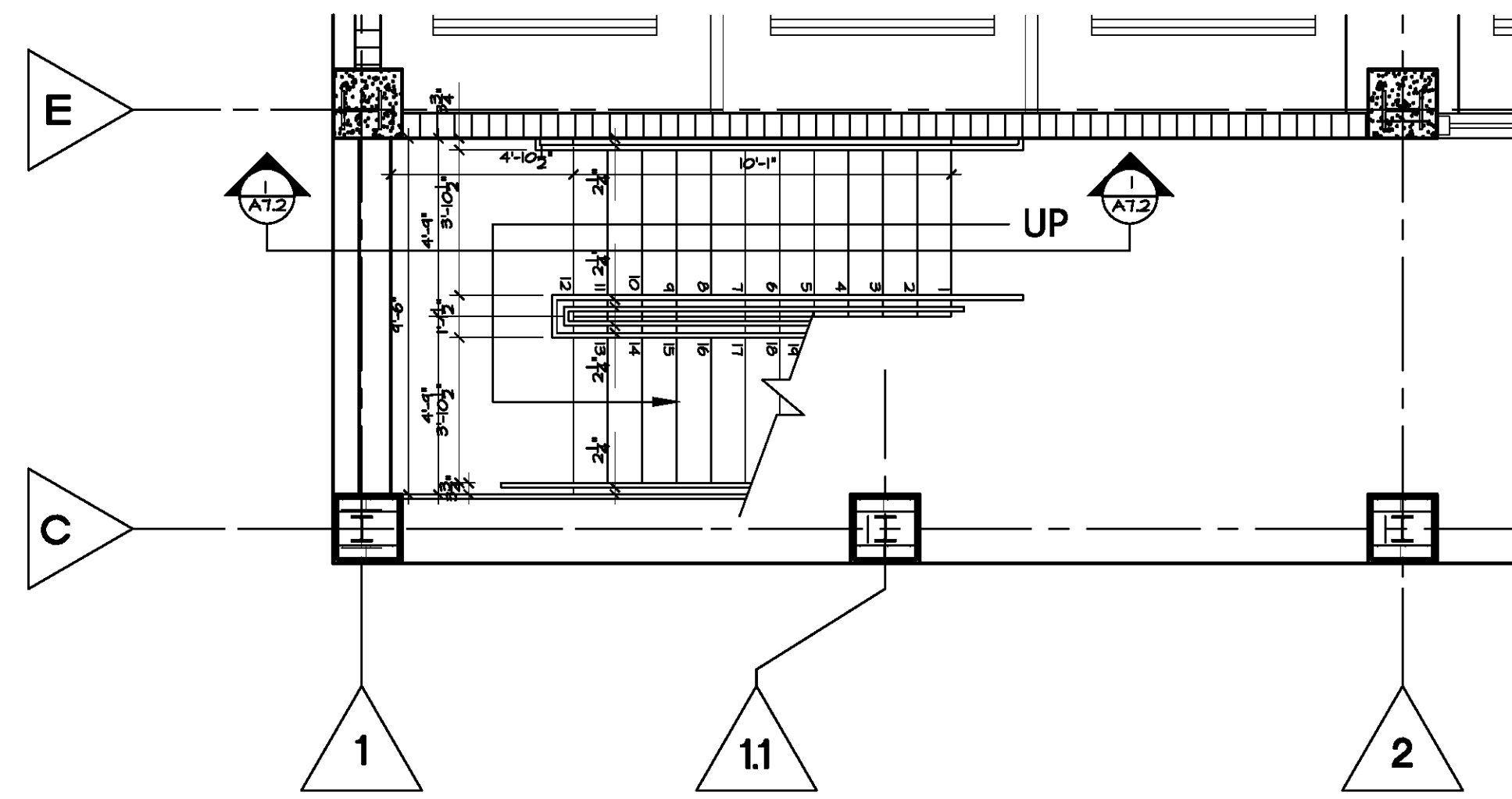
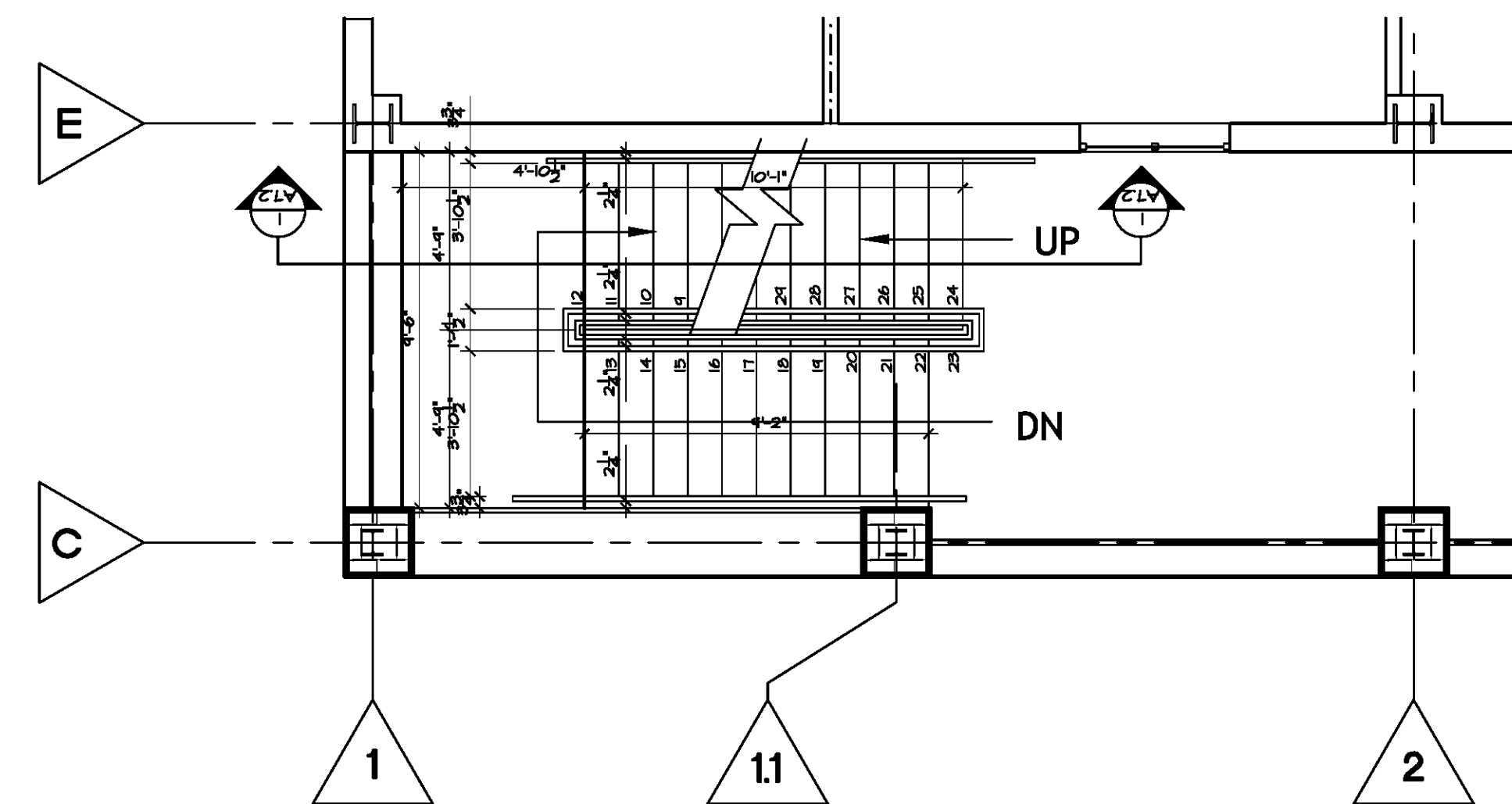


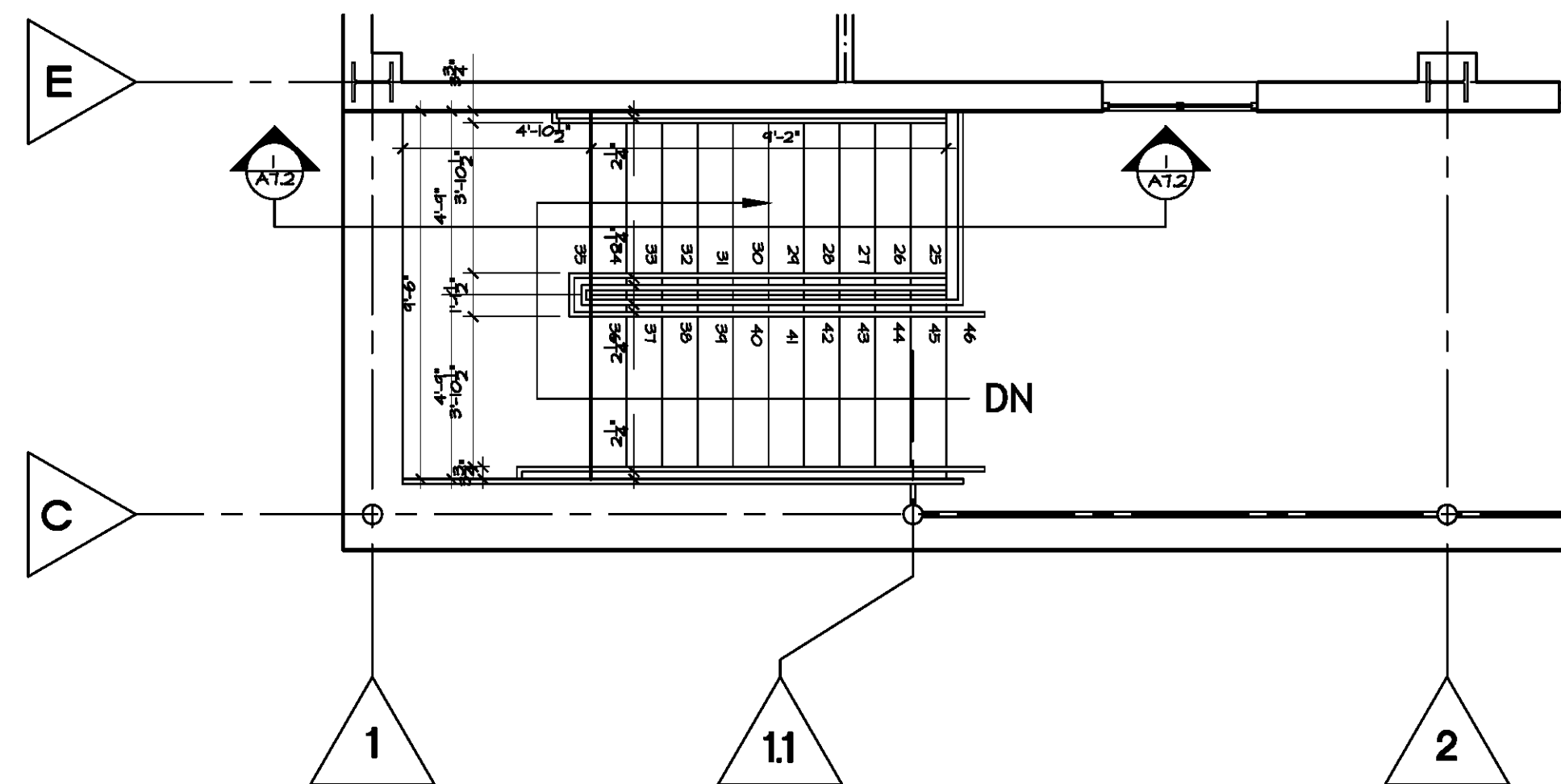
1. STAIR # 3 SECTION
 SCALE: 3/8" = 1'-0"



2. 1ST. LEVEL
 SCALE: 1/4" = 1'-0"



3. 2nd. LEVEL
 SCALE: 1/4" = 1'-0"



4. 3rd. LEVEL
 SCALE: 1/4" = 1'-0"

- 1 STRUCTURAL STEEL RE: STRUCTURAL (05120)
- 2 HANDRAILS AND RAILINGS (05520)
- 3 STEEL DECK (05310)
- 4 ACOUSTICAL TILE CEILINGS (04511)
- 5 COLD-FORMED METAL FRAMING, RE: (05400 & 04111)
- 6 ROOF HATCH MANUFACTURED ROOF SPECIALTIES (07120)
- 7 CAST-IN-PLACE CONCRETE, RE: (03300)
- 8 ALUM COPING, RE: (07552)
- 9 CERAMIC TILE-RE: FINISH SCHEDULE, RE: (04300)
- 10 REINFORCED, HOT APPLIED MEMBRANE, RE: (07141) RE:3A6.1 FOR DETAILING
- 11 5/8" GLASS-REINFORCED EXTERIOR GYP. BD, RE: (04260)
- 12 3/4" PORTLAND CEMENT PLASTER W/ 1/8" ACRYLIC FINISH COAT, RE: (04220)
- 13 METAL TUBE W/ ROD WELDED TO BEAM, RE: (05510)
- 14
- 15 5/8" CEMENT BD, RE: (04260)

PROJECT DESIGN GROUP, LLC
 300 LAFAYETTE STREET, SUITE 200
 NEW ORLEANS, LOUISIANA 70130
 (504) 523-6472 FAX (504) 529-1181

SIZELER THOMPSON BROWN ARCHITECTS

REK ARCHITECTS, LLC
 21489 KOOP DRIVE, SUITE 5
 MANDEVILLE, LOUISIANA 70471
 (985) 875-7534 FAX (985) 875-7837

architects

revisions		
no.	revision	date

**SLIDELL MUNICIPAL CENTER
 BUILDING 2**
 SLIDELL, LA

STAIR #3 - PLANS AND SECTION

	file name	drawing number
	project number	51093.02
	date	9-5-09
	phase	CD

A7.2