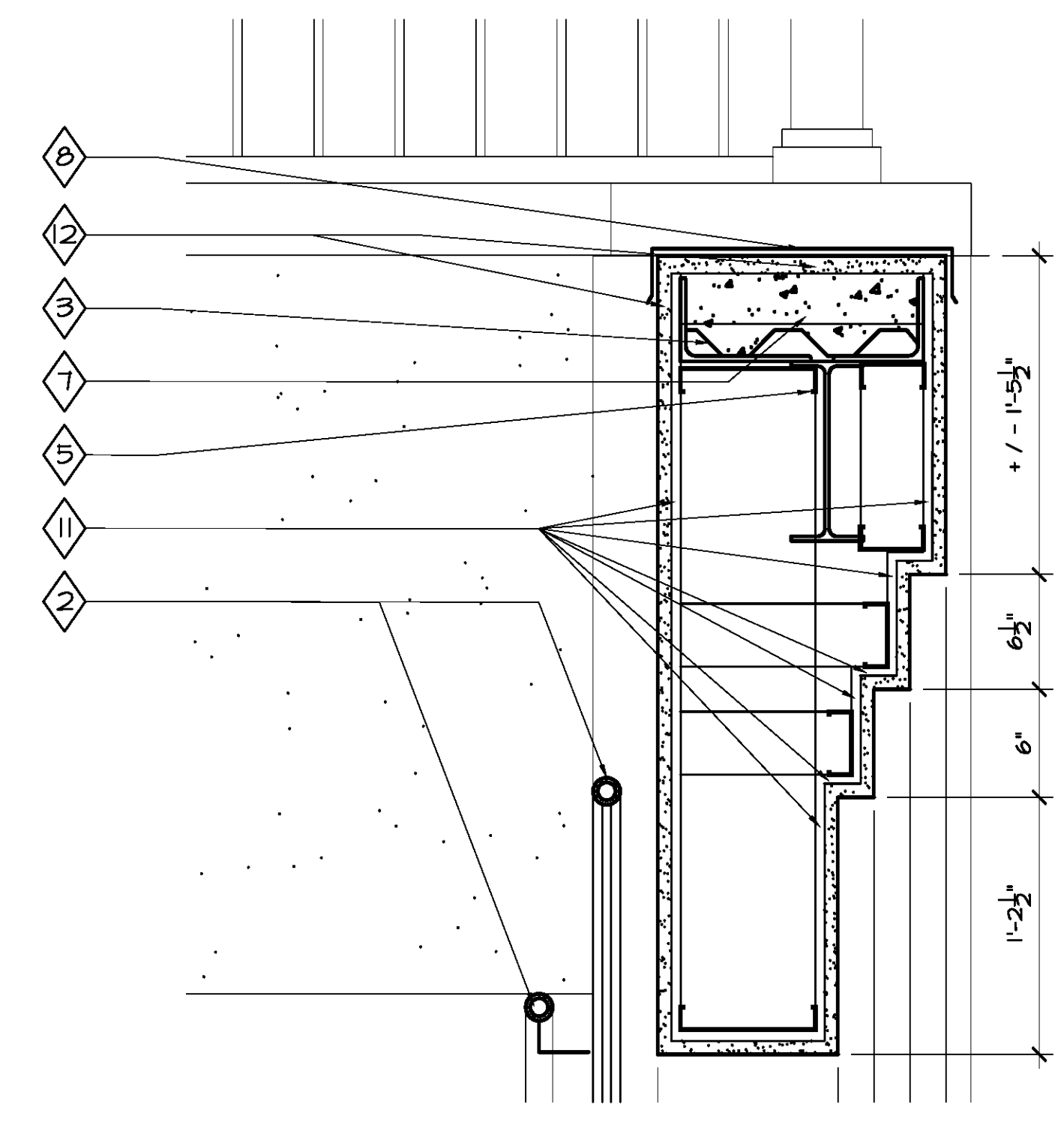
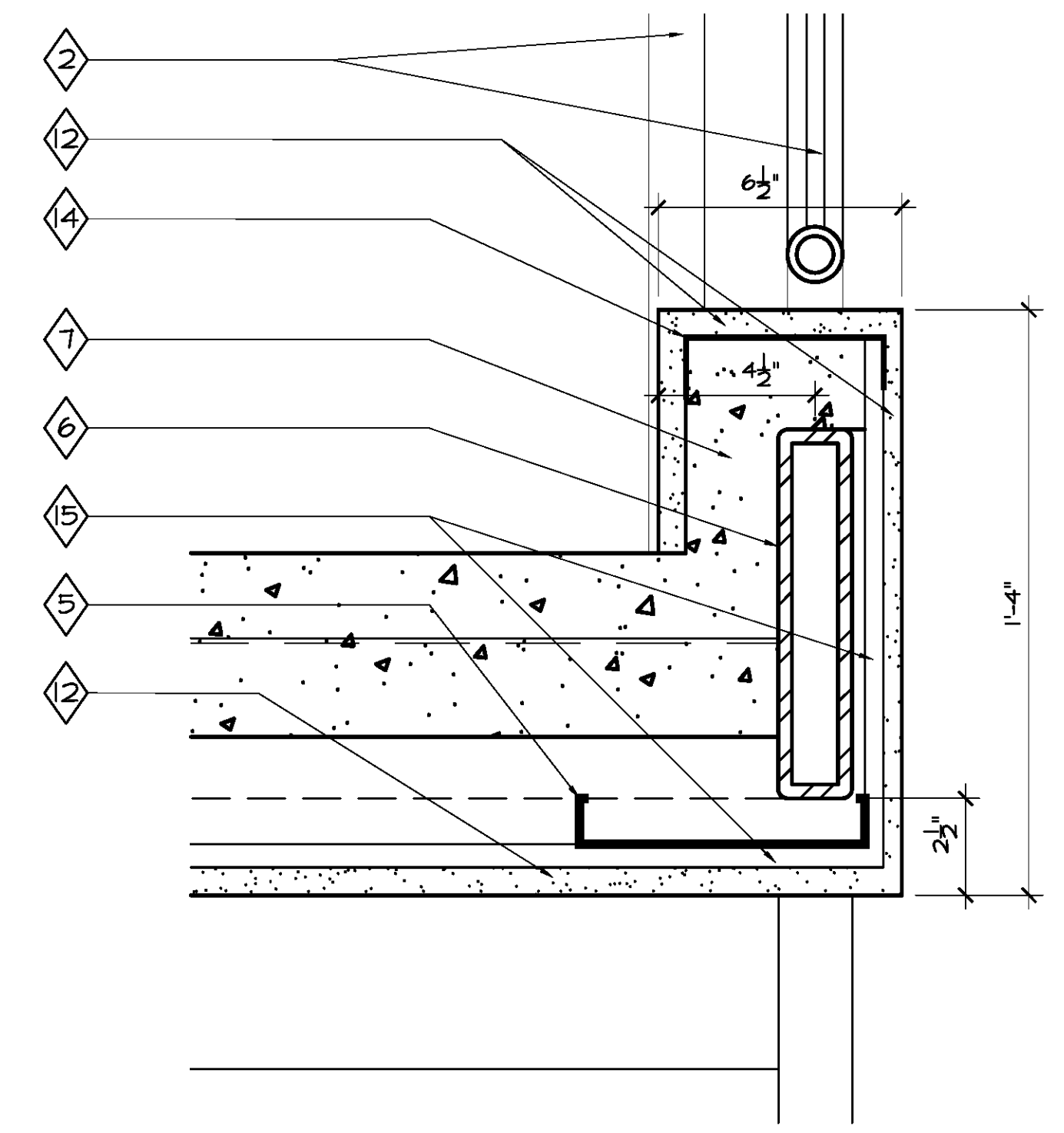


**1. SECTION THRU EXTERIOR STAIR LANDINGS**  
SCALE: 1/2" = 1'-0"



**2. SECTION THRU CORNICE**  
SCALE: 1 1/2" = 1'-0"



**3. SECTION THRU LANDING EDGE**  
SCALE: 3" = 1'-0"

- 1 STRUCTURAL STEEL RE: STRUCTURAL (05120)
- 2 HANDRAILS AND RAILINGS (05520)
- 3 STEEL DECK (05310)
- 4 ACOUSTICAL TILE CEILINGS (04511)
- 5 COLD-FORMED METAL FRAMING, RE: (05400 & 04111)
- 6 METAL STAIRS (05510)
- 7 CAST-IN-PLACE CONCRETE, RE: (03300)
- 8 ALUM COPING, RE: (07552)
- 9 TILE-RE: FINISH SCHEDULE, RE: (04300)
- 10 REINFORCED, HOT APPLIED MEMBRANE, RE: (07141) RE:3A6.1 FOR DETAILING
- 11 3/8" GLASS-REINFORCED EXTERIOR GYP. BD, RE: (04260)
- 12 3/4" PORTLAND CEMENT PLASTER W/ 1/8" ACRYLIC FINISH COAT, RE: (04220)
- 13 METAL TUBE W/ ROD WELDED TO BEAM, RE: (05510)
- 14 MEMBRANE FLASHING, RE: (04810)
- 15 3/8" CONCRETE BD, RE: (04260)

**PROJECT DESIGN GROUP, LLC**  
300 LAFAYETTE STREET, SUITE 200  
NEW ORLEANS, LOUISIANA 70130  
(504) 523-6472 FAX (504) 529-1181

**SIZELER THOMPSON BROWN ARCHITECTS**

**REK ARCHITECTS, LLC**  
21489 KOOP DRIVE, SUITE 5  
MANDEVILLE, LOUISIANA 70471  
(985) 875-7534 FAX (985) 875-7837

**architects**

revisions		
no.	revision	date

**SLIDELL MUNICIPAL CENTER  
BUILDING 2**  
SLIDELL, LA

SECTION THRU EXTERIOR STAIR LANDINGS

	file name	drawing number
	project number	51093.02
	date	9-5-09
	phase	CD

**A7.3**