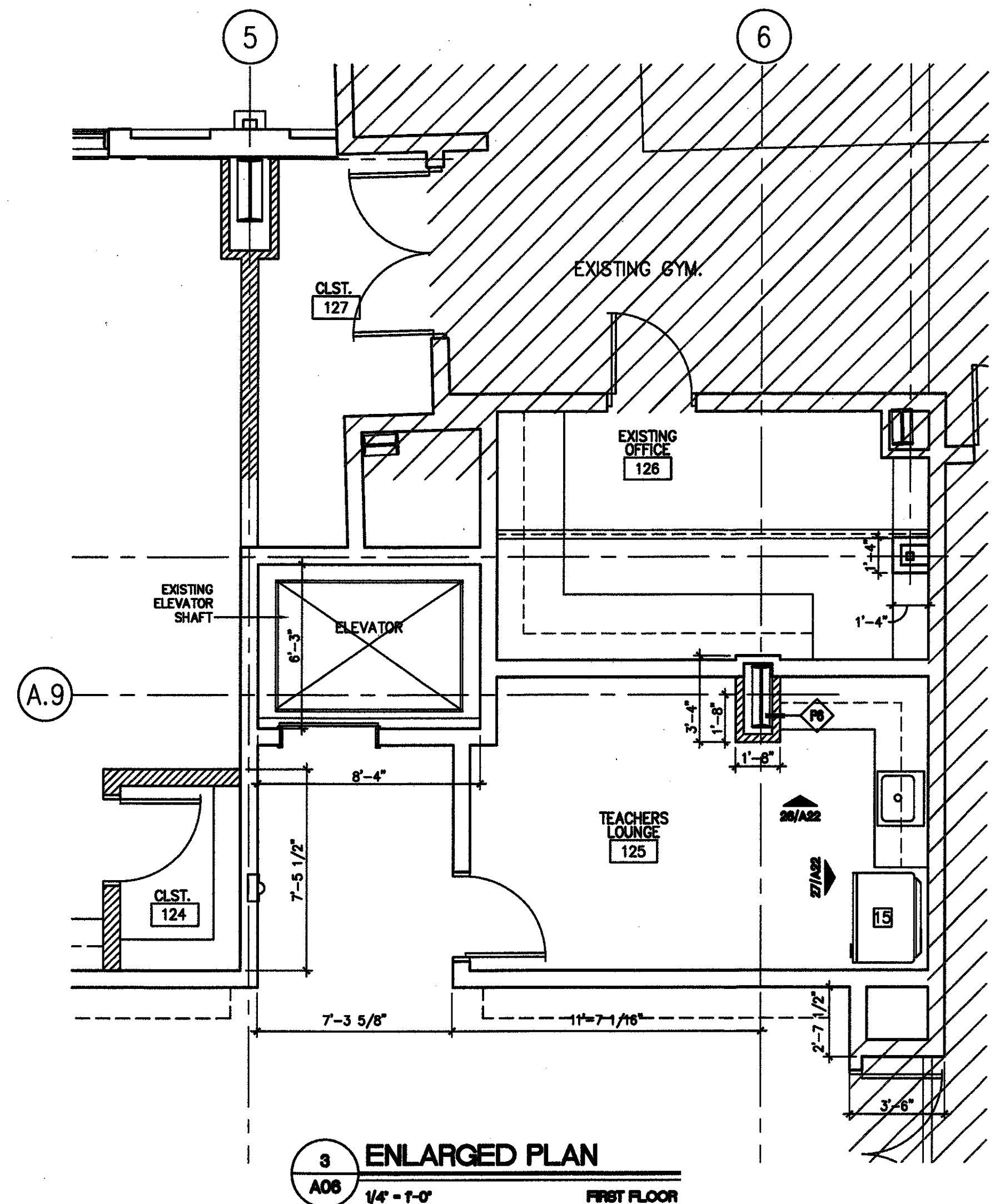
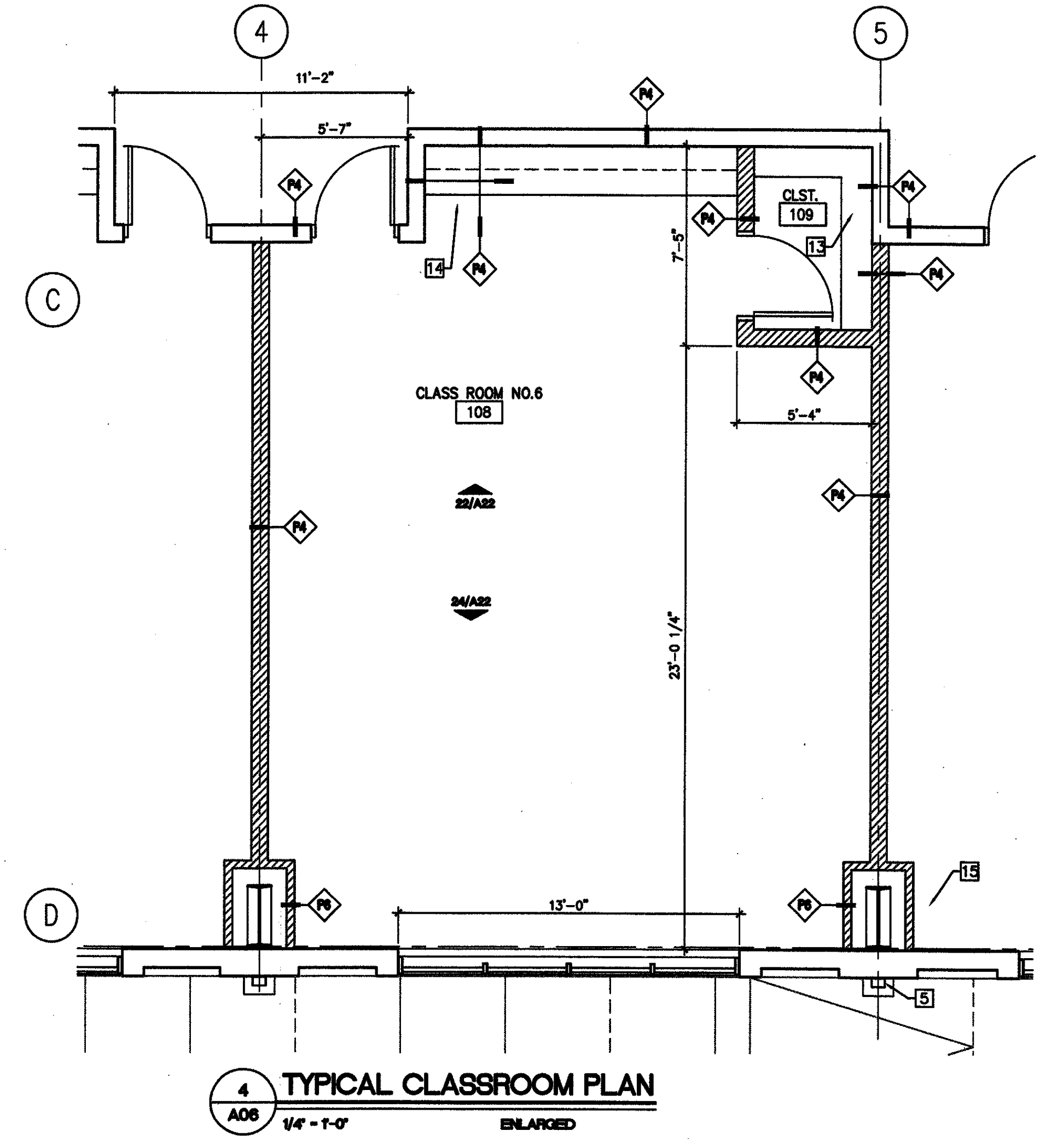


1 SCHOOL OFFICE PLAN  
A06 1/4" = 1'-0" FIRST FLOOR



3 ENLARGED PLAN  
A06 1/4" = 1'-0" FIRST FLOOR



4 TYPICAL CLASSROOM PLAN  
A06 1/4" = 1'-0" ENLARGED

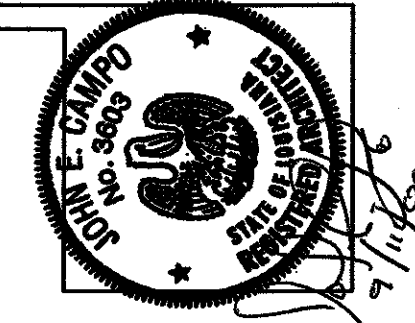
KEYNOTES	
1	ELECTRIC DRINKING FOUNTAIN (SEE MECH.)
2	FIRE EXTINGUISHER CABINET W/FIRE EXTINGUISHER MOUNT CENTERLINE OF CABINET = 40" A.F.F.
3	SEMI-RECESSED FIRE EXTINGUISHER AND BRACKET
5	DOWN SPOUT
6	JANITOR SINK
7	FLOOR DRAIN
8	KITCHEN SINK
9	REQUIRED CLEAR FLOOR AREA AS PER ADAAG.
10	WALL MOUNTED WATER CLOSET
11	FLOOR MOUNTED URINAL
12	WALL MOUNTED LAVATORY
13	FIXED SHELVING. SEE 2/A242
14	36" X 36" CHASE CAVITY. SEE MECH.
15	REFRIGERATOR (N.L.C.)

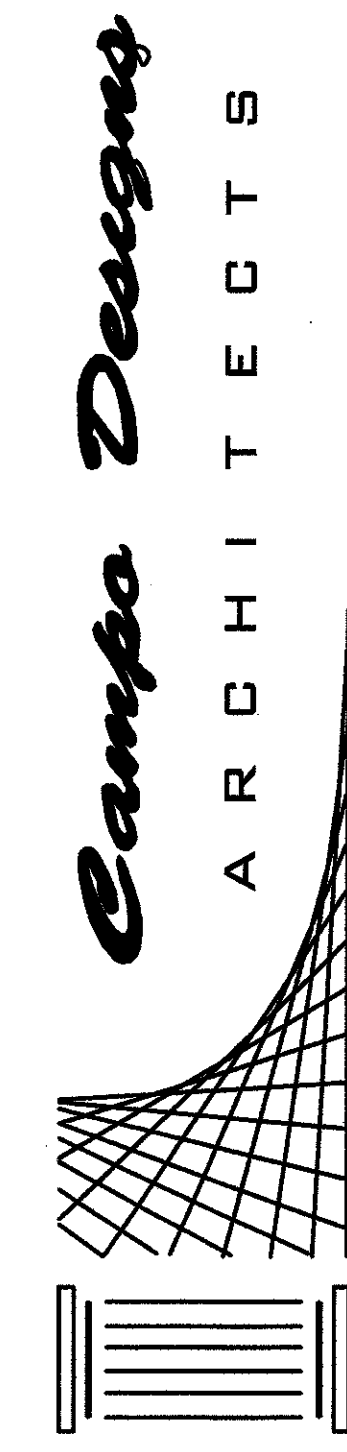
TOILET ACCESSORY LEGEND	
1	36" LONG STAINLESS STEEL GRAB BAR. MOUNT CENTERLINE OF GRAB BAR = 2'-0" A.F.F.
2	42" LONG STAINLESS STEEL GRAB BAR. MOUNT CENTERLINE OF GRAB BAR = 2'-0" A.F.F.
3	TOILET PAPER DISPENSER
4	WALL MOUNTED PAPER TOWEL DISPENSER
5	FRAMED MIRROR 24 X 36

LEGEND	
	EXISTING ON USE
	EXISTING WALL CONSTRUCTION
	EXISTING WALL CONSTRUCTION



John E. Campo, Architect  
105 Ducaquet Dr.  
Destrehan, LA 70047  
(985) 764-8959



MSGR. JOHN N. PHUC  
EDUCATION CENTER - FINAL PHASE  
13396 RIVER ROAD, DESTREHAN, LOUISIANA  
ST. CHARLES BORROMEO CATHOLIC CHURCH PARISH

A06

SHEET 7 OF 29

DATE:  
SEPT. 11, 2009  
CD - 1705