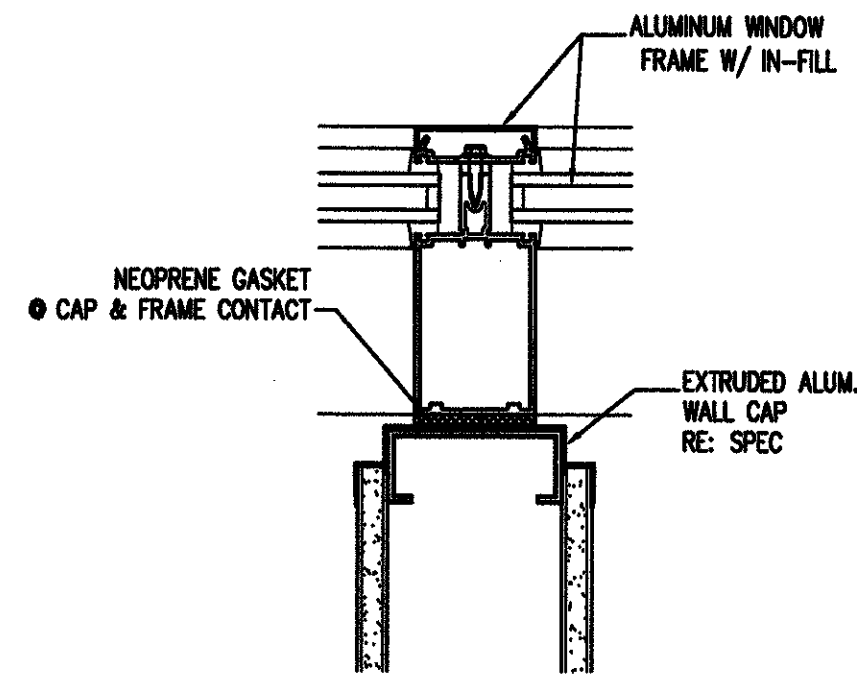


NOTE:
DIFFERENT CONDITIONS EXIST AT
DIFFERENT ELEVATIONS FOR EACH OF
THE IDENTIFIED PLAN DETAILS. SEE 2/A07
FOR PLAN DETAIL HEIGHT KEY.
(WHERE THE SECTION IS CUT)

NOTE:
SEE STRUCTURAL DRAWINGS FOR CMU
CELL. SOLID FILL REQUIREMENTS, &
VERTICAL & HORIZONTAL REINFORCEMENT
REQUIREMENTS.

1 PLAN DETAIL
A09 1'-1'-0" HEIGHT A

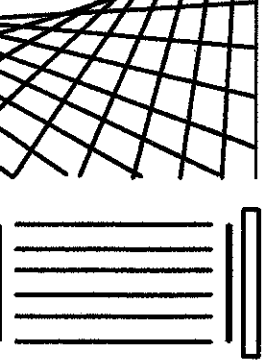


3 PLAN DETAIL
A09 1'-1'-0"



John E. Campo, Architect
105 Ducaquet Dr.
Destrehan, LA 70047
(985) 764-8959

Campo Design
ARCHITECTS



MSGR. JOHN N. PHUC
EDUCATION CENTER - FINAL PHASE
13396 RIVER ROAD, DESTREHAN, LOUISIANA
ST. CHARLES BORROMEO CATHOLIC CHURCH PARISH

A09

SHEET 10 OF 29

DATE:
SEPT. 11, 2009
CD - 1705