

John E. Campo, Architect  
 105 Ducaquet Dr.  
 Destrehan, LA 70047  
 (985) 764-8959

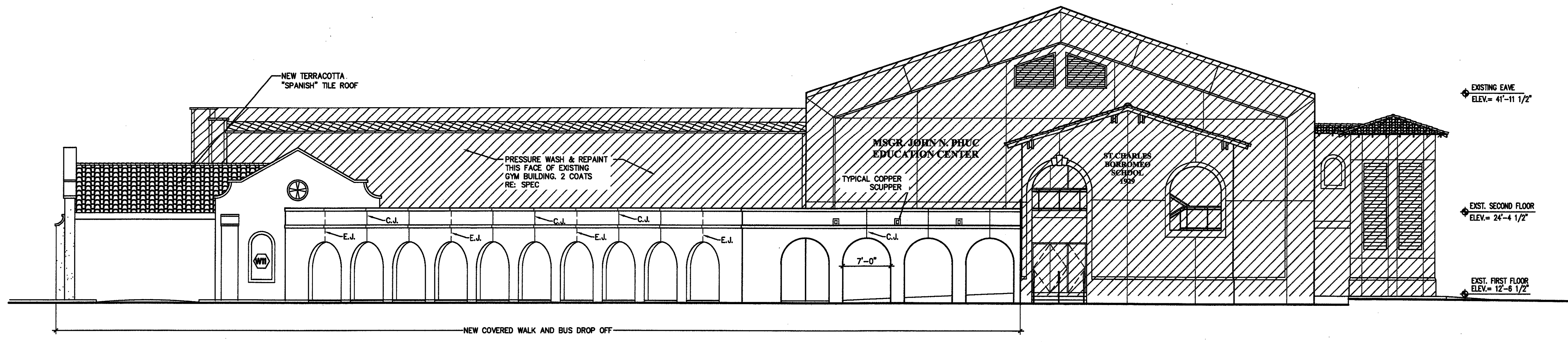
**Campo Design**  
 ARCHITECTS

MSGR. JOHN N. PHUC  
 EDUCATION CENTER - FINAL PHASE  
 13396 RIVER ROAD, DESTREHAN, LOUISIANA  
 ST. CHARLES BORROMEO CATHOLIC CHURCH PARISH

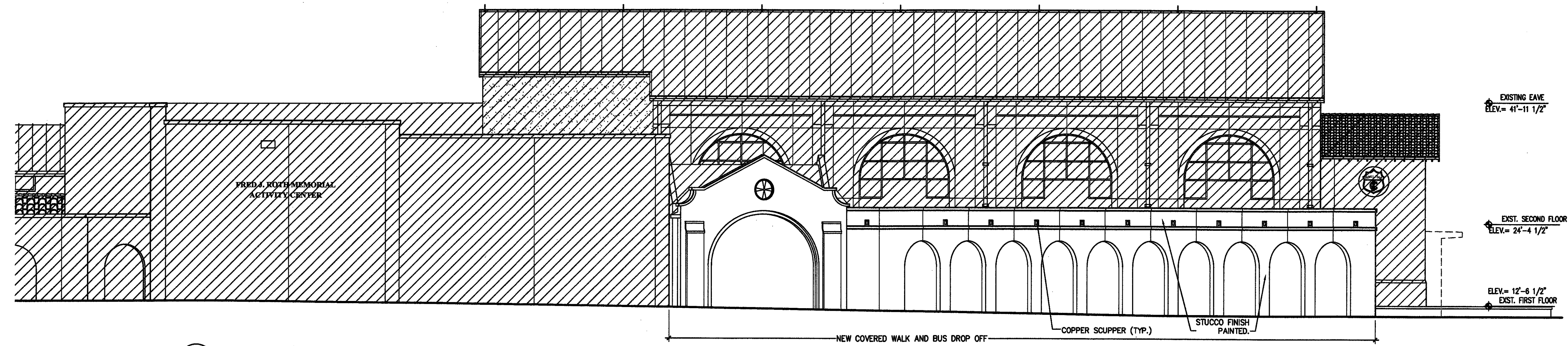
**A14**

SHEET 15 OF 29

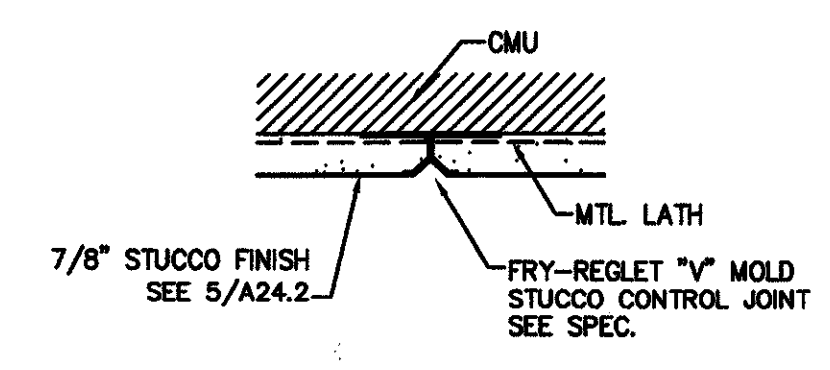
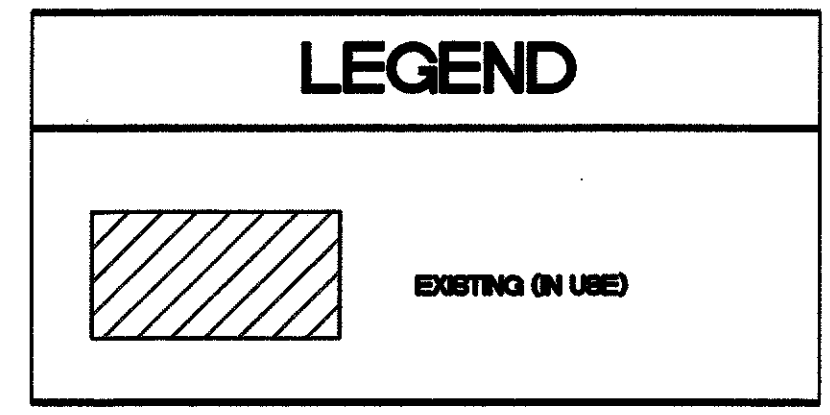
DATE:  
 SEPT. 11, 2009  
 CD - 1705



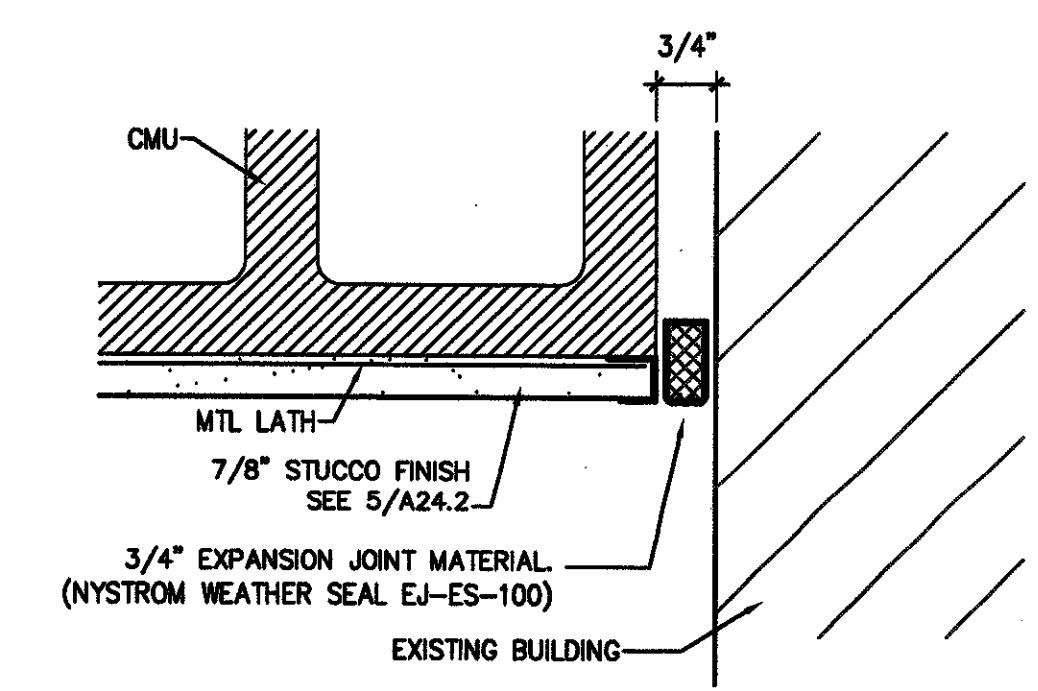
**1 NORTH ELEVATION**  
 A14 1/8" = 1'-0" W/ ALTERNATE NO.1



**2 NORTH ELEVATION**  
 A14 1/8" = 1'-0" W/ ALTERNATE NO.1



**3 STUCCO CONTROL JOINT**  
 A14 5" = 1'-0"



**4 BUILDING EXPANSION JOINT**  
 A14 5" = 1'-0"