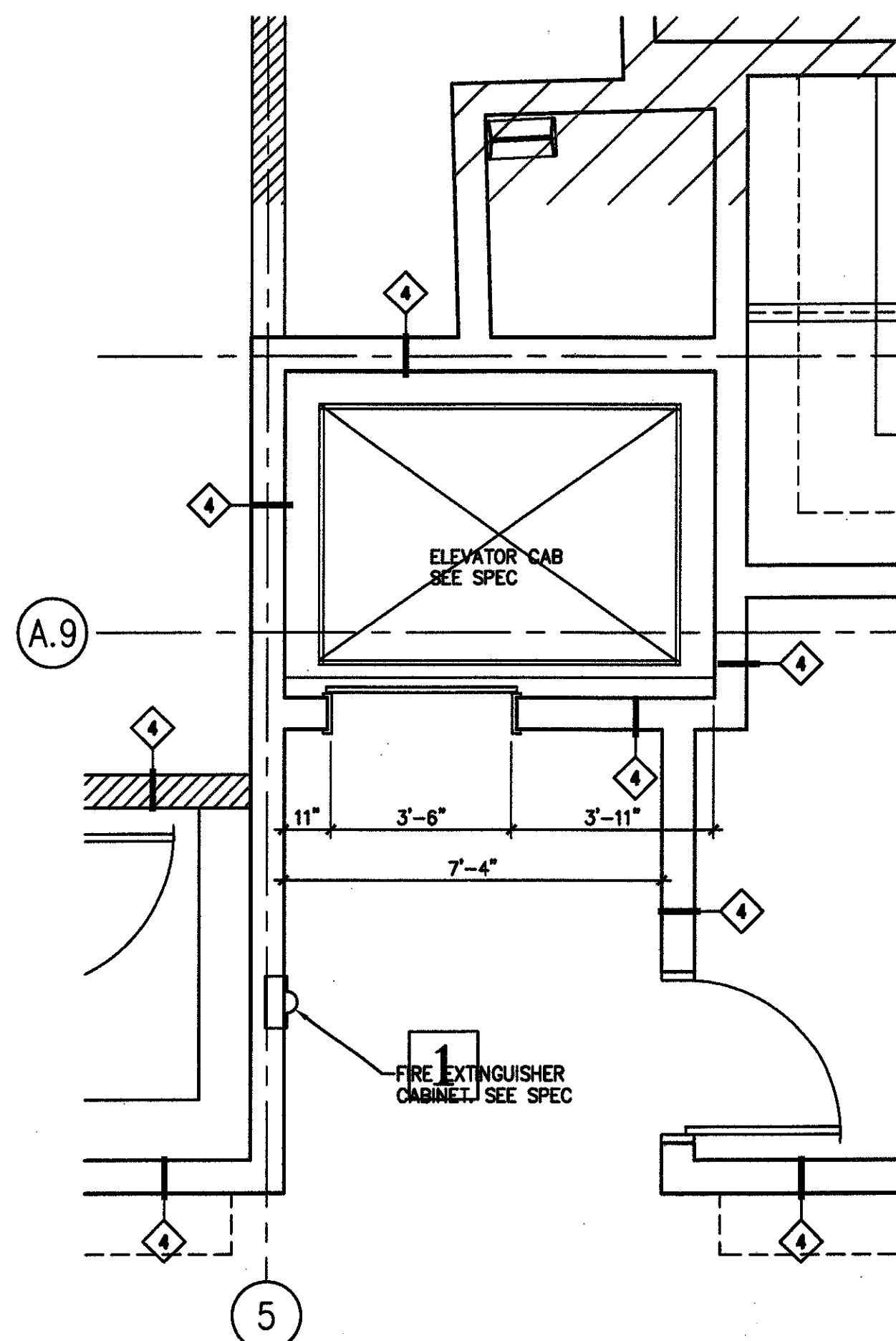
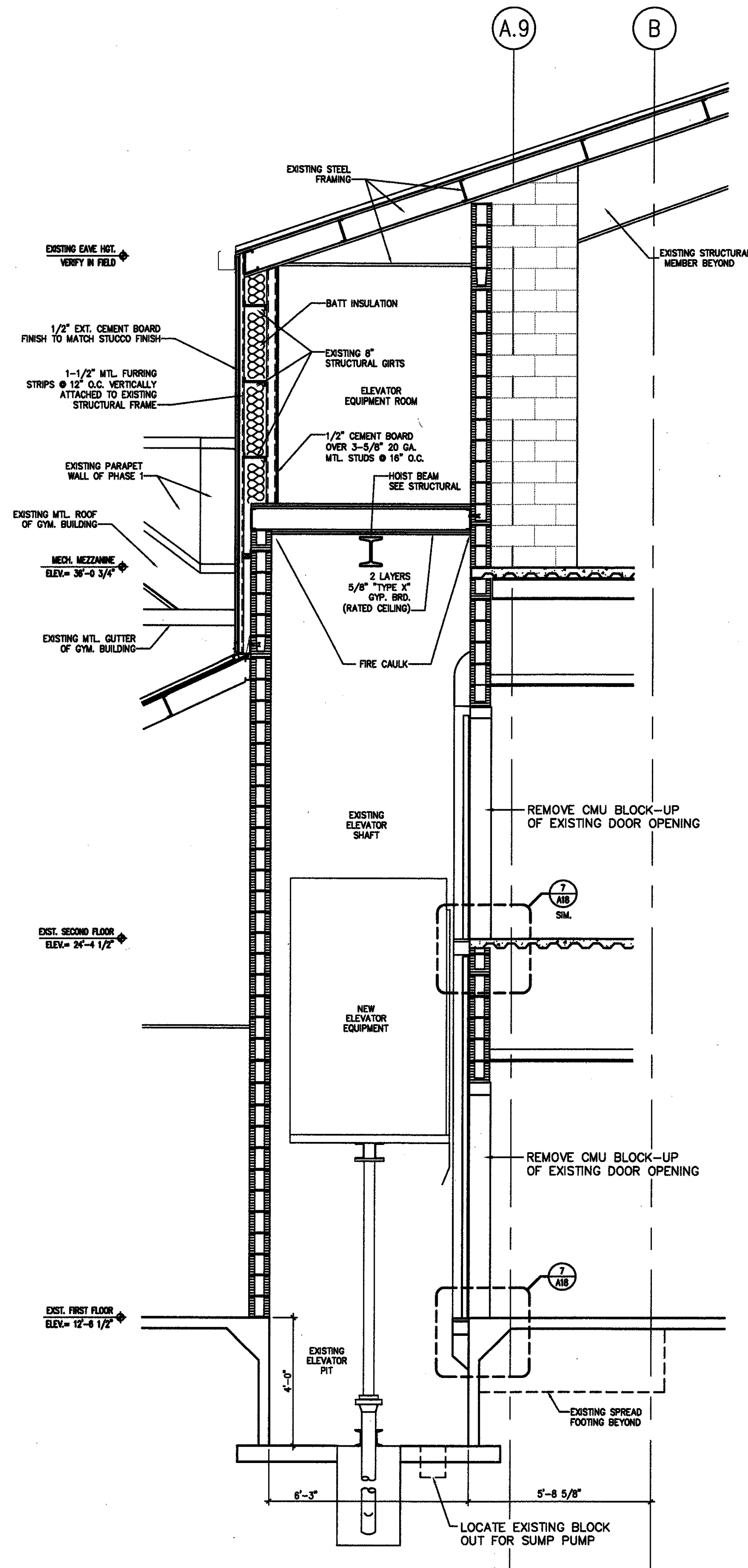


1 SECOND FLOOR PLAN
A/B 3/8" - 1'-0"

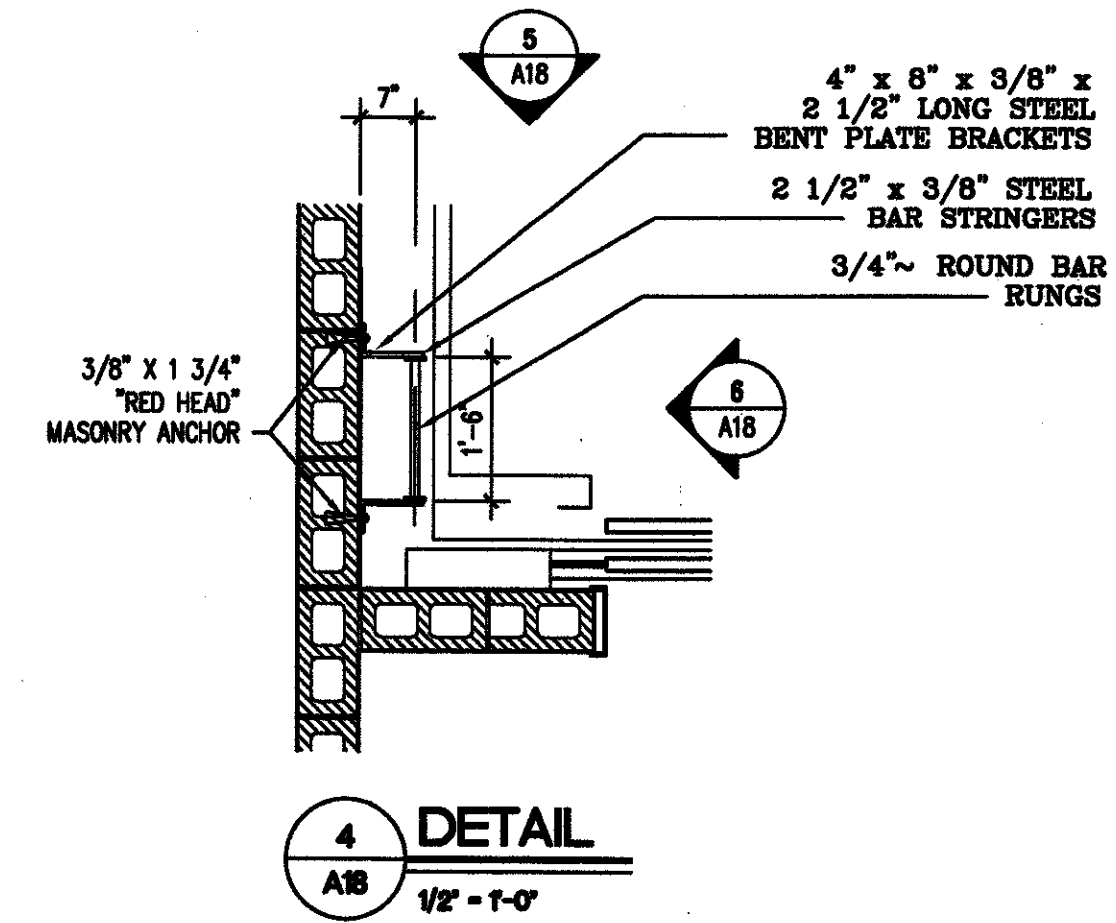


2 FIRST FLOOR PLAN
A/B 3/8" - 1'-0"

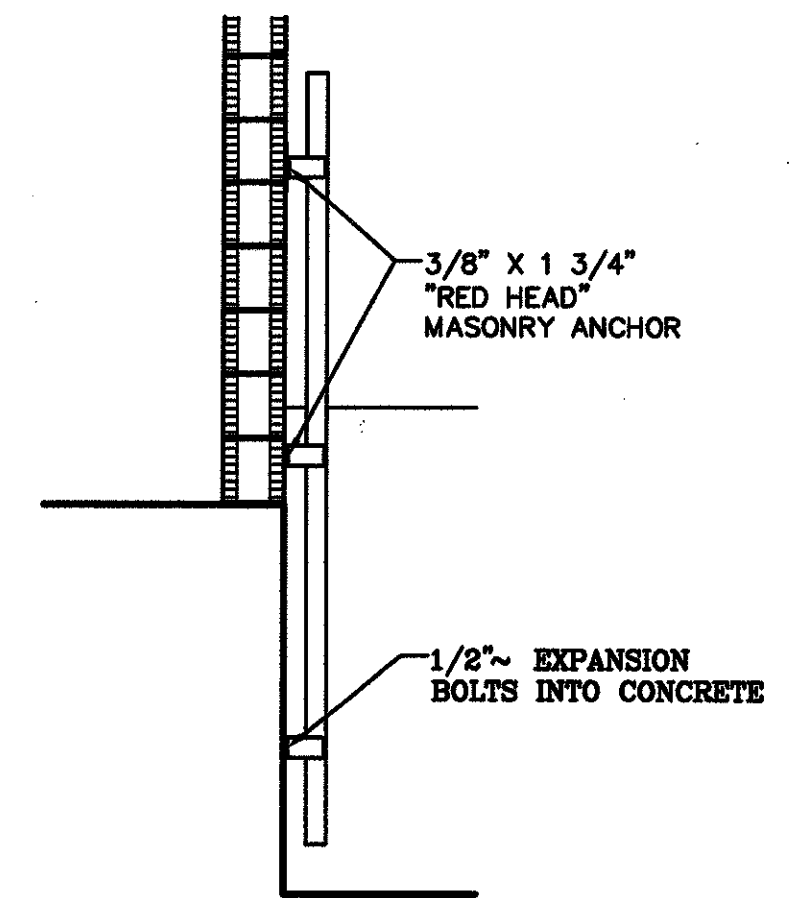


3 SECTION
A/B 3/8" - 1'-0"

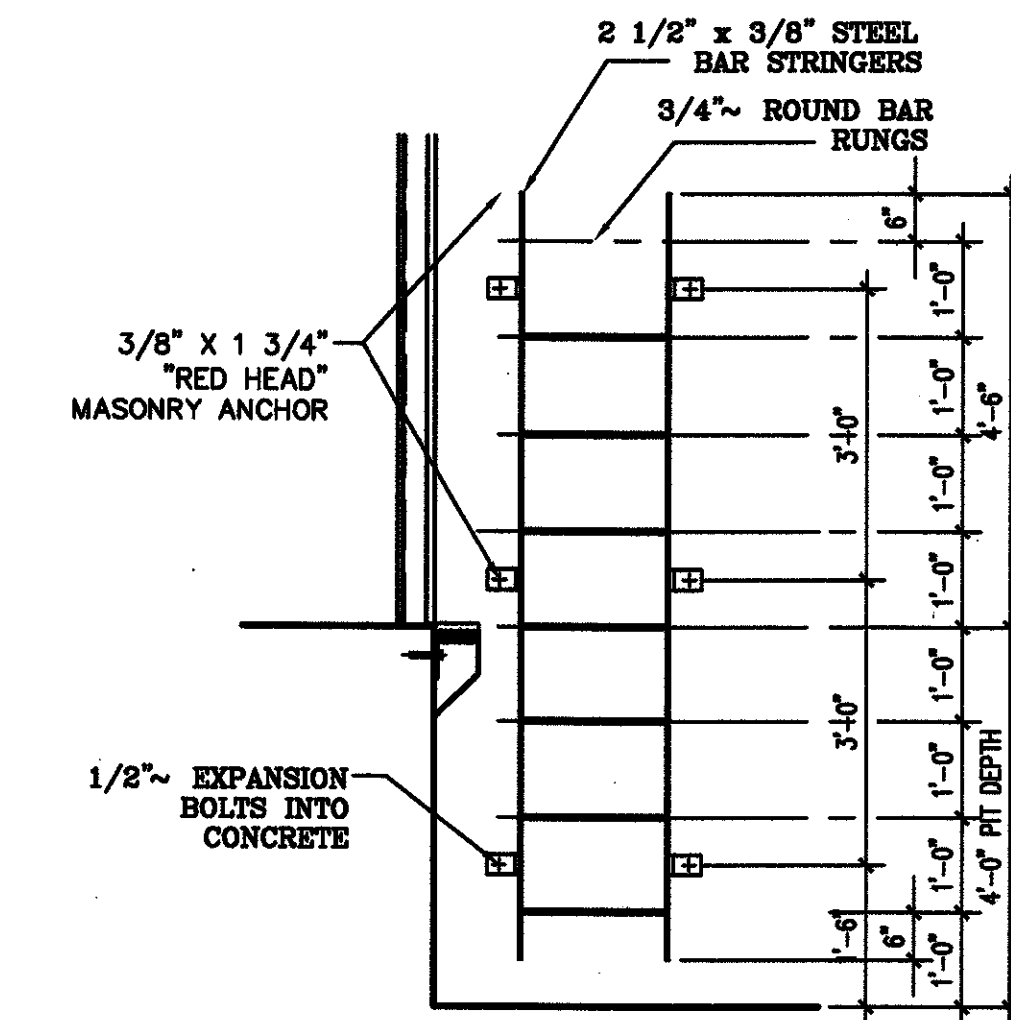
NOTE:
 * CMU ELEVATOR SHAFT IS EXISTING.
 * CRYSTALLINE WATERPROOFING IS EXISTING.
 * ALL ELEVATOR EQUIPMENT & ACCESSORIES ARE TO BE NEW.
 * AFTER INSTALLATION, CONTRACTOR TO RE-APPLY WATER PROOFING.



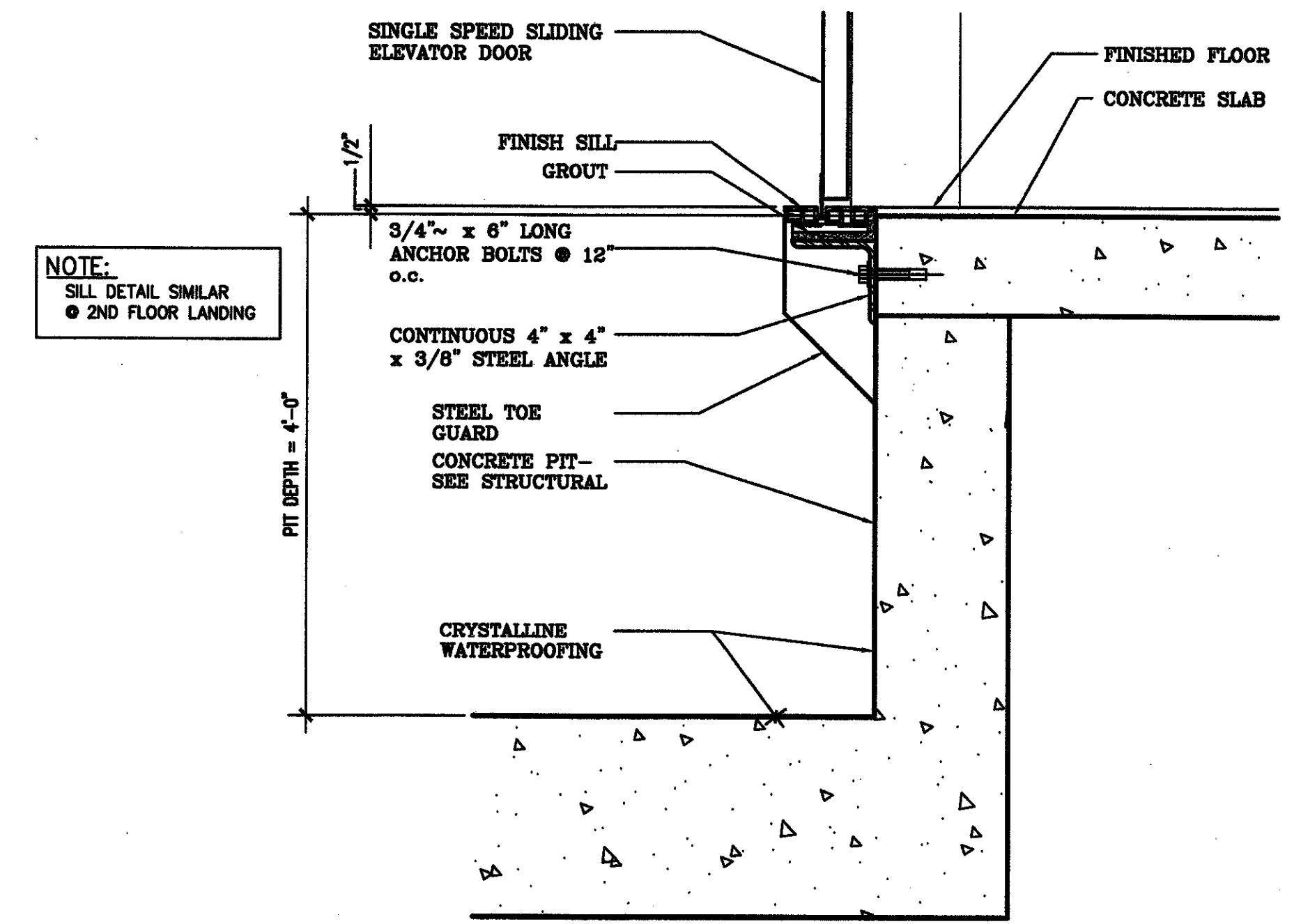
4 DETAIL
A/B 1/2" - 1'-0"



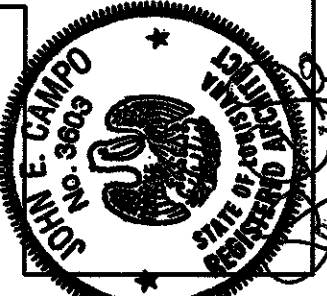
5 DETAIL
A/B 1/2" - 1'-0"



6 DETAIL
A/B 1/2" - 1'-0"



7 DETAIL
A/B 1/2" - 1'-0"



John E. Campo, Architect
 105 Ducaquet Dr.
 Destrehan, LA 70047
 (985) 764-8889

Campo Design
 ARCHITECTS

MSGR. JOHN N. PHUC
EDUCATION CENTER - FINAL PHASE
 13396 RIVER ROAD, DESTREHAN, LOUISIANA
 ST. CHARLES BORROMEO CATHOLIC CHURCH PARISH

A18

SHEET 19 OF 29

DATE:
 SEPT. 11, 2009
 CD - 1705