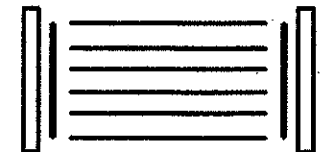


John E. Campo, Architect
 105 Ducajet Dr.
 Destrehan, LA 70047
 (985) 764-8959

Campo Designs
 ARCHITECTS

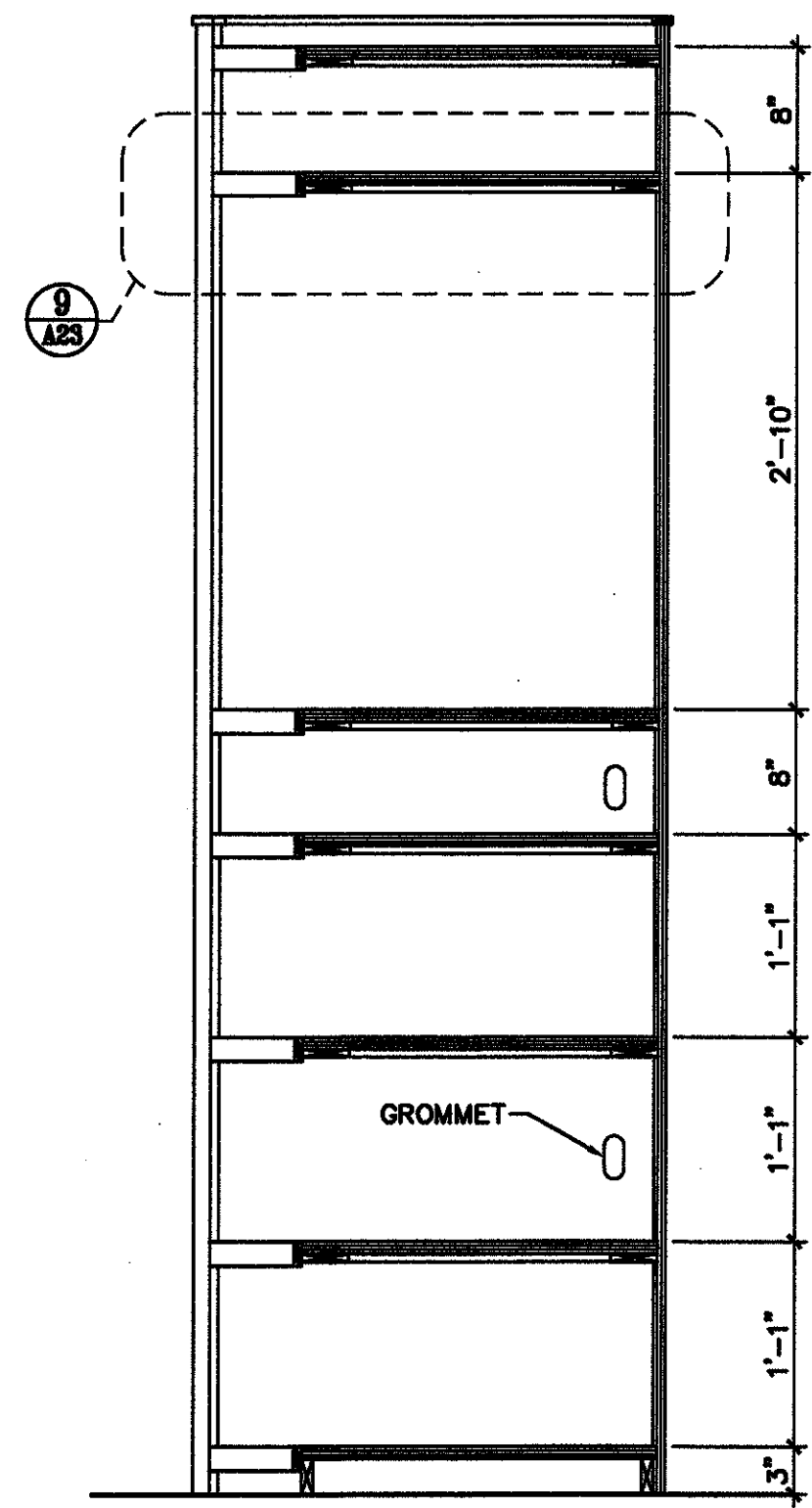


MSGR. JOHN N. PHUC
 EDUCATION CENTER - FINAL PHASE
 13396 RIVER ROAD, DESTREHAN, LOUISIANA
 ST. CHARLES BORROMEO CATHOLIC CHURCH PARISH

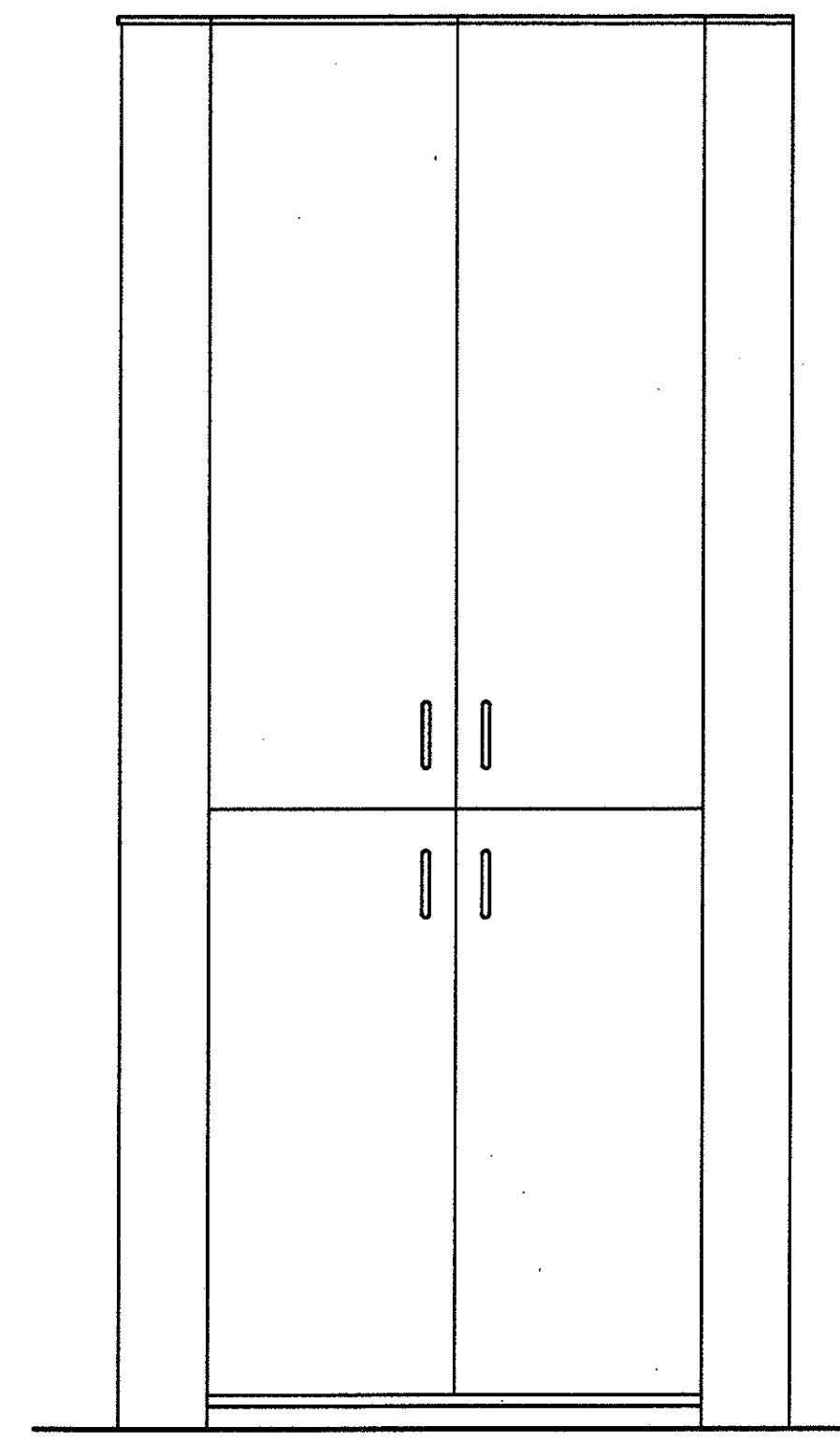
A23

SHEET 24 OF 29

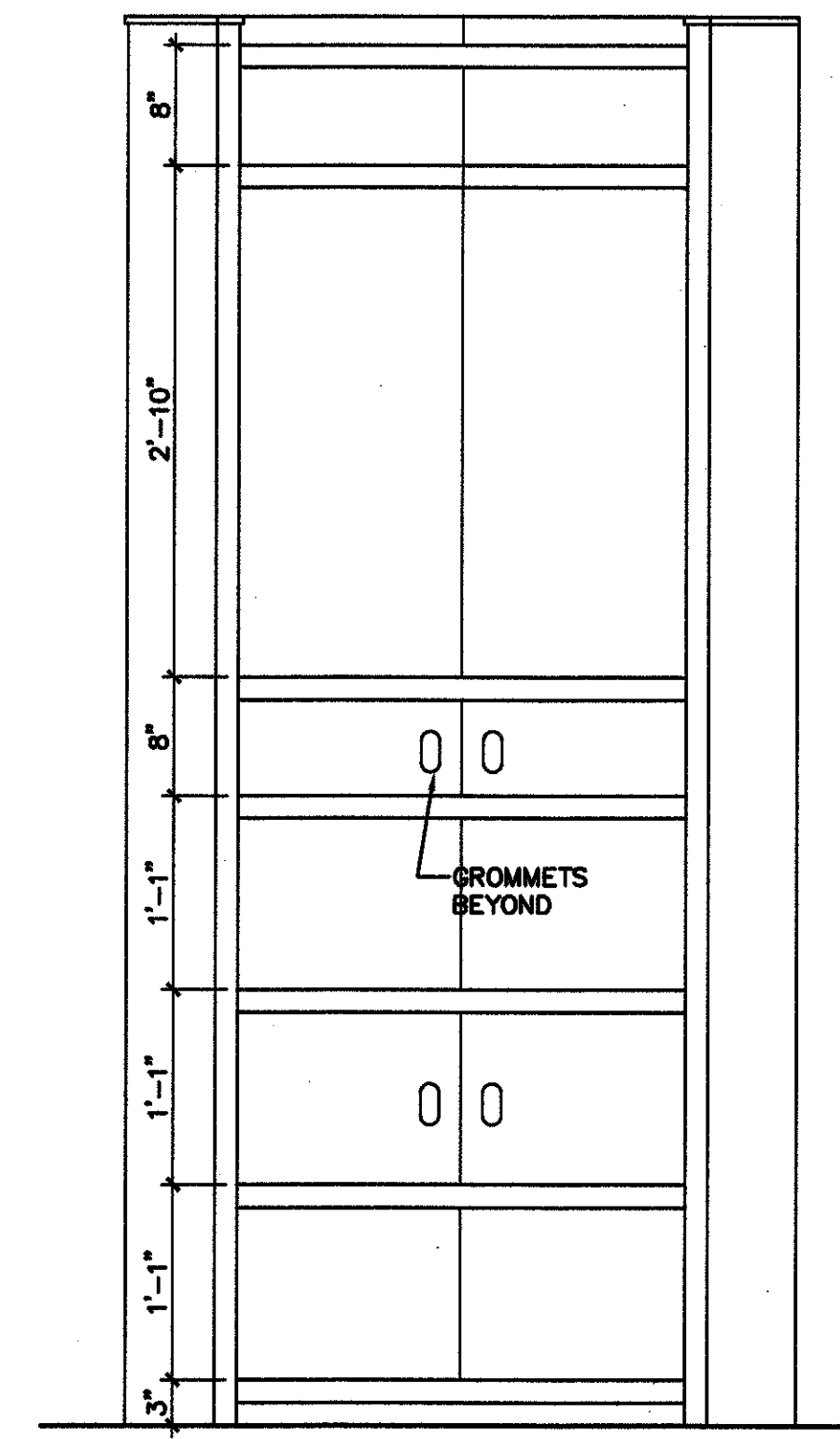
DATE:
 SEPT. 11, 2009
 CD - 1705



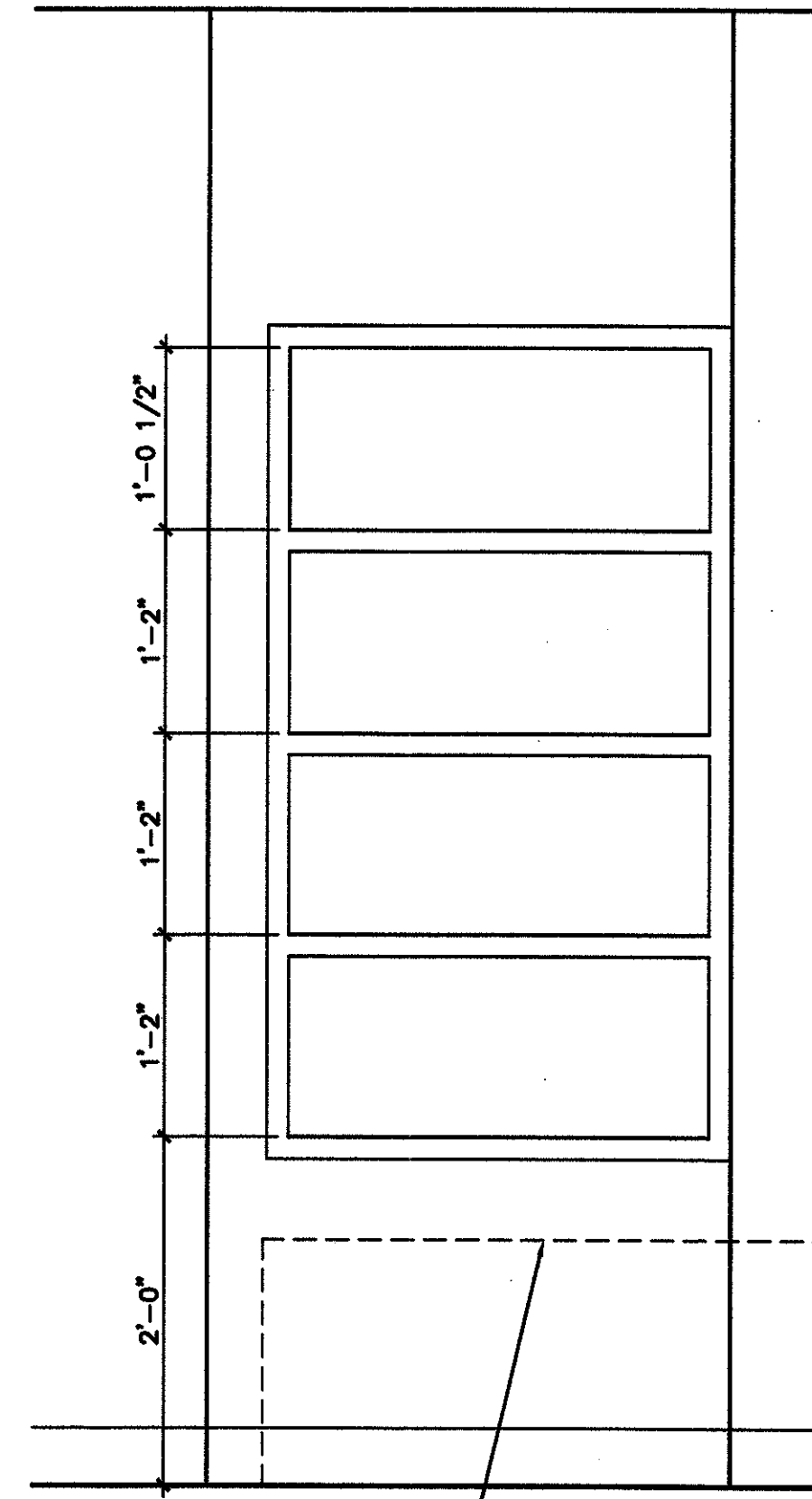
1 TV STAND DETAILS
 A23 1'-1'-0"



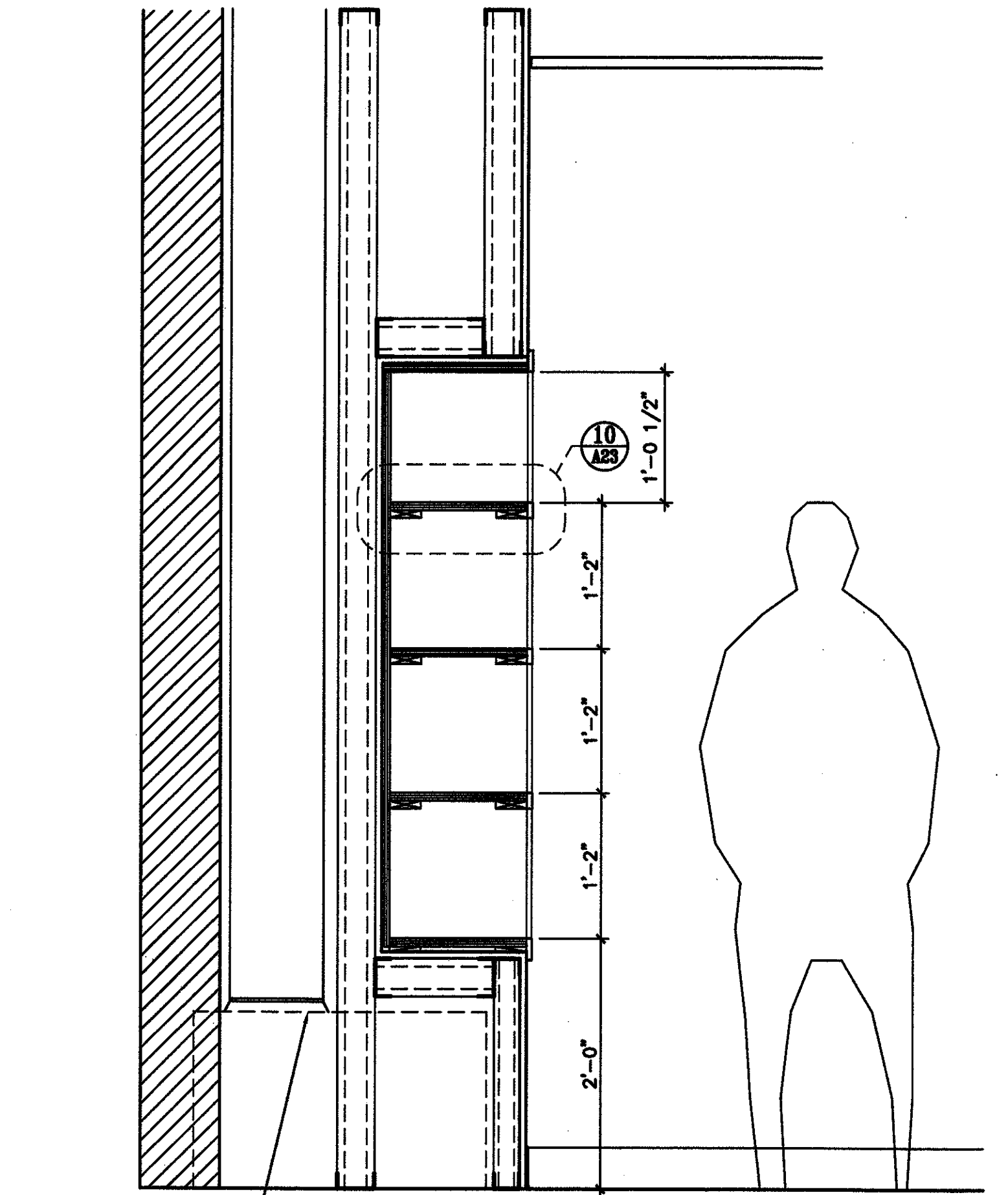
2 TV STAND DETAILS
 A23 1'-1'-0"



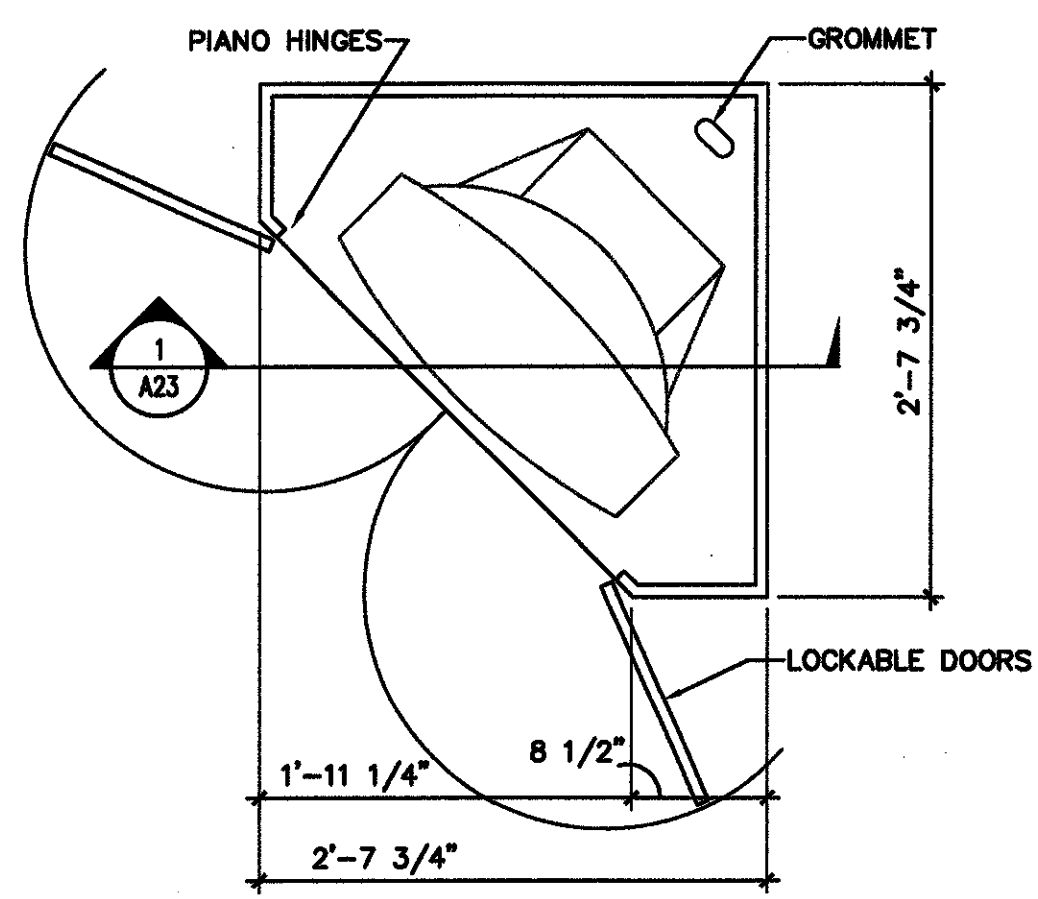
3 TV STAND DETAILS
 A23 1'-1'-0"



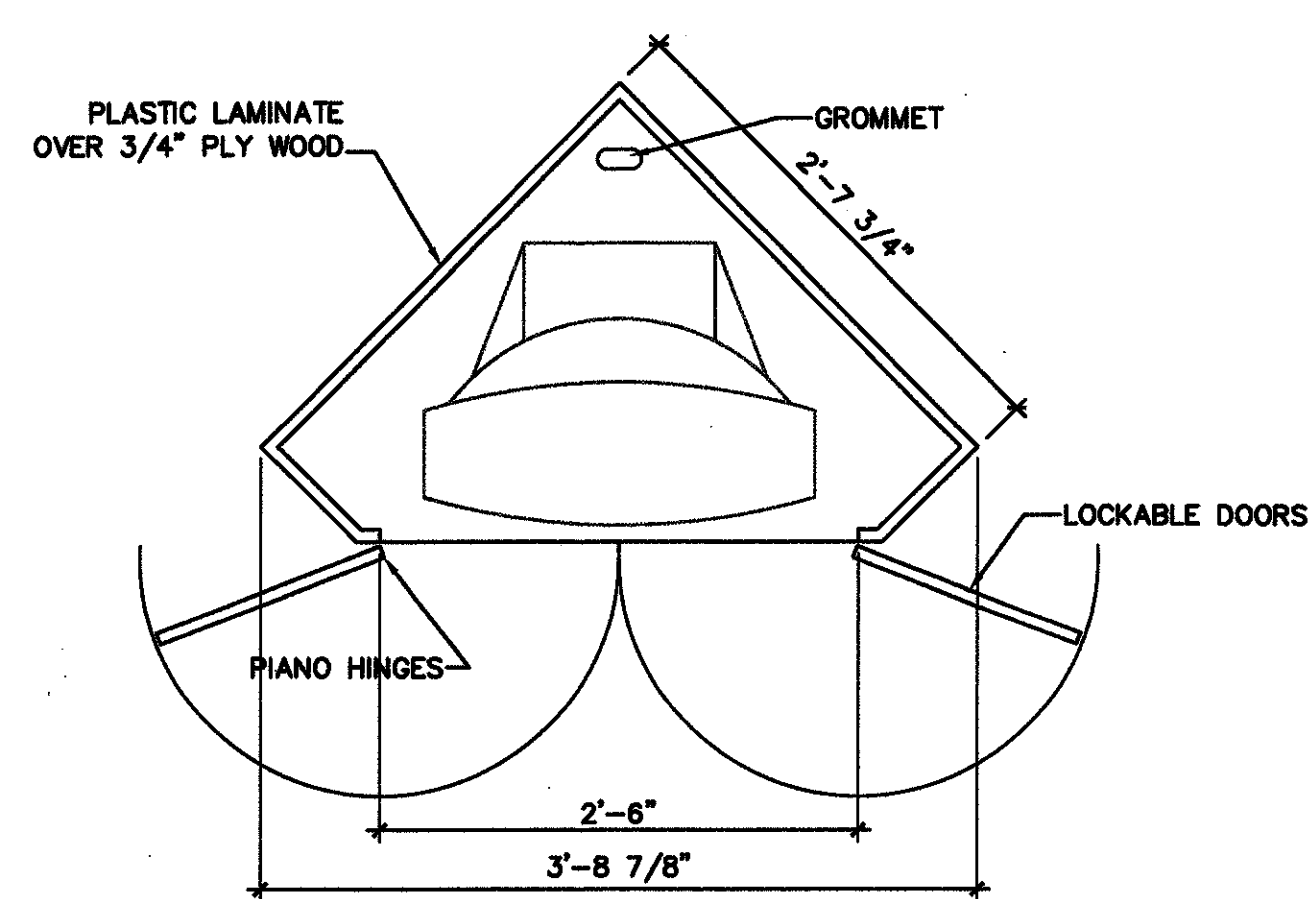
6 BUILT-IN SHELVING
 A23 1'-1'-0" 2 LOCATIONS ONLY



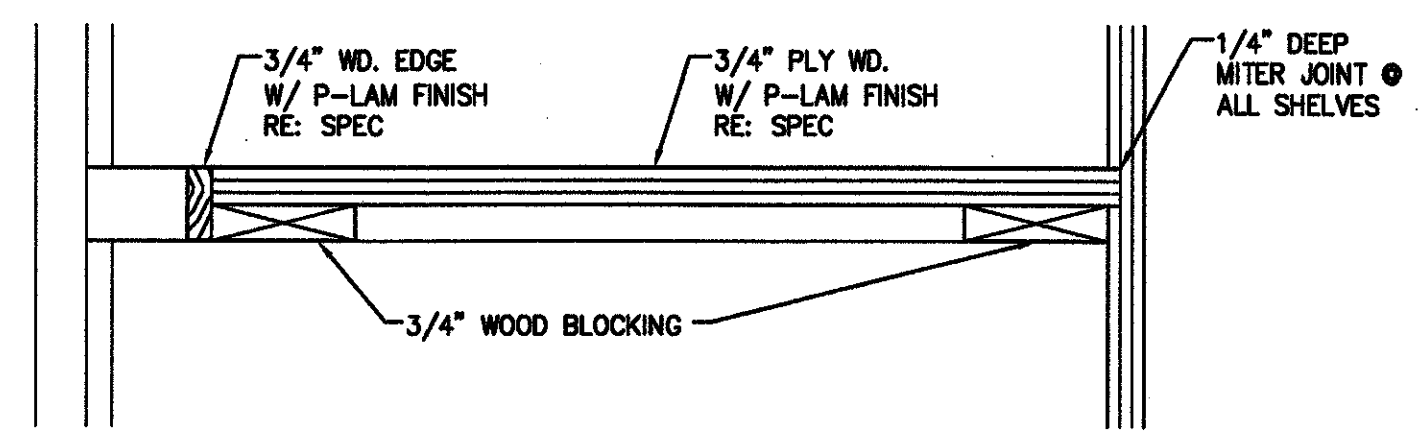
7 BUILT-IN SHELVING
 A23 1'-1'-0" 2 LOCATIONS ONLY



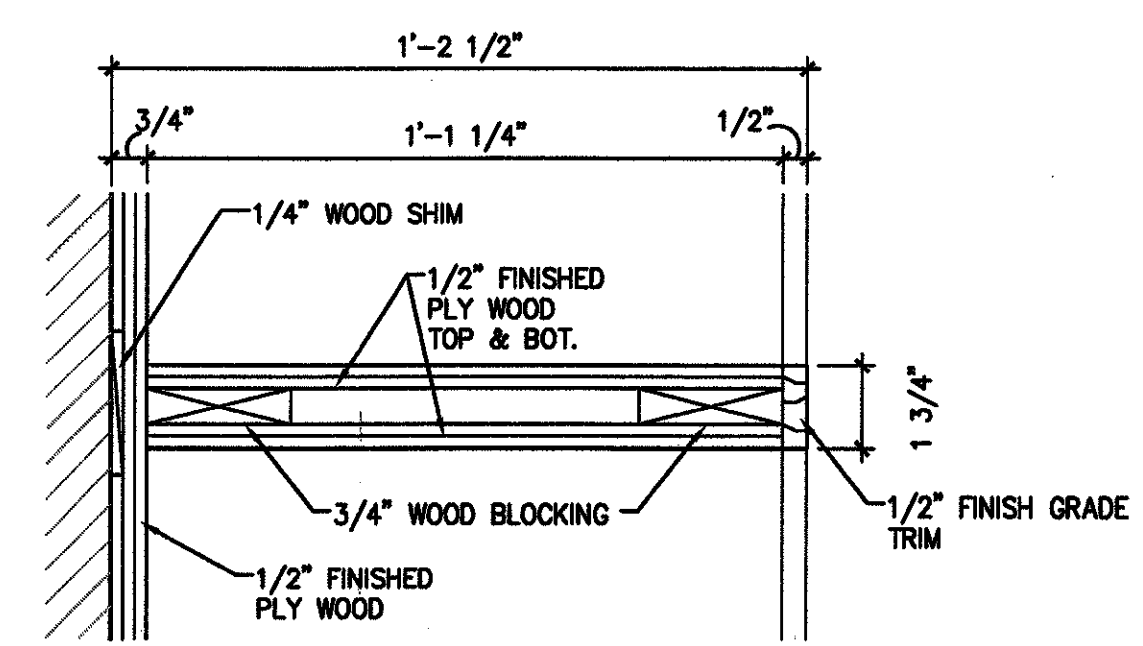
4 TV STAND DETAILS
 A23 1'-1'-0"



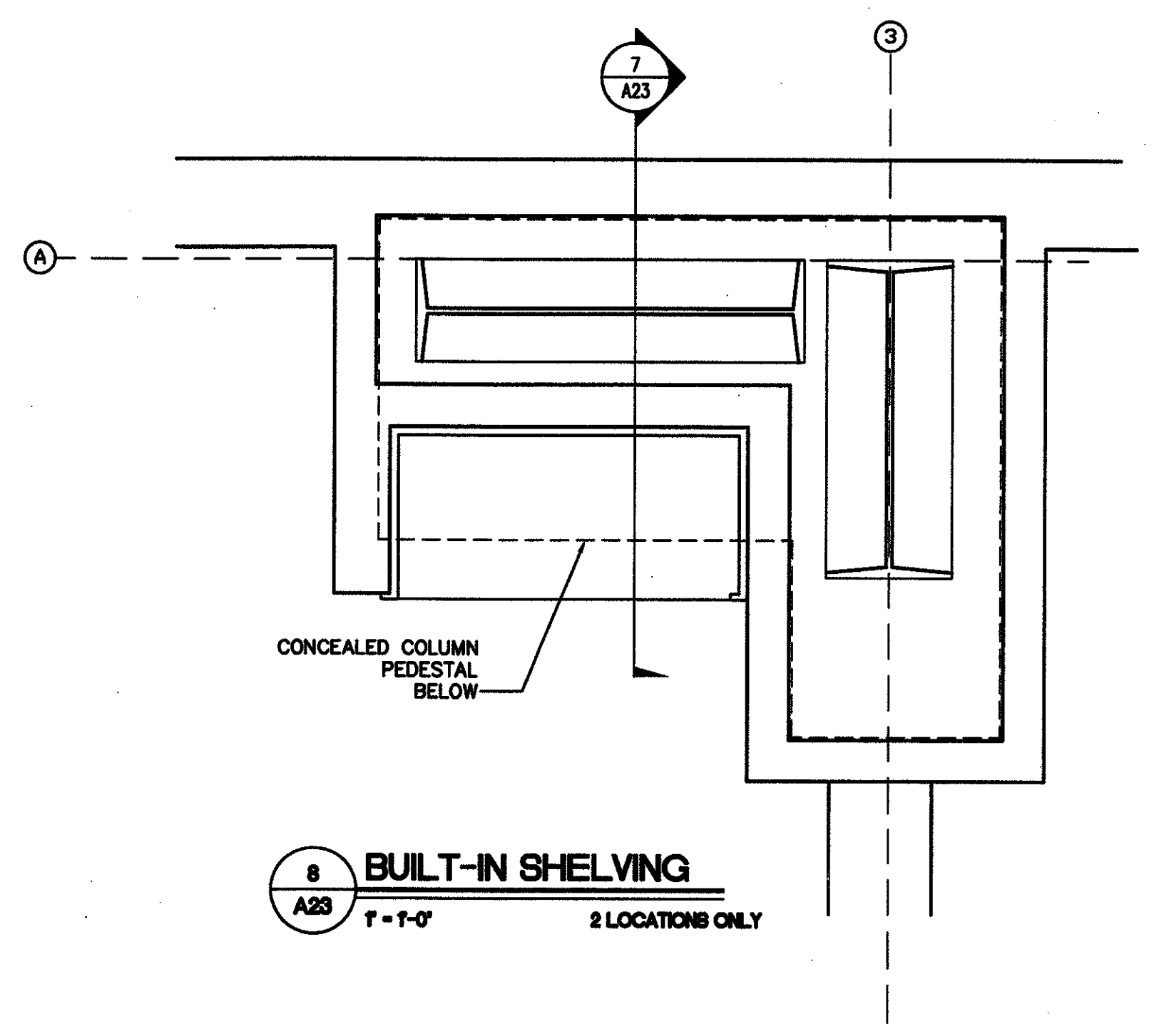
5 TV STAND DETAILS
 A23 1'-1'-0"



9 CASEWORK DETAIL
 A23 8'-1'-0"



10 CASEWORK DETAIL
 A23 8'-1'-0"



8 BUILT-IN SHELVING
 A23 1'-1'-0" 2 LOCATIONS ONLY