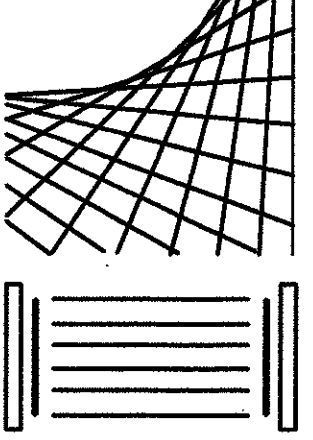


John E. Campo, Architect
105 Ducayet Dr.
Destrehan, LA 70047
(986) 764-8859

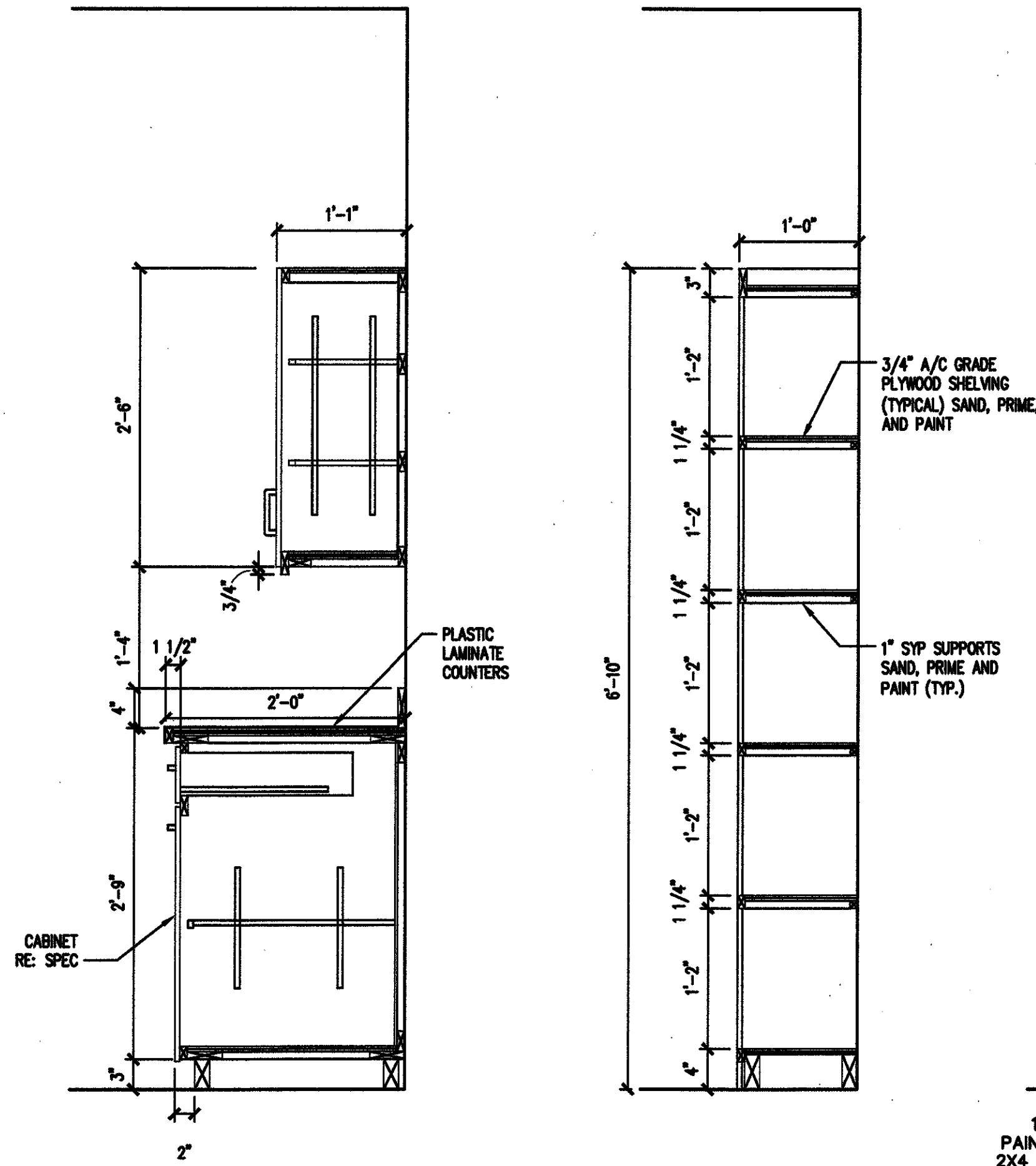
Campo Design
ARCHITECTS



MSGR. JOHN N. PHUC
EDUCATION CENTER - FINAL PHASE
13396 RIVER ROAD, DESTREHAN, LOUISIANA
ST. CHARLES BORROMEEO CATHOLIC CHURCH PARISH

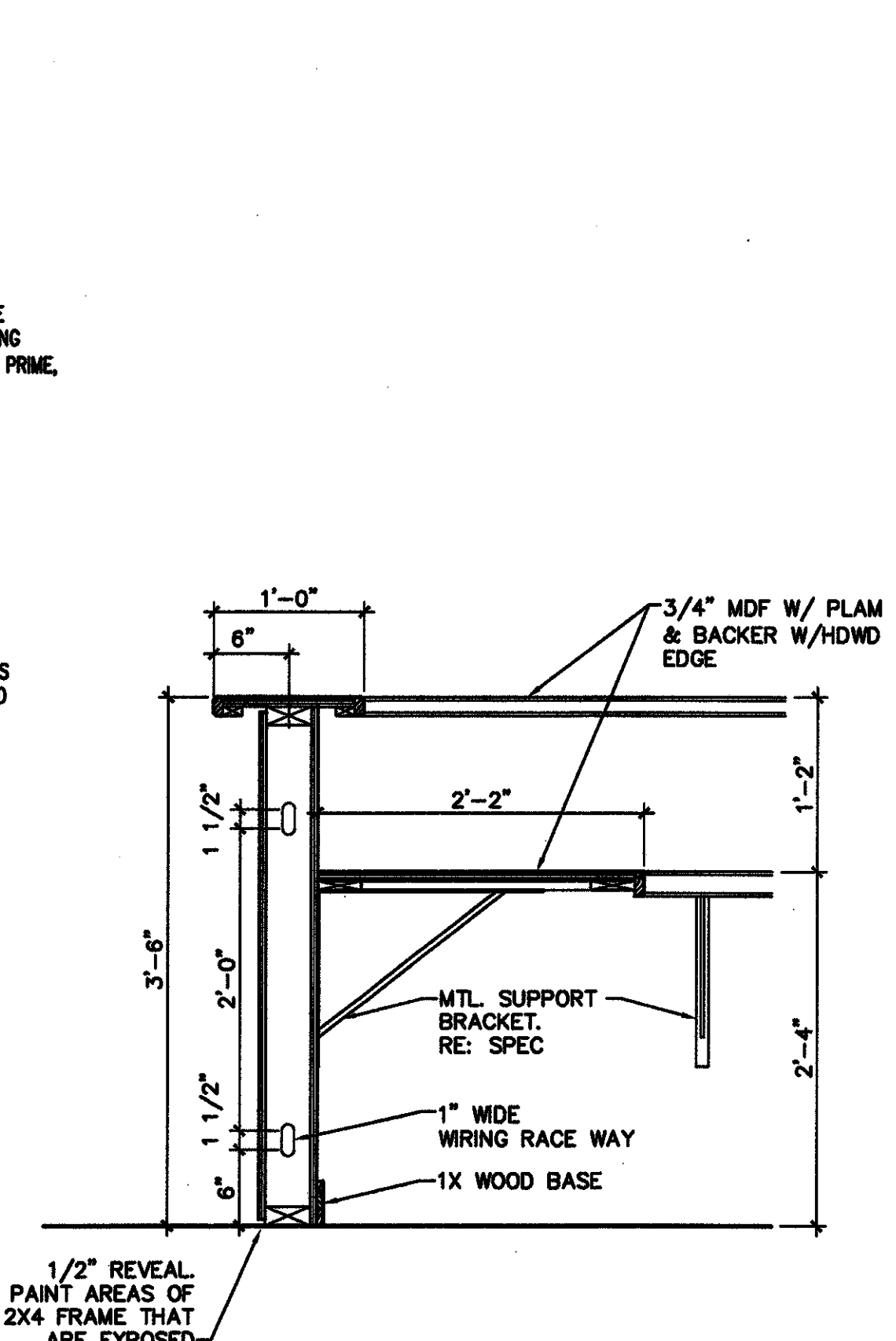
A24

SHEET 25 OF 29
DATE: SEPT. 11, 2009
CD - 1705

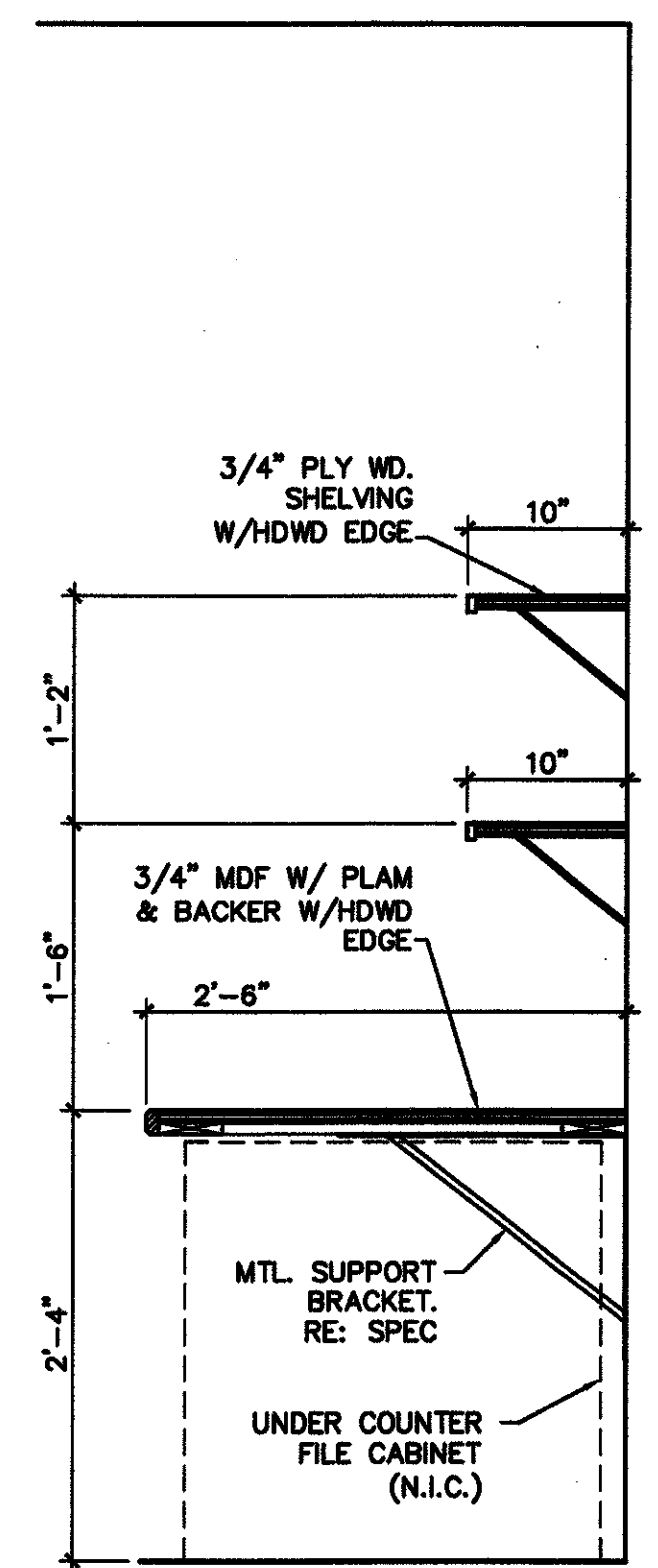


1 CASEWORK DETAIL
A24 T-1-0'

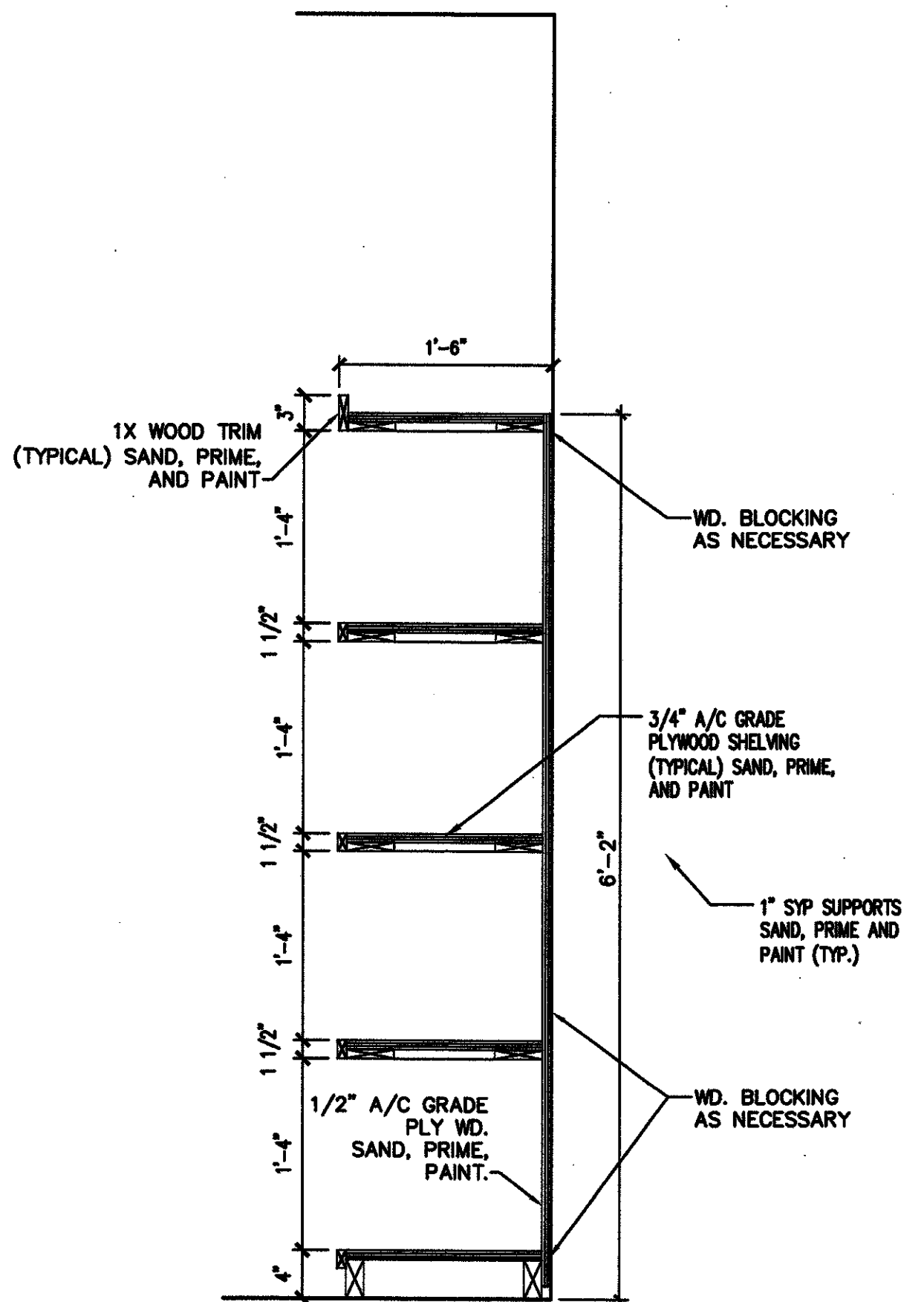
2 CASEWORK DETAIL
A24 T-1-0' BOOK ROOM



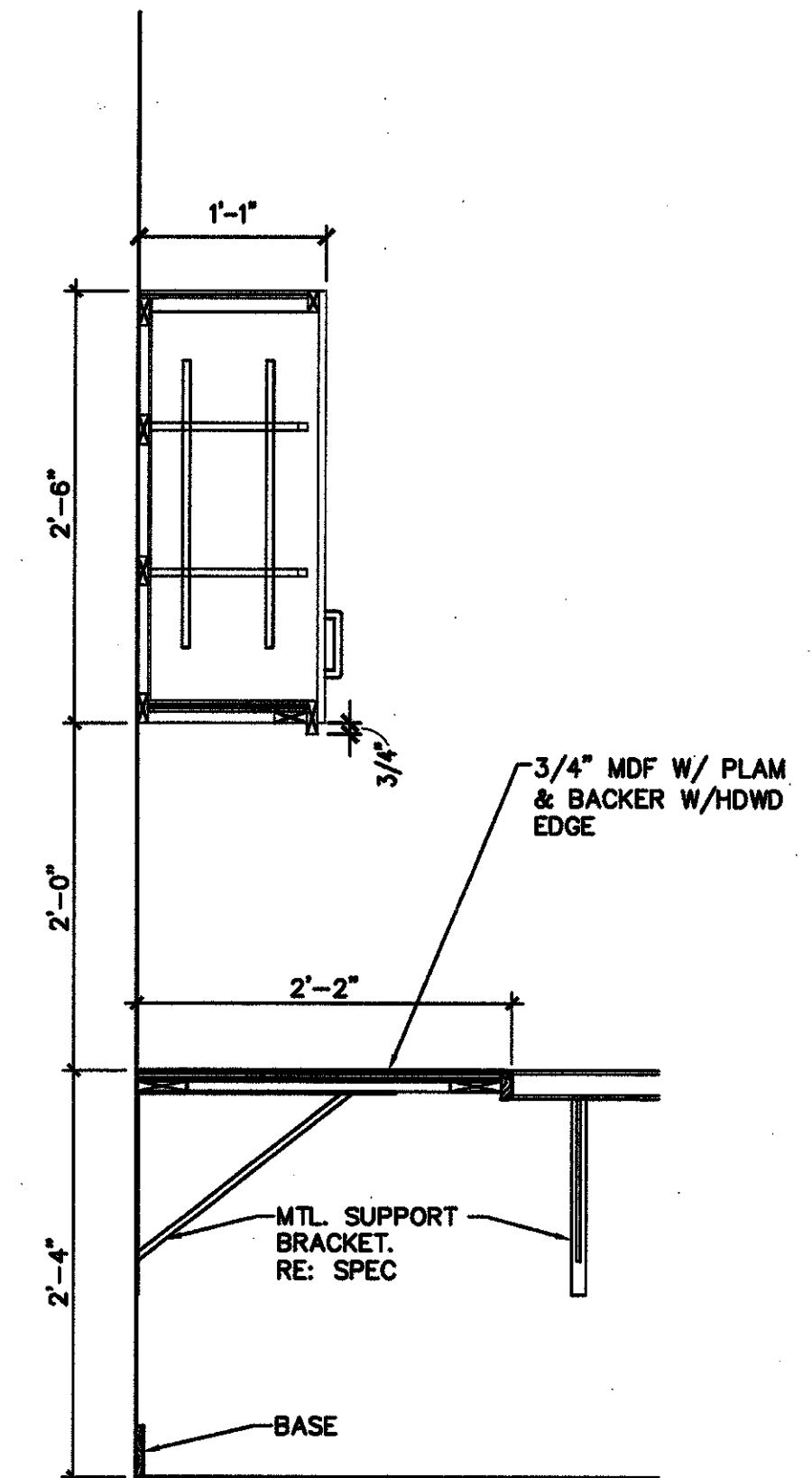
3 CASEWORK DETAIL
A24 T-1-0' RECEPTION DESK



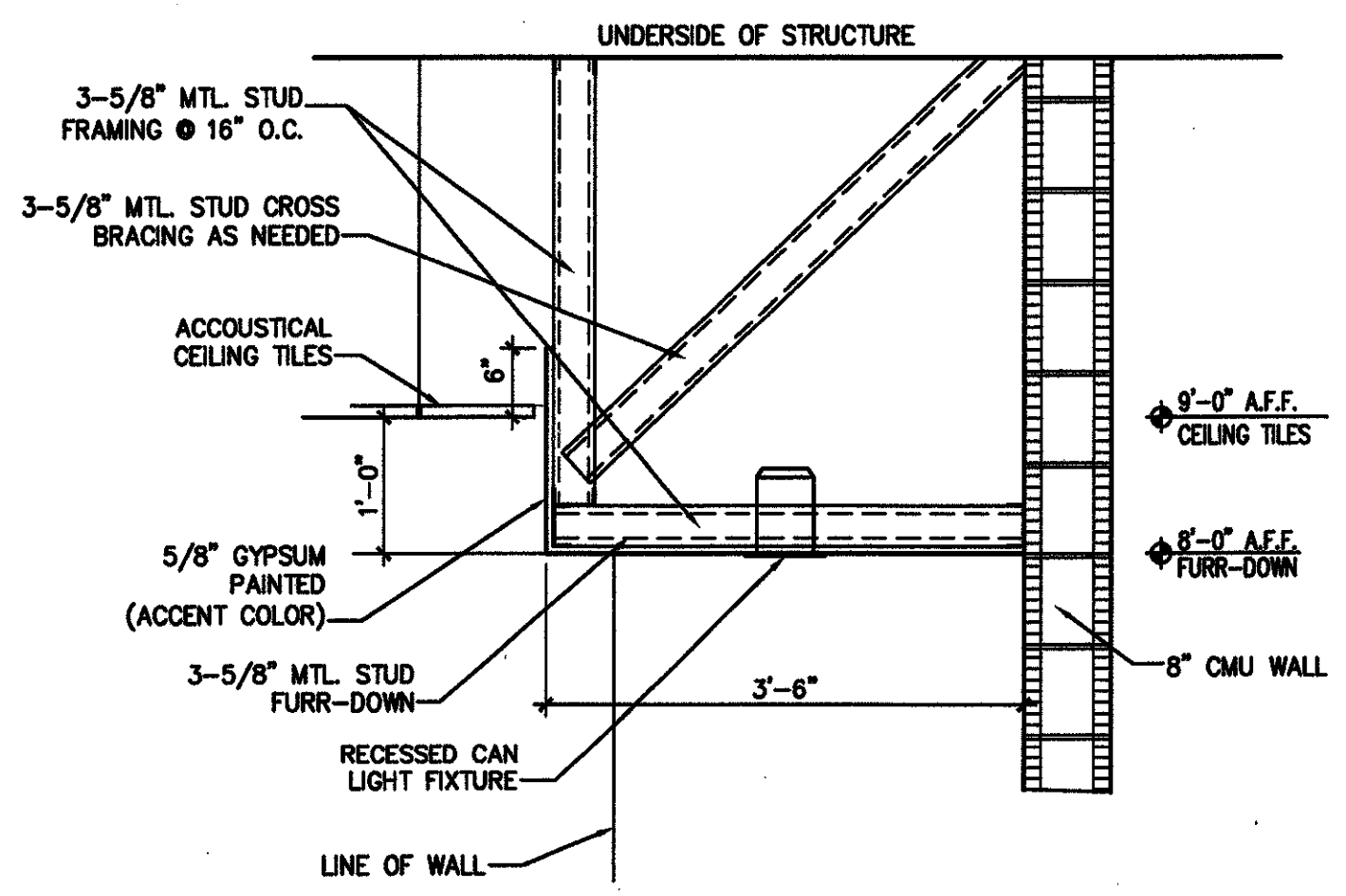
6 CASEWORK DETAIL
A24 T-1-0' COACHES OFFICE



7 CASEWORK DETAIL
A24 T-1-0' COACHES OFFICE



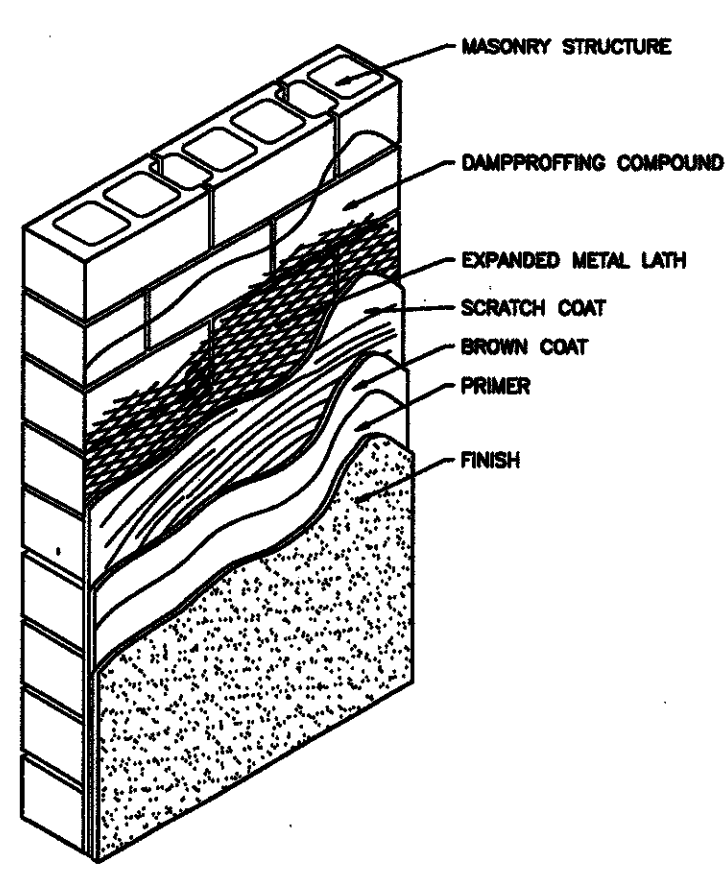
8 CASEWORK DETAIL
A24 T-1-0' RECEPTION DESK



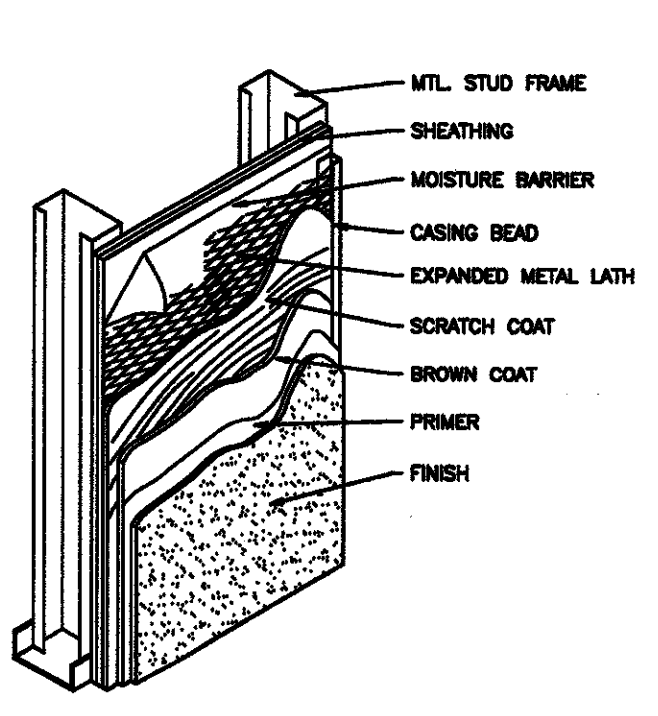
4 CEILING DETAIL
A24 T-1-0' CLASSROOM ENTRY

5 STUCCO SYSTEM DETAILS
A24 N.T.R.

TYPICAL STUCCO SYSTEM COMPONENTS ON MASONRY



SYSTEM COMPONENTS ON METAL STUD FRAME



TERMINATION AT GRADE

