

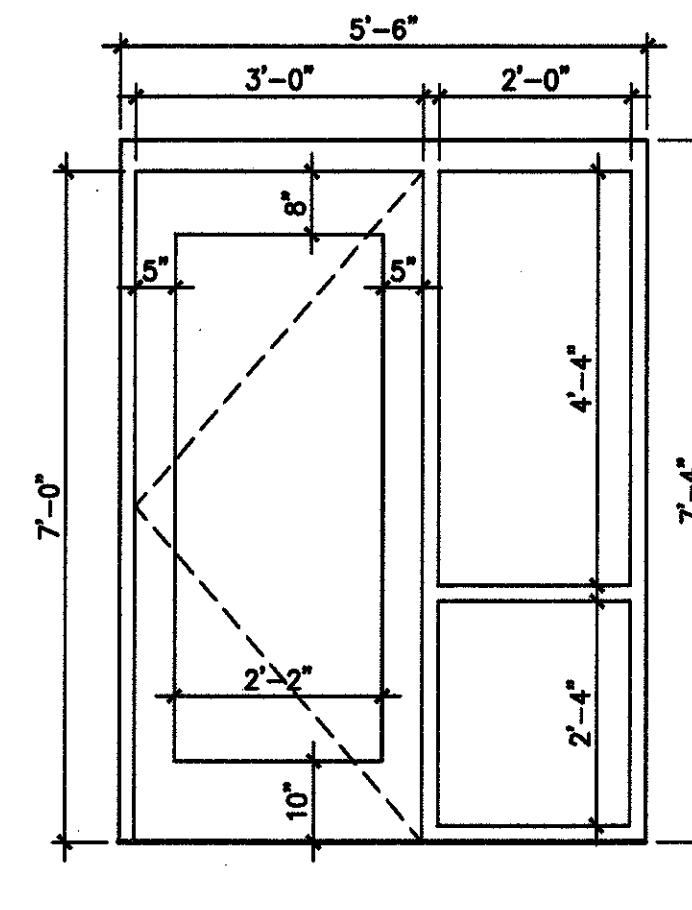
SCHEDULE OF OPENINGS

FINISH SCHEDULE

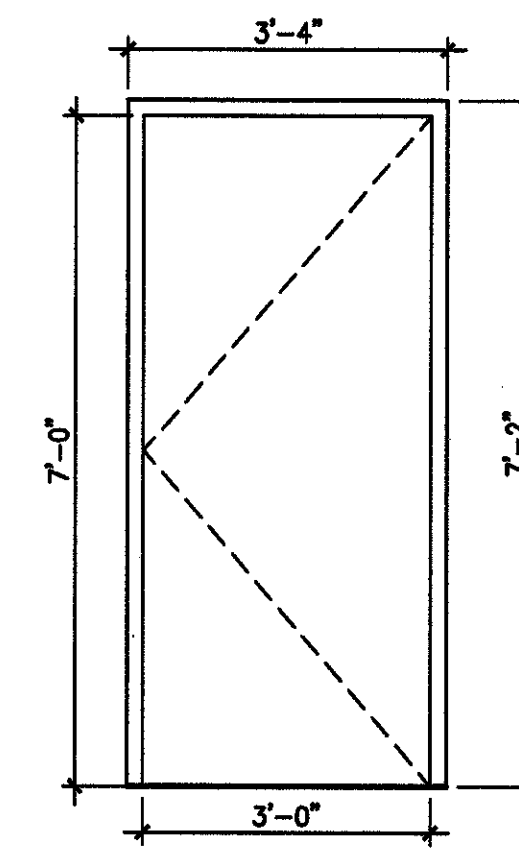
FIRST FLOOR DOORS

FIRST FLOOR

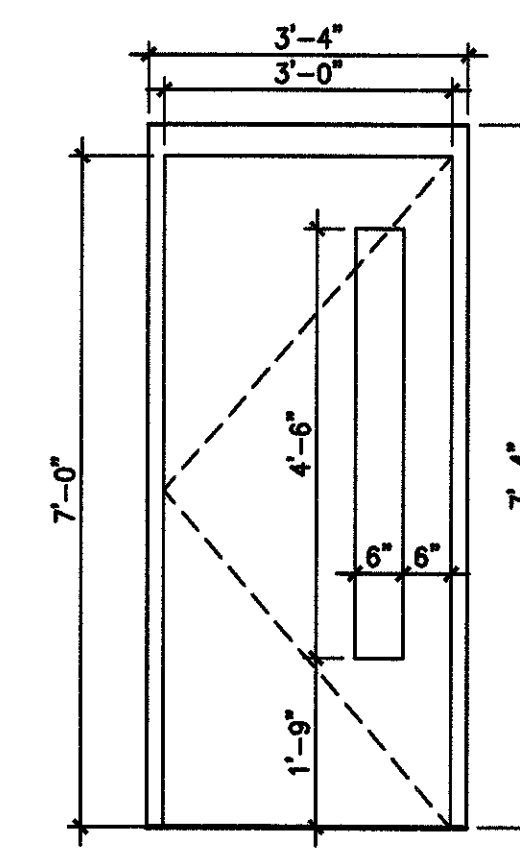
MARK	SIZE	TYPE	MATERIAL	FRAME	DETAILS			FIRE RATING	REMARKS	ROOM NAME	NO.	FLOORING	WALL	BASE	CEILING	CEILING HEIGHT	REMARKS
					HEAD	JAMB	SILL										
102A	3'-0" x 7'-0" x 1 3/4"	D	SOLID CORE WOOD	HOLLOW METAL	4/A26	5/A26	3/A26			CORRIDOR	101	VCT	ENAMEL PAINT	4" COVED RUBBER	ACCOUSTICAL TILE	9'-0"	
103A	3'-0" x 7'-0" x 1 3/4"	E	SOLID CORE WOOD W/GLASS	* FRAME IS EXISTING *						CLST.	102	VCT	ENAMEL PAINT	4" COVED RUBBER	ACCOUSTICAL TILE	8'-0"	
104A	3'-0" x 7'-0" x 1 3/4"	E	SOLID CORE WOOD W/GLASS	* FRAME IS EXISTING *						CLASS ROOM NO.3	103	VCT	ENAMEL PAINT	4" COVED RUBBER	ACCOUSTICAL TILE	9'-0"	
105A	3'-0" x 7'-0" x 1 3/4"	D	SOLID CORE WOOD	HOLLOW METAL	4/A26	5/A26	3/A26			CLASS ROOM NO.4	104	VCT	ENAMEL PAINT	4" COVED RUBBER	ACCOUSTICAL TILE	9'-0"	
106A	3'-0" x 7'-0" x 1 3/4"	D	SOLID CORE WOOD	HOLLOW METAL	4/A26	5/A26	3/A26			CLST.	105	VCT	ENAMEL PAINT	4" COVED RUBBER	ACCOUSTICAL TILE	8'-0"	
107A	3'-0" x 7'-0" x 1 3/4"	E	SOLID CORE WOOD W/GLASS	* FRAME IS EXISTING *						CLST.	106	VCT	ENAMEL PAINT	4" COVED RUBBER	ACCOUSTICAL TILE	8'-0"	
108A	3'-0" x 7'-0" x 1 3/4"	E	SOLID CORE WOOD W/GLASS	* FRAME IS EXISTING *						CLASS ROOM NO.5	107	VCT	ENAMEL PAINT	4" COVED RUBBER	ACCOUSTICAL TILE	9'-0"	
109A	3'-0" x 7'-0" x 1 3/4"	D	SOLID CORE WOOD	HOLLOW METAL	4/A26	5/A26	3/A26			CLASS ROOM NO.6	108	VCT	ENAMEL PAINT	4" COVED RUBBER	ACCOUSTICAL TILE	9'-0"	
110A	3'-0" x 7'-0" x 1 3/4"	E	SOLID CORE WOOD W/GLASS	* FRAME IS EXISTING *						CLST.	109	VCT	ENAMEL PAINT	4" COVED RUBBER	ACCOUSTICAL TILE	8'-0"	
110B	4'-0" x 7'-0" x 1 3/4"	F	SOLID CORE WOOD W/GLASS	HOLLOW METAL	4/A26	5/A26	3/A26			CLASS ROOM NO.7	110	VCT	ENAMEL PAINT	4" COVED RUBBER	ACCOUSTICAL TILE	9'-0"	
111A	3'-0" x 7'-0" x 1 3/4"	D	SOLID CORE WOOD	HOLLOW METAL	4/A26	5/A26	3/A26			CLST.	111	VCT	ENAMEL PAINT	4" COVED RUBBER	ACCOUSTICAL TILE	8'-0"	
112A	3'-0" x 7'-0" x 1 3/4"	C	SOLID CORE WOOD W/GLASS	* FRAME IS EXISTING *				SEE JAMB 8/A26		RECEPTION	112	VCT	ENAMEL PAINT	4" COVED RUBBER	ACCOUSTICAL TILE	9'-0"	
113A	3'-0" x 7'-0" x 1 3/4"	E	SOLID CORE WOOD	HOLLOW METAL	10/A26	11/A26	3/A26			FINANCE	113	VCT	ENAMEL PAINT	4" COVED RUBBER	ACCOUSTICAL TILE	9'-0"	
114A	3'-0" x 7'-0" x 1 3/4"	E	SOLID CORE WOOD	HOLLOW METAL	10/A26	11/A26	3/A26			DEVELOPMENT	114	VCT	ENAMEL PAINT	4" COVED RUBBER	ACCOUSTICAL TILE	9'-0"	
115A	3'-0" x 7'-0" x 1 3/4"	E	SOLID CORE WOOD	HOLLOW METAL	10/A26	11/A26	3/A26			COUNSELOR	115	VCT	ENAMEL PAINT	4" COVED RUBBER	ACCOUSTICAL TILE	9'-0"	
116A	3'-0" x 7'-0" x 1 3/4"	E	SOLID CORE WOOD	HOLLOW METAL	10/A26	11/A26	3/A26			PRINCIPAL	116	VCT	ENAMEL PAINT	4" COVED RUBBER	ACCOUSTICAL TILE	9'-0"	
117A	3'-0" x 7'-0" x 1 3/4"	E	SOLID CORE WOOD	HOLLOW METAL	10/A26	11/A26	3/A26			MEETING	117	VCT	ENAMEL PAINT	4" COVED RUBBER	ACCOUSTICAL TILE	9'-0"	
118A	3'-0" x 7'-0" x 1 3/4"	D	SOLID CORE WOOD	HOLLOW METAL	10/A26	11/A26	3/A26			BOOK ROOM	118	VCT	ENAMEL PAINT	4" COVED RUBBER	ACCOUSTICAL TILE	9'-0"	
119A	3'-0" x 7'-0" x 1 3/4"	D	SOLID CORE WOOD	HOLLOW METAL	10/A26	11/A26	3/A26			TLT.	119	CERAMIC TILE	ENAMEL PAINT	4" COVED RUBBER	ACCOUSTICAL TILE	9'-0"	
120A	3'-0" x 7'-0" x 1 3/4"	D	SOLID CORE WOOD	HOLLOW METAL	10/A26	11/A26	3/A26			HALL	120	VCT	ENAMEL PAINT	4" COVED RUBBER	ACCOUSTICAL TILE	9'-0"	
121A	3'-0" x 7'-0" x 1 3/4"	D	SOLID CORE WOOD	HOLLOW METAL	4/A26	5/A26	3/A26			CLST.	121	VCT	ENAMEL PAINT	4" COVED RUBBER	ACCOUSTICAL TILE	8'-0"	
122A	3'-0" x 7'-0" x 1 3/4"	E	SOLID CORE WOOD W/GLASS	* FRAME IS EXISTING *						CLASS ROOM NO.1	122	VCT	ENAMEL PAINT	4" COVED RUBBER	ACCOUSTICAL TILE	9'-0"	
123A	3'-0" x 7'-0" x 1 3/4"	E	SOLID CORE WOOD W/GLASS	* FRAME IS EXISTING *						CLASS ROOM NO.2	123	VCT	ENAMEL PAINT	4" COVED RUBBER	ACCOUSTICAL TILE	9'-0"	
124A	3'-0" x 7'-0" x 1 3/4"	D	SOLID CORE WOOD	HOLLOW METAL	4/A26	5/A26	3/A26			CLST.	124	VCT	ENAMEL PAINT	4" COVED RUBBER	ACCOUSTICAL TILE	8'-0"	
125A	3'-0" x 7'-0" x 1 3/4"	E	SOLID CORE WOOD W/GLASS	* FRAME IS EXISTING *						TEACHERS LOUNGE	125	VCT	ENAMEL PAINT	4" COVED RUBBER	ACCOUSTICAL TILE	9'-0"	
										COACHES OFFICE	126	VCT	ENAMEL PAINT	4" COVED RUBBER	ACCOUSTICAL TILE	9'-0"	
201A	2'-0" x 7'-0" x 1 3/4"	E	SOLID CORE WOOD	HOLLOW METAL	10/A26	11/A26	3/A26			CLST.	127	VCT	ENAMEL PAINT	4" COVED RUBBER	ACCOUSTICAL TILE	8'-0"	



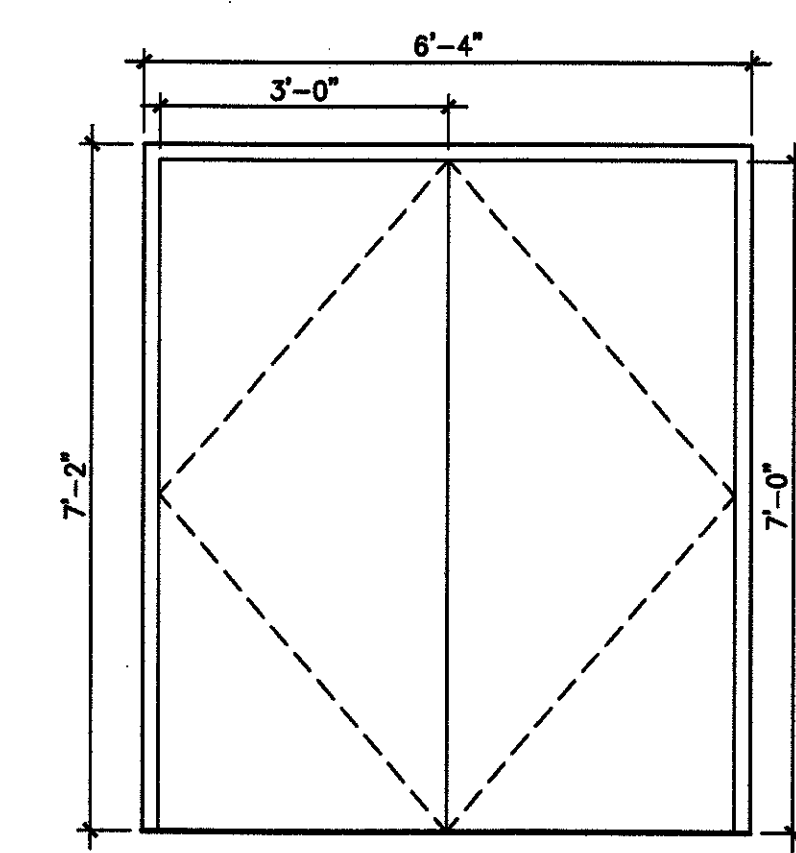
TYPE: C



TYPE: D

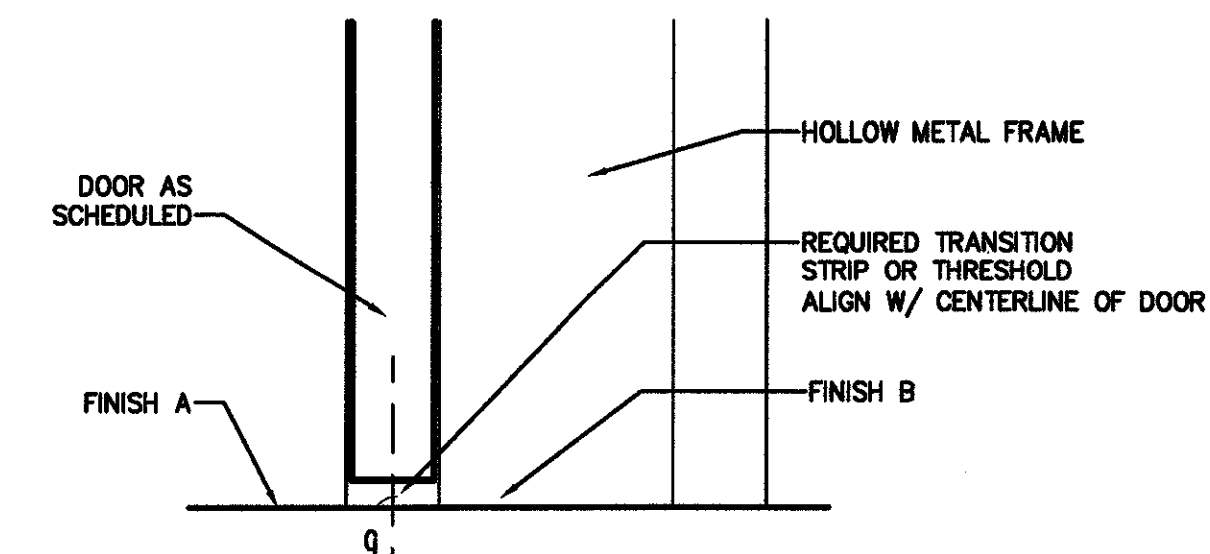


TYPE: E

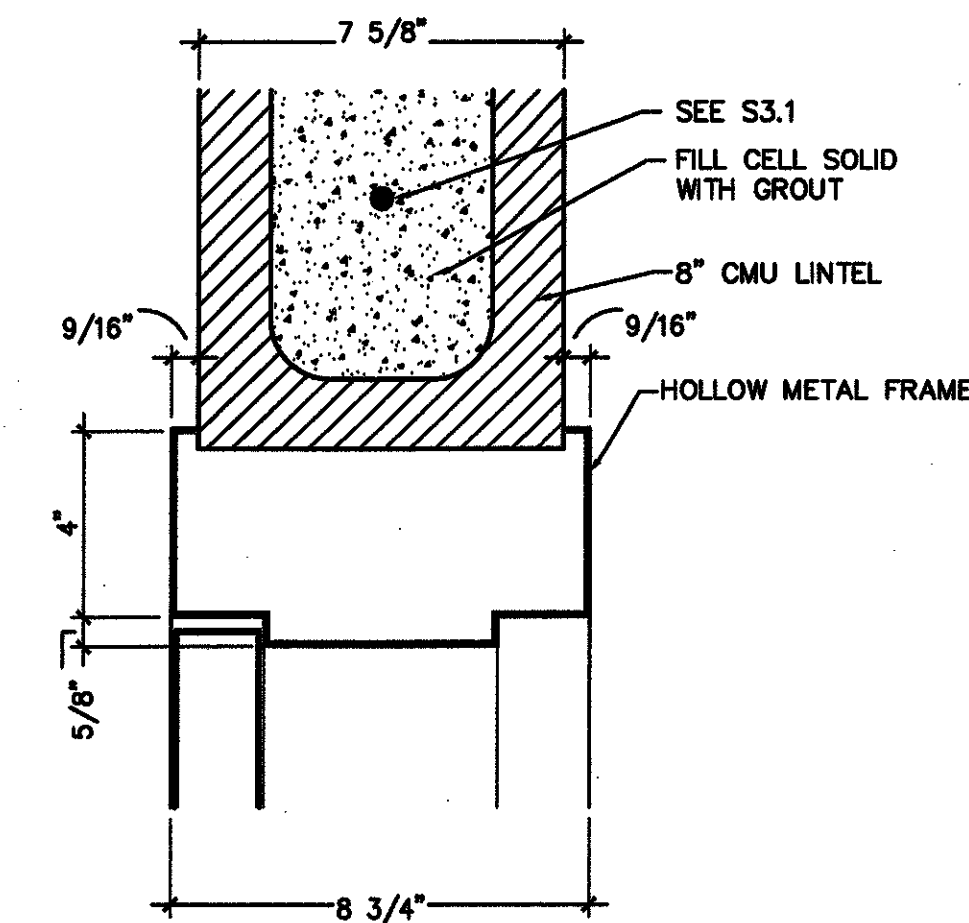


TYPE: F

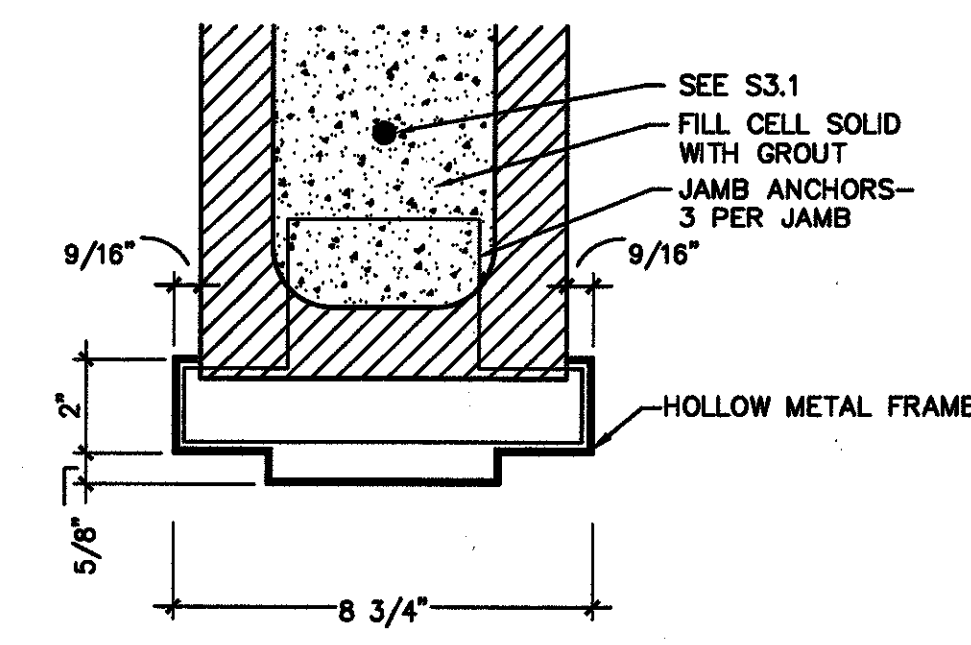
NOTE:
MAIN CORRIDOR WALLS CONTAIN
EXISTING HOLLOW METAL DOOR
FRAMES TO BE USED. VERIFY NUMBER
AND CONDITION.



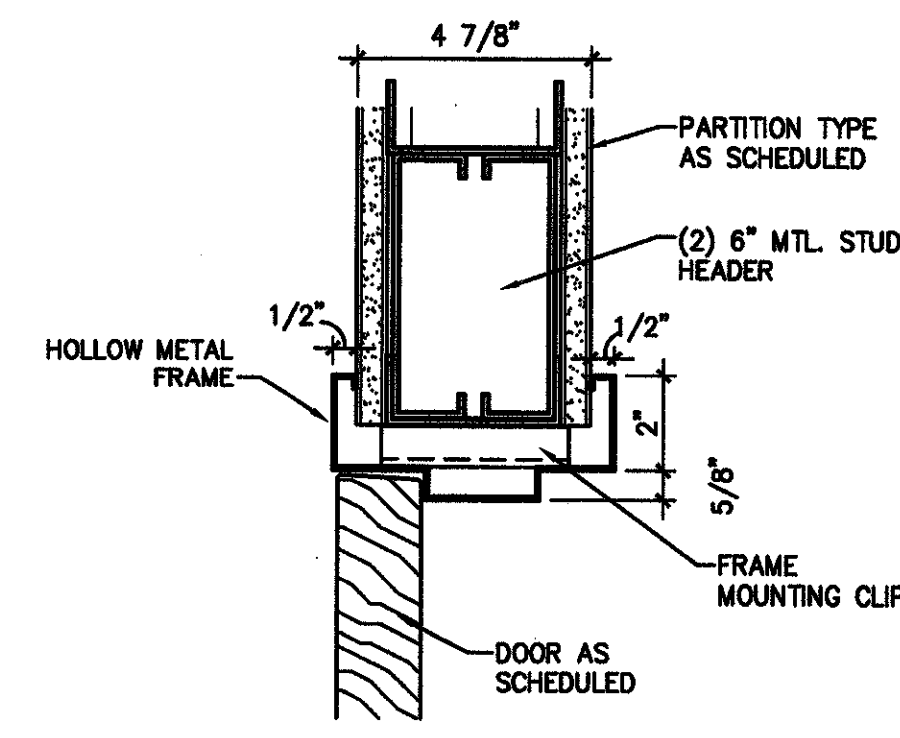
3 SILL DETAIL
A26 8'-1'-0"



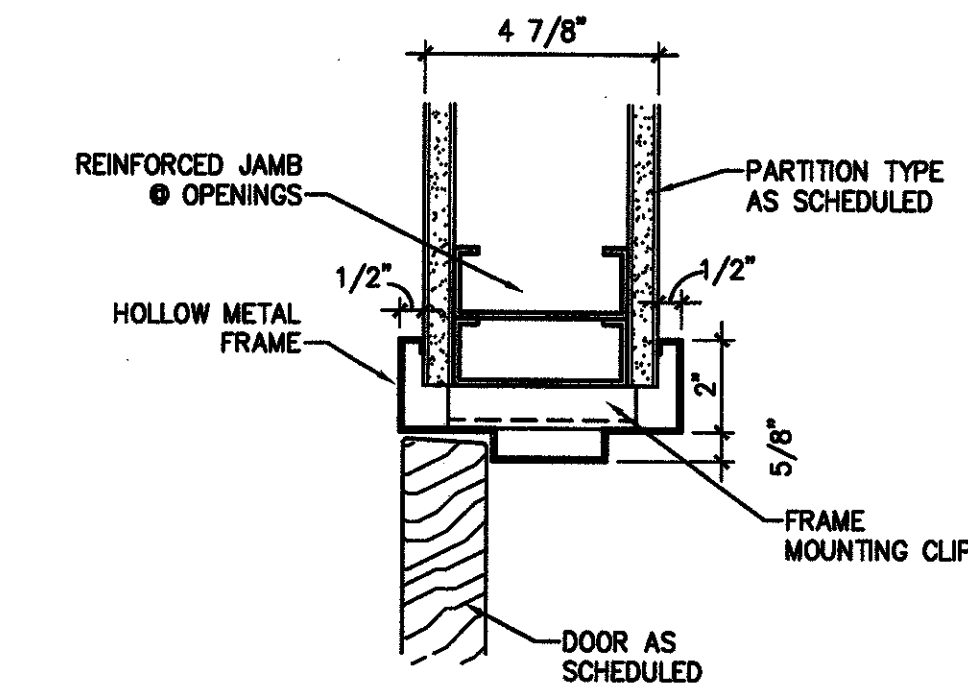
4 HEAD DETAIL
A26 8'-1'-0"



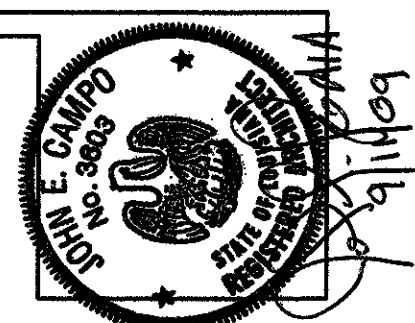
5 JAMB DETAIL
A26 8'-1'-0"



10 HEAD DETAIL
A26 8'-1'-0"

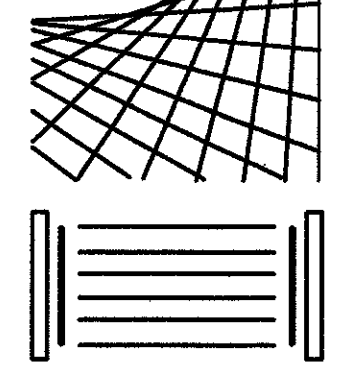


11 JAMB DETAIL
A26 8'-1'-0" STRIKE



John E. Campo, Architect
105 Ducayet Dr.
Destrehan, LA 70047
(985) 764-8869

Campo Designs
ARCHITECTS



MSGR. JOHN N. PHUC
EDUCATION CENTER - FINAL PHASE
13396 RIVER ROAD, DESTREHAN, LOUISIANA
ST. CHARLES BORROMEO CATHOLIC CHURCH PARISH

A26

SHEET 27 OF 29
DATE:
SEPT. 11, 2009
CD - 1705