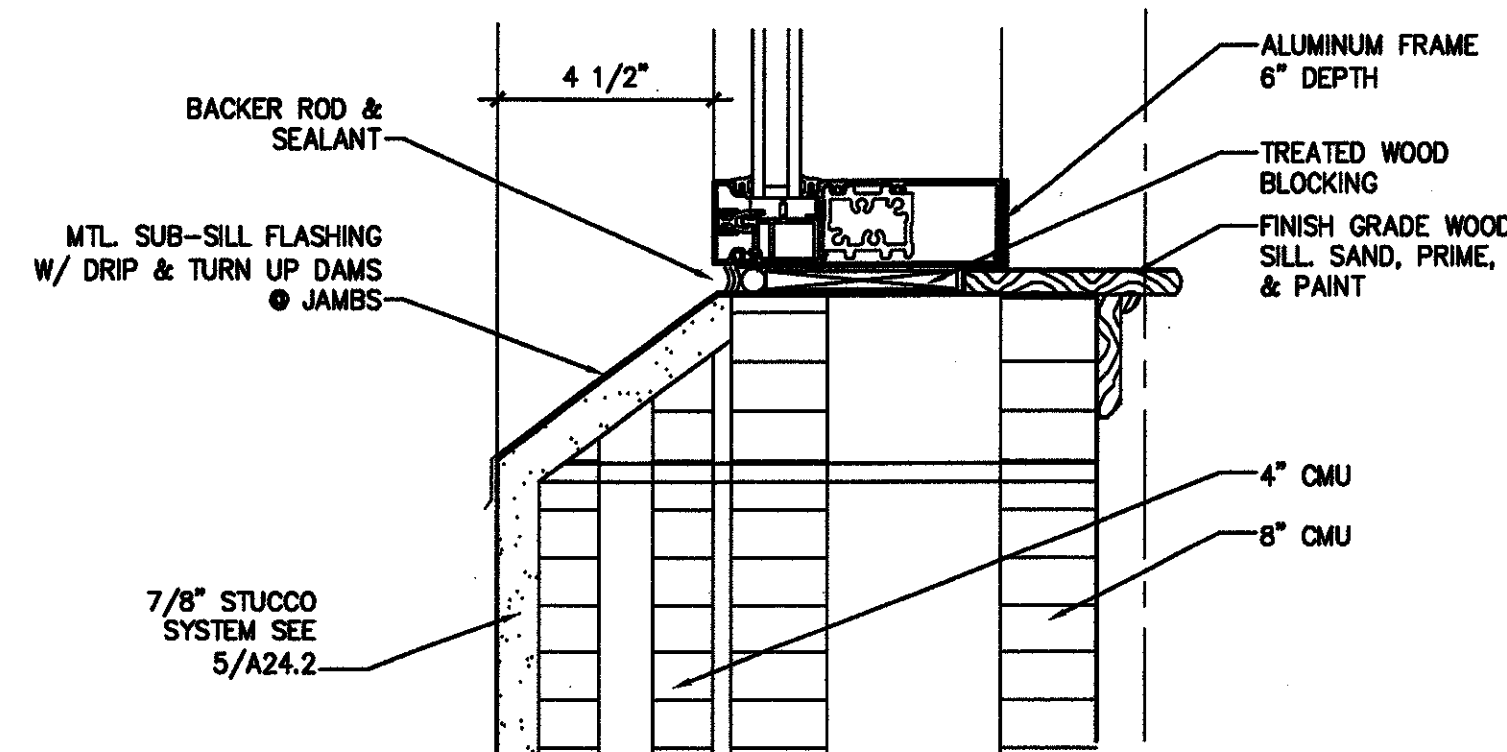
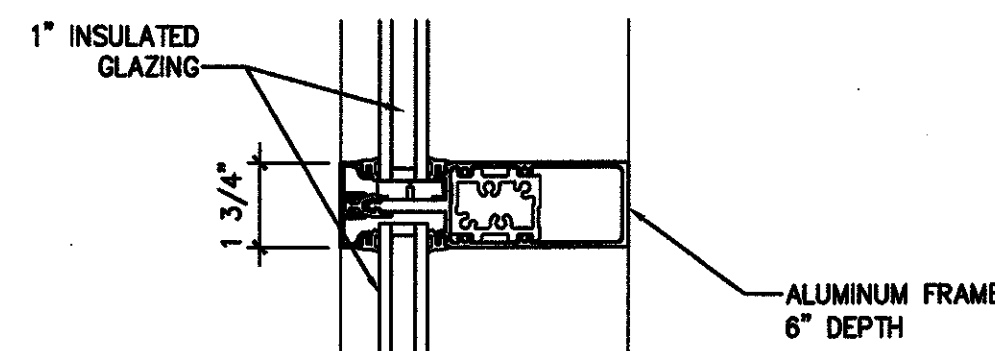
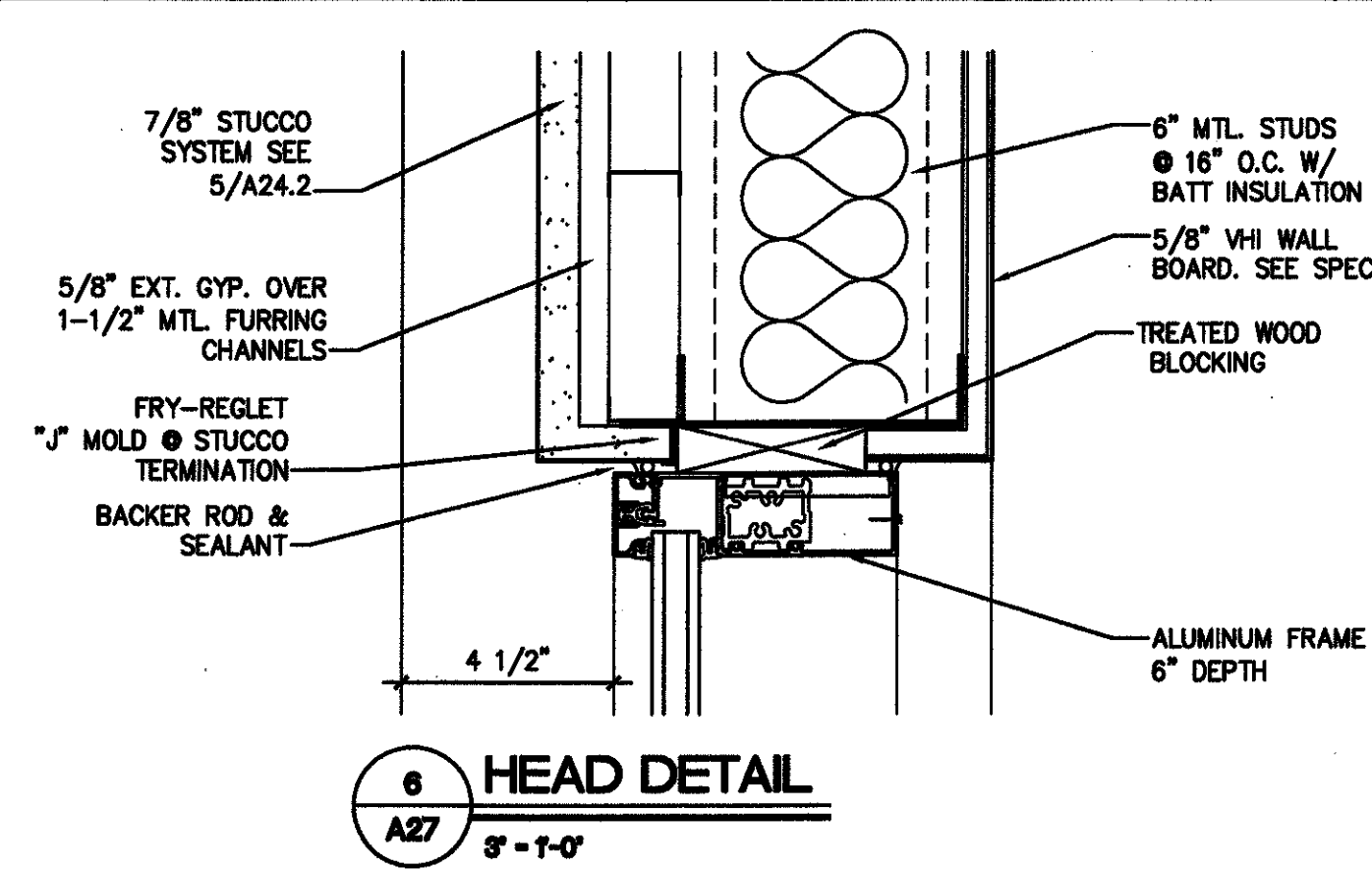
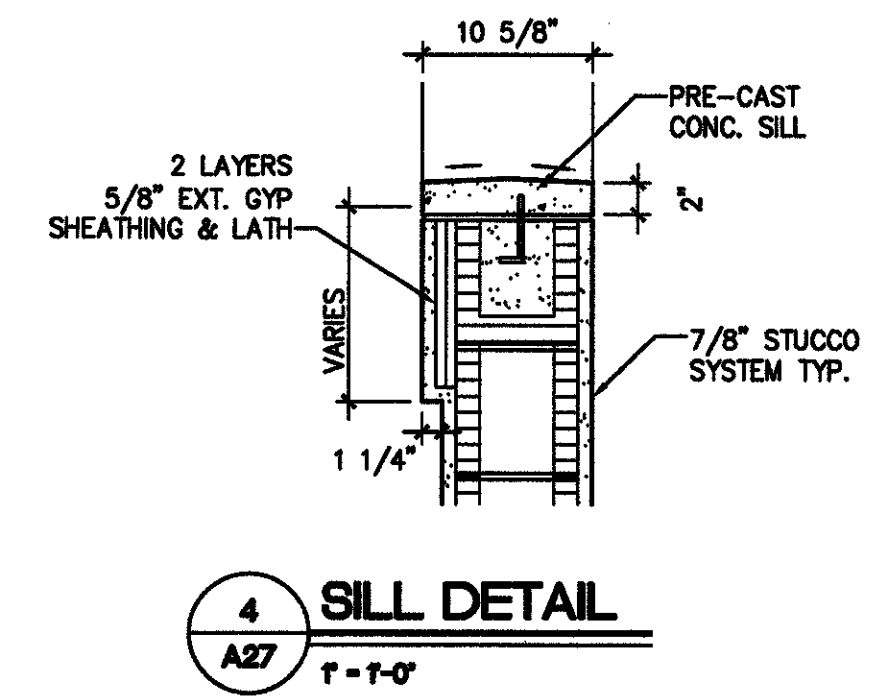
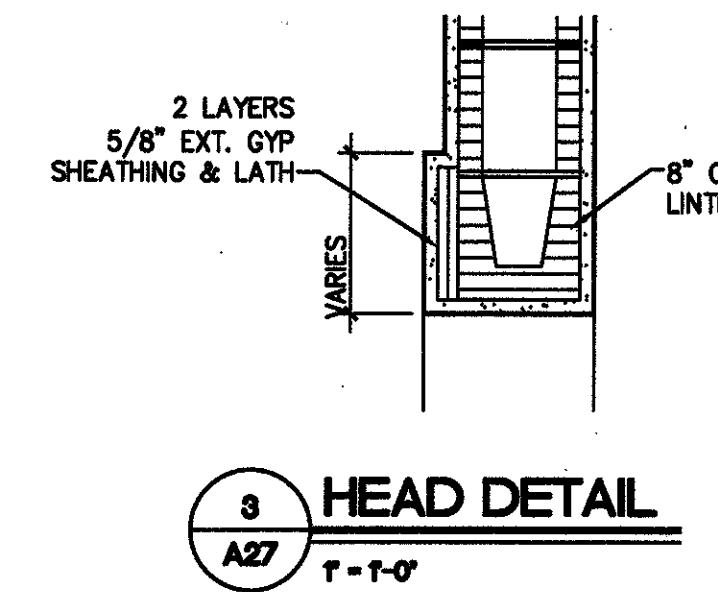
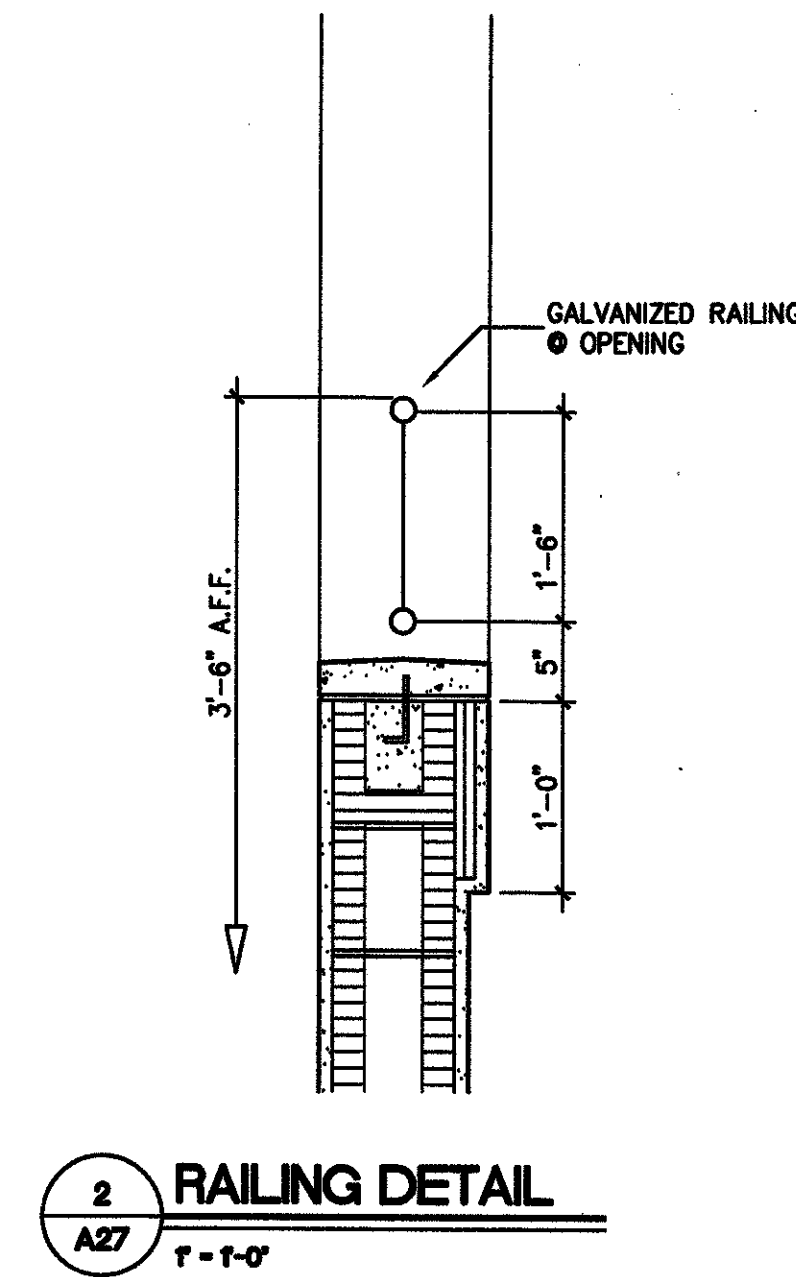
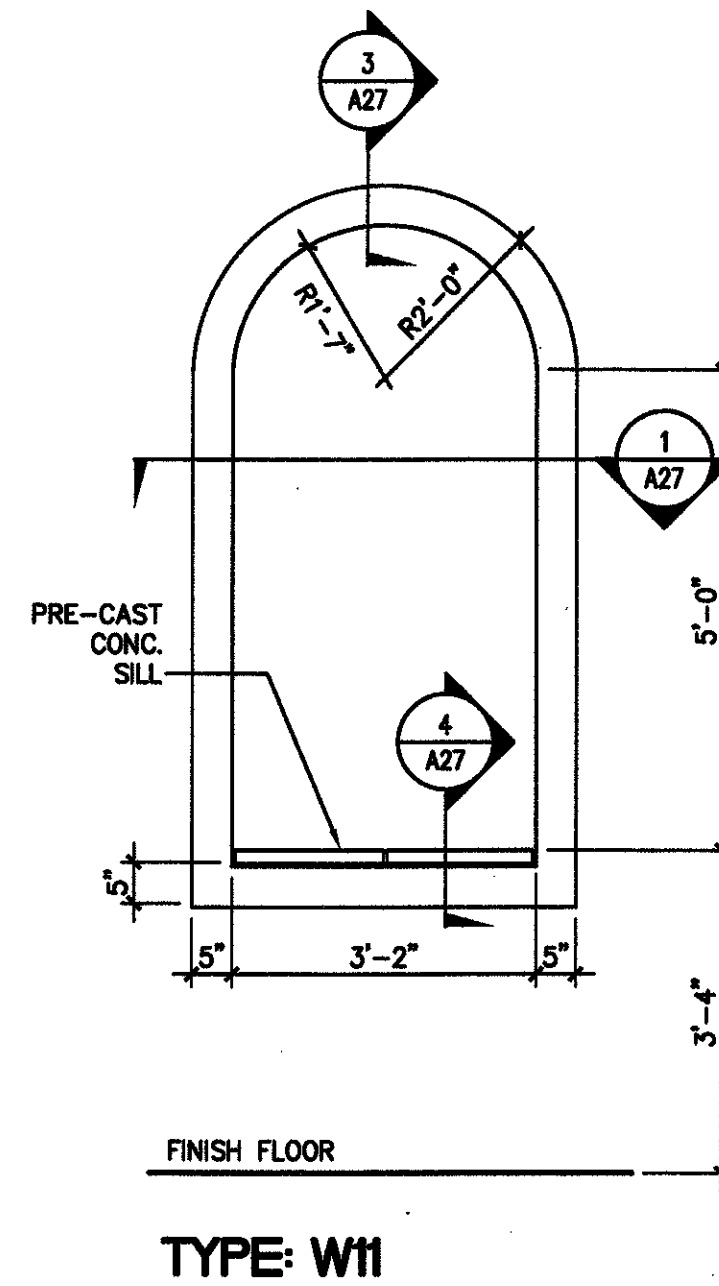
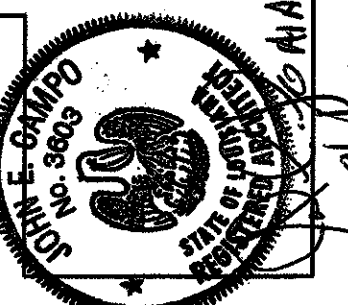


1 OPENING DETAIL
A27 1'-1'-0"



EXISTING, SHOWN FOR INFORMATIONAL PURPOSES.



John E. Campo, Architect
105 Ducaquet Dr.
Destrehan, LA, 70047
(985) 764-8959

Campo Design
ARCHITECTS

MSGR. JOHN N. PHUC
EDUCATION CENTER - FINAL PHASE
13396 RIVER ROAD, DESTREHAN, LOUISIANA
ST. CHARLES BORROMEO CATHOLIC CHURCH PARISH

A27

SHEET 28 OF 29

DATE:
SEPT. 11, 2009
CD - 1705