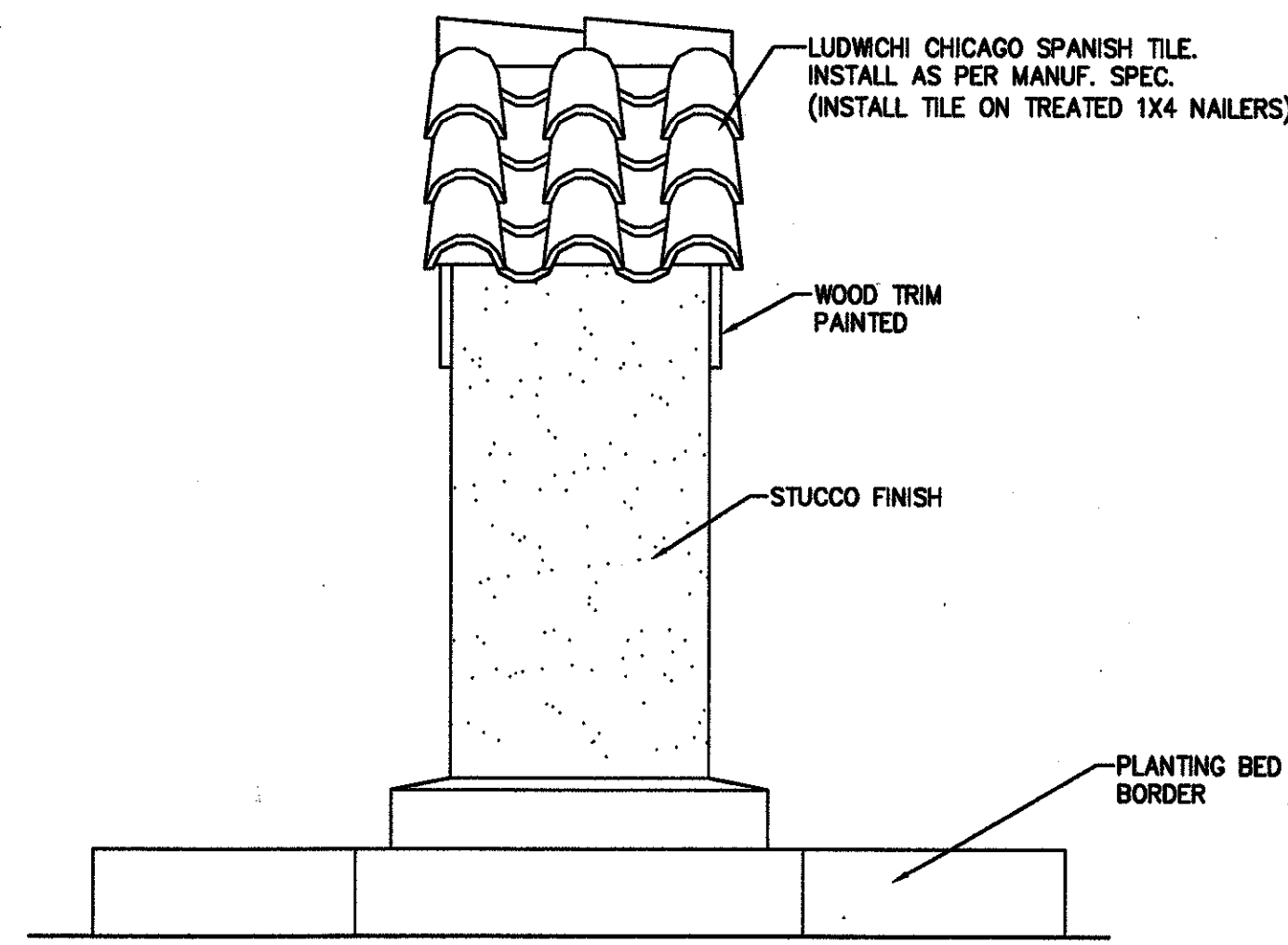
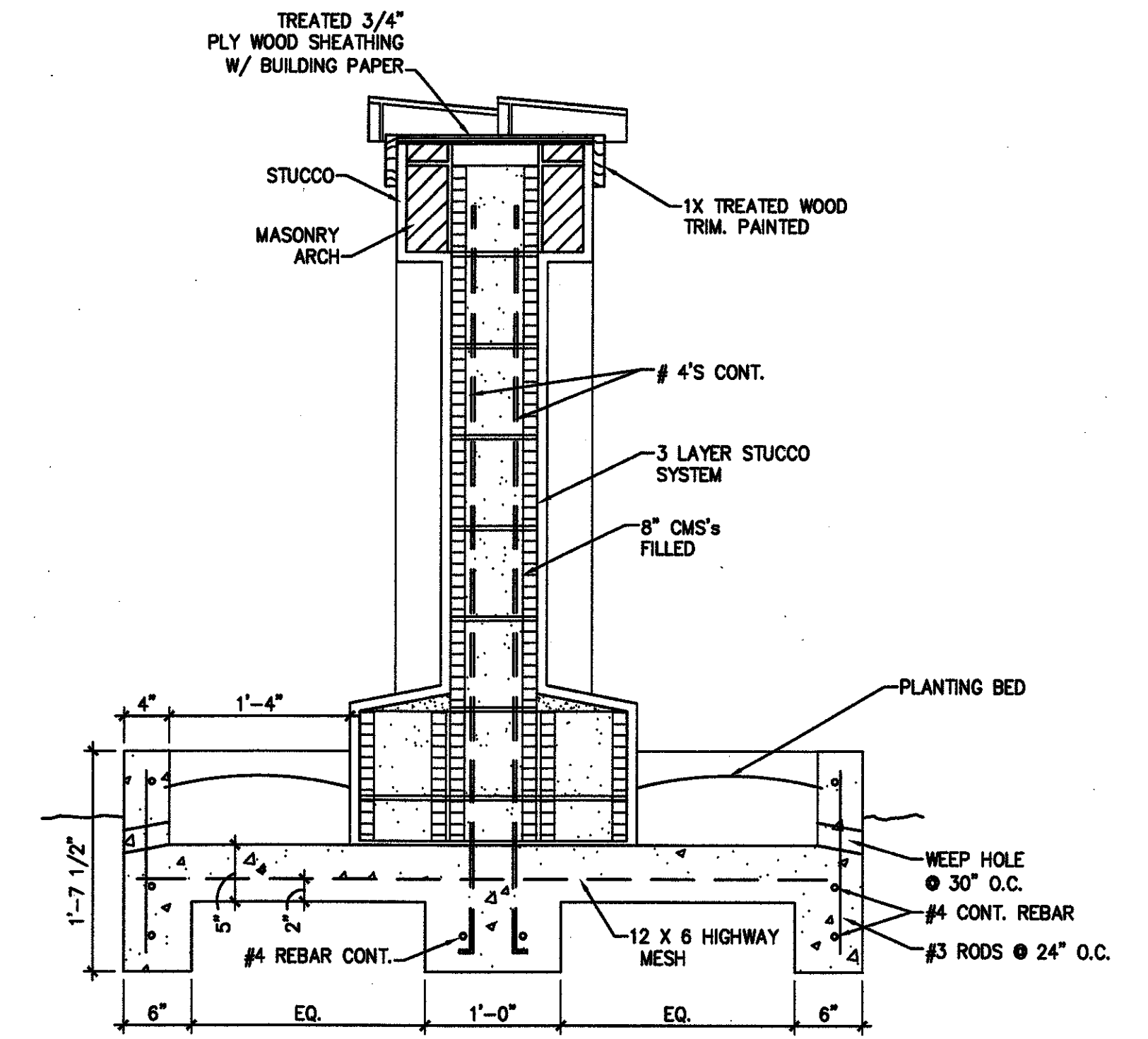


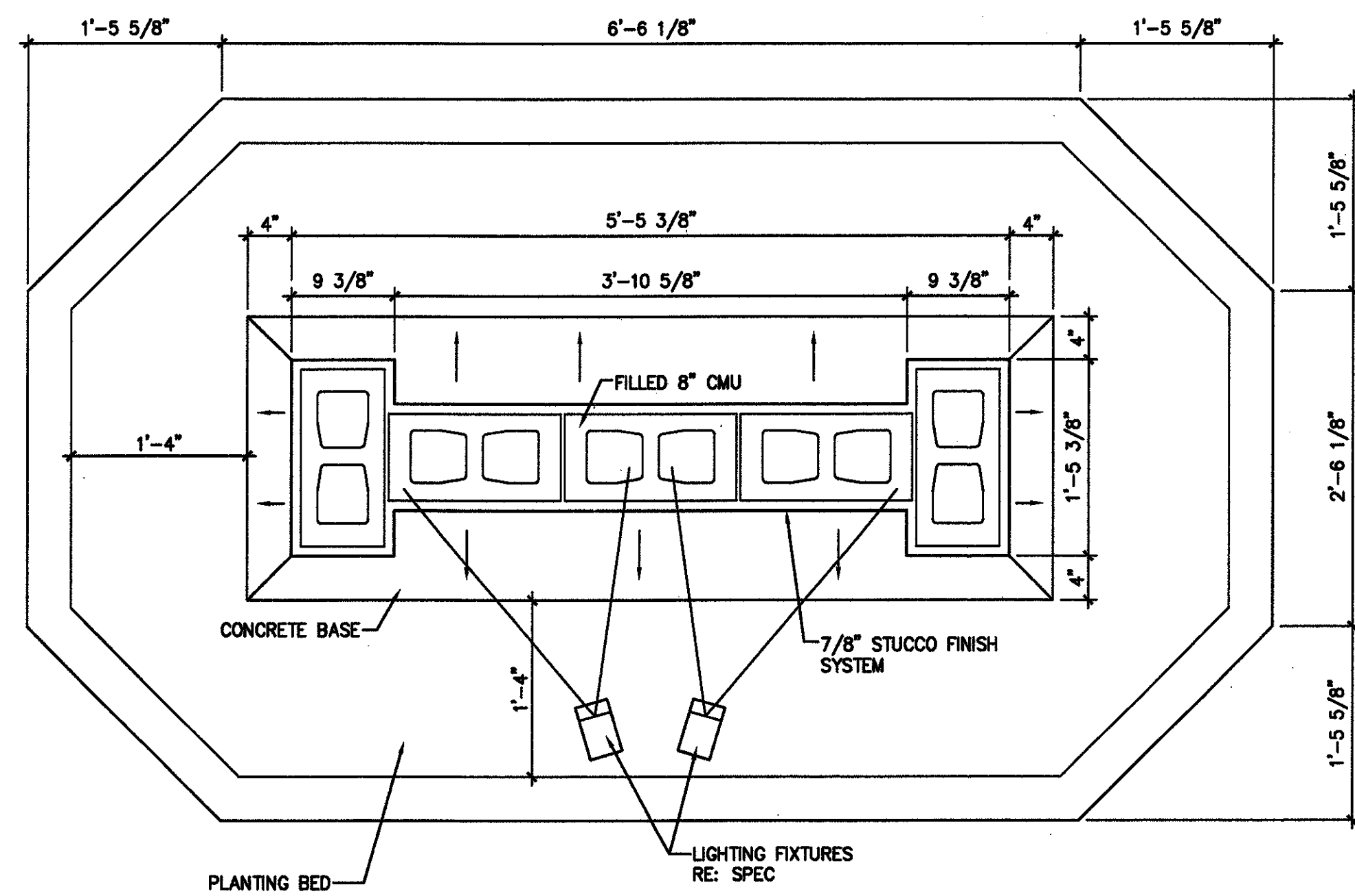
1 FRONT ELEVATION
A28 T-1-0'



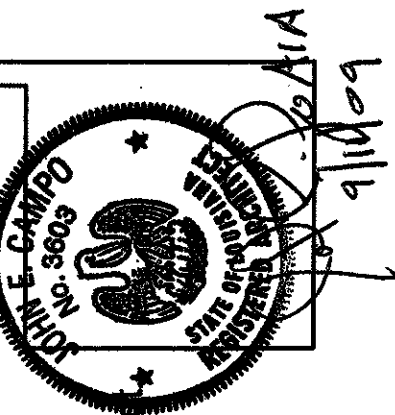
2 SIDE ELEVATION
A28 T-1-0'



3 SECTION
A28 T-1-0'



4 PLAN
A28 T-1-0'



John E. Campo, Architect
105 Ducayet Dr.
Destrehan, LA 70047
(985) 764-8859

Campo Designs
ARCHITECTS

MSGR. JOHN N. PHUC
EDUCATION CENTER - FINAL PHASE
13396 RIVER ROAD, DESTREHAN, LOUISIANA
ST. CHARLES BORROMEIO CATHOLIC CHURCH PARISH

A28

SHEET 29 OF 29

DATE:
SEPT. 11, 2009
CD - 1705