

1 PARITAL SITE PLAN - ELECTRICAL
E101 SCALE: 1/16"=1'-0"

EXIST. PANEL SCHEDULE--PROVIDE CIRCUIT TO BELOW

PANEL "L" 225 AMPS MAIN LUG'S ONLY 208Y/120V, 3Ø, 4 WIRE A.I.C. 25K

CKT.	DESCRIPTION	CKT. TRIP	BKR POLES	CKT. TRIP	BKR POLES	DESCRIPTION	CKT.
43	PARKING LIGHTS	20	2	20	2	CANOPY LIGHTS	44
45							46
47	SIGN	20	2	20	2	FLAG POLE LIGHT	48
49							50
51	POLE RECEPTACLES	20	1	20	1	SPARE	52
53							54
55							56

LIGHTING FIXTURE SCHEDULE

TYPE	DESCRIPTION	LAMPS		MOUNTING	NOTES
		#	TYPE		
F1	2x4-3 LAMP LAY IN, 2-BALLAST METALUX 2GR8-332A19/156-UNV-EB82-U	3	F032/35K.	RECESSED	W/2 BALLAST
F2	2x2-2LAMP LAY IN, 1-BALLAST METALUX 2GR8-2U6T8A19/156-UNV-EB81-U	2	F032/35K.	RECESSED	
F3	NOT USED	2	F032/35K.	SURFACE	
F4	2-26W-CFL8" RECESSED COOPER PDS PD8/HW242E/8HC	2	PL26/35K		
F5	4 FOOT-2 LAMP STRIP METALUX-SSF-232-UNV-EB/81-U/WG/SSF-4FT-B	2	F032/35K	SURFACE	
F6	2x4-2 LAMP LAY IN METALUX 2GR8-232A125-UNV-EB81-U	2	F031/35K	RECESSED	W/2 BALLAST
F7	70W-METAL HALIDE GROUND MOUNT FLOOD LUMARK-MPMS70/MS/SF-BZ/MM/SMT-BZ	1	70W M.H.	FLOOR PEDESTAL	①
F8	CONDUIT ONLY				
F9	70WATT-HPS-CANOPY FIXTURE EXITRONIX-TL401-HPS-70-120 LAMP INCLUDED	1	70W H.P.S.	CEILING	
F10	100 WATT-HPS WALL PACK EXITRONIX-TL104-HPS-100-120 LAMP INCLUDED	1	100W H.P.S.	WALL	MTG. HEIGHT: ±28'
F11	ELEVATOR PIT LIGHT LUMARK-ICW1G	1	100A	WALL	ELEV. PIT
F12	2-18WATT DECORATIVE WALL MT/AM TO MATCH EXISTING	2	18W TBX	WALL	
M1	25' POLE W/4-250 WATT-HPS SHOE BOX LIMOUTDOOR-PFT42523H250	4	250W H.P.S.	POLE	PROVIDE POLE
EM	EMERGENCY LIGHT ASTRALITE EU-2-W	2	INC.	WALL	
EX1	EXIT LIGHT ASTRALITE TP-U2-R-W-EM	INC	LED	UNIVERSAL	

SUPPLIED BY OWNER

NO FIXTURE

EXISTING

SUPPLIED BY OWNER

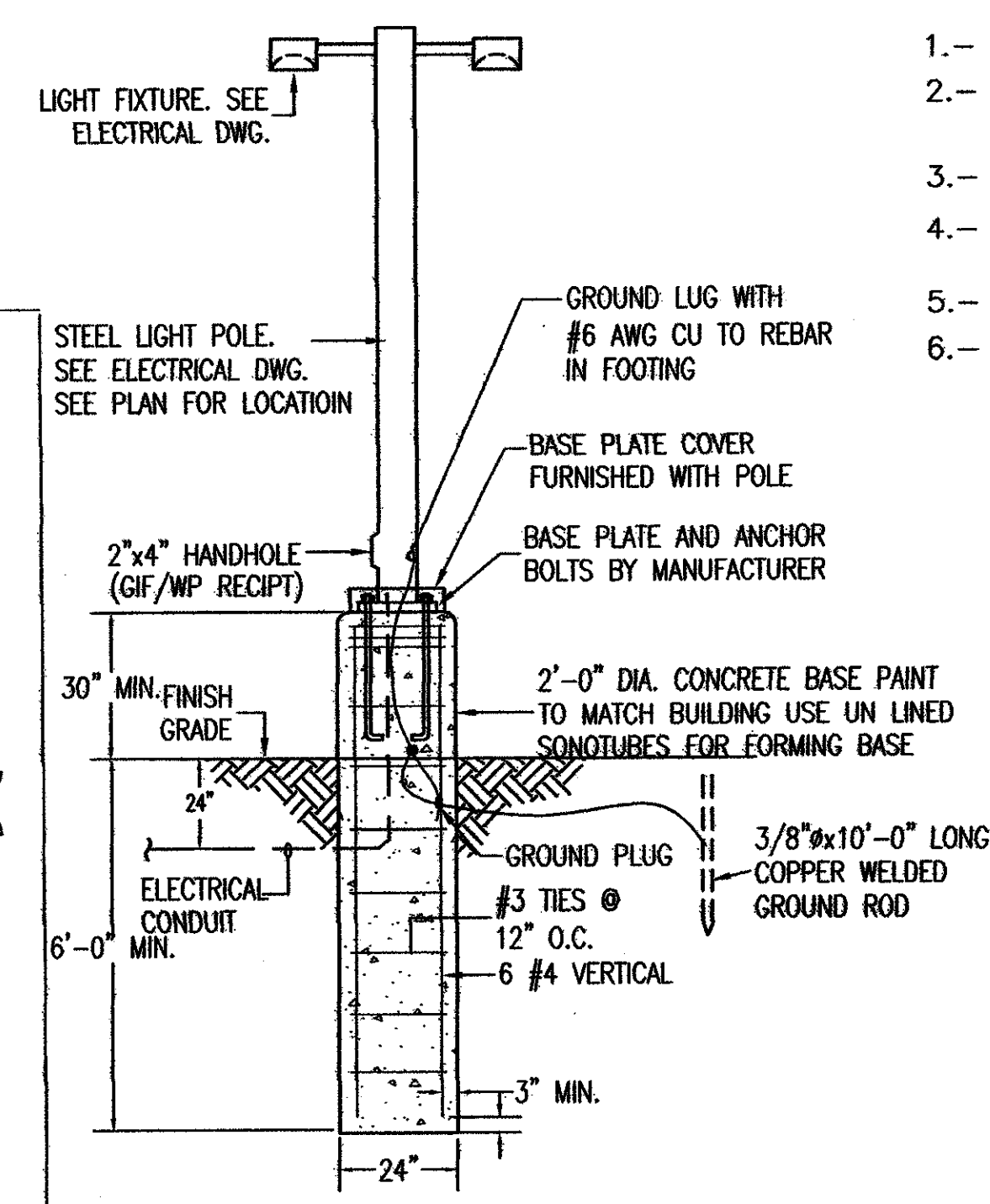
EXISTING

SUPPLIED BY OWNER

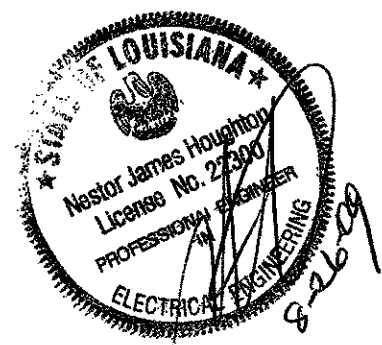
① THE CONDUIT STUB-UP TO FIXTURE FITTING SHALL BE IN 6"x6"x4" CONCRETE PEDESTAL TO SUPPORT THE CONDUIT UP FROM UNDERGROUND.

LIGHTING FIXTURE NOTES:

- INTERIOR LIGHTING FIXTURES PROVIDED BY OWNER.
- NEED TO KNOW TENON SIZE COMING OUT OF CONDUIT, SUGGEST 2" RIGID.
- FIXTURE TO MATCH EXISTING.
- ARCHITECT TO VERIFY METAL HALIDE OR HPS LIGHT SOURCE.
- FIXTURES WITH .156 LENS.
- EXTERIOR LIGHTING PROVIDED BY FIRST LIGHT CONTRACTOR TO INCLUDE ALLOWANCE OF \$ 10,000.00 INCLUDING SALES TAX AND FREIGHT.



2 LIGHTING STANDARD FOUNDATION TYPICAL DETAIL
E101 SCALE: N.T.S.



- NOTES:**
- LIGHT POLE SUPPLIER OF SUBCONTRACTOR TO SUPPLY LIGHT POLE INFORMATION TO GENERAL CONTRACTOR AND VERIFY SHOP DRAWING BY STRUCTURAL ENGINEER FOR FOUNDATION
 - POLE BASE SHALL BE IN NATURAL UNDISTURBED SOIL OR APPROVED COMPACTED FILL.
 - SEE SITE PLAN FOR LIGHT LOCATIONS.

M-K ENGINEERING, INC.
CONSULTING ENGINEERS
HVAC-PLUMBING-FIRE PROTECTION-ELECTRICAL
4323 Division Street, Suite 211
Metairie, LA 70002
Tel:(504) 887-2376, Fax:(504) 887-2302
Email: MKansagra@M-K-E.com
M-K Project No.: 02105

John E. Campo, Architect
105 Ducayet Dr.
Destrehan, LA 70047
(985) 764-8859

Campo Design
ARCHITECTS

THE MSGR. JOHN H. PHUC
EDUCATION CENTER - PHASE III
13396 RIVER ROAD, DESTREHAN, LOUISIANA
ST. CHARLES BORROMEO CATHOLIC CHURCH PARISH