

**FIRE ALARM NOTES**

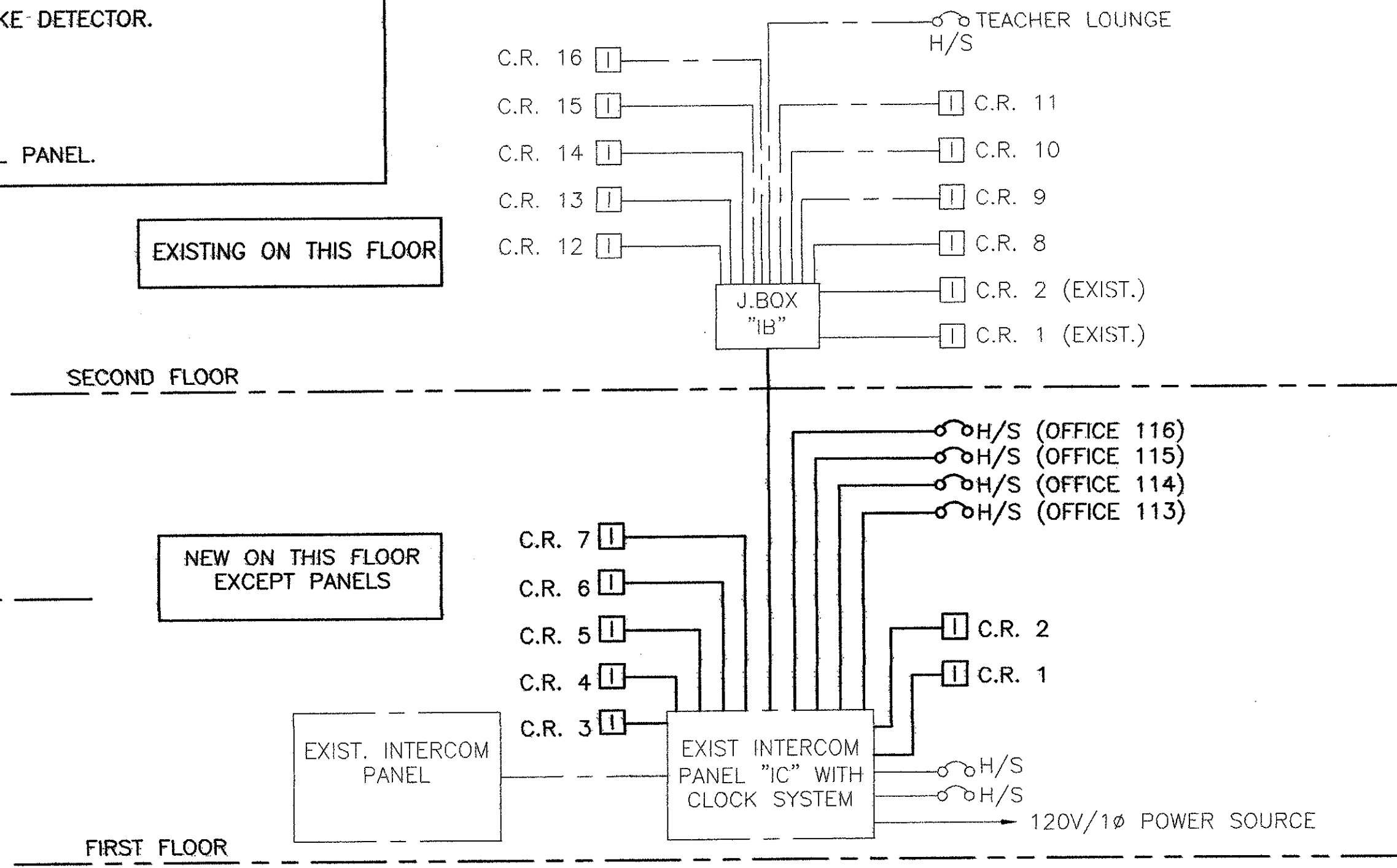
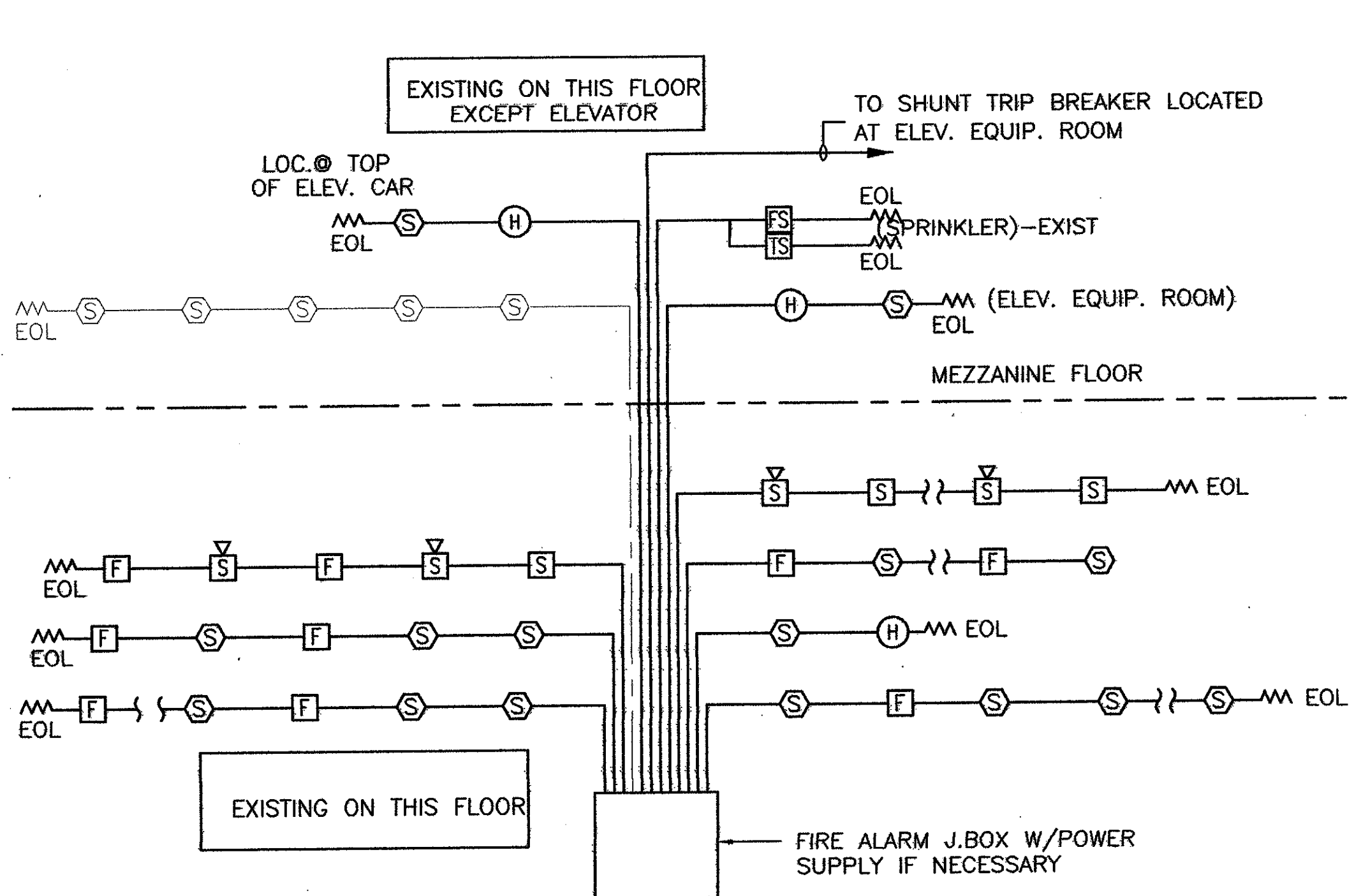
- EXISTING FIRE ALARM PANEL TO MONITOR NEW FIRE ALARM PANEL FOR ALARM AND TROUBLE CONDITIONS. A SPARE ZONE IN EXISTING FACP WILL BE DESIGNATED TO MONITOR NEW PANEL.
- PROVIDE ZONE FOR ELEVATOR RECALL ON NEW PANEL.
- RISER DIAGRAM DOES NOT NECESSARILY INDICATE ALL DEVICES REQUIRED. SEE PLAN AND SPECIFICATIONS.
- RUN WIRING IN CONDUIT TO ALL FIRE ALARM DETECTION AND SIGNALING DEVICES, SOME OF THE EXISTING CONDUIT MAY USE IF IT IS FEASIBLE OTHERWISE PROVIDE NEW.
- RUN 1" EMPTY CONDUIT TO TELEPHONE BACKBOARD.
- MAKE PROVISIONS AT ELEVATORS CONTROLLER FOR ELEVATOR RECALL.

**FIRE ALARM SYMBOLS**

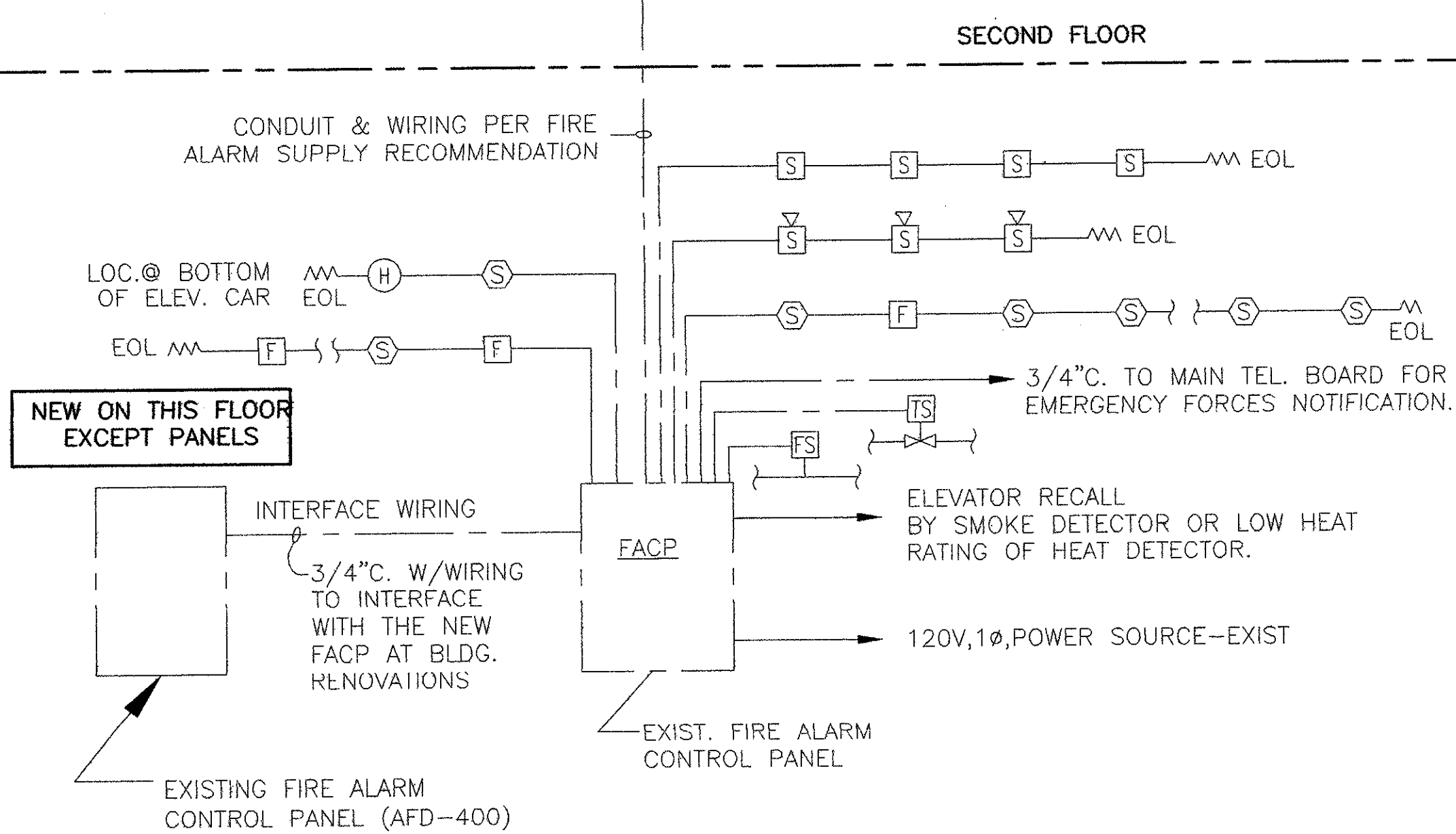
- S** STROBE UNIT 15/75 CD UNLESS NOTED.
- S** COMBINATION HORN/STROBE (15/75 UNLESS NOTED).
- S** COMBINATION SPEAKER/STROBE (15/75 UNLESS NOTED).
- H** ADDRESSABLE HEAT DETECTOR, CEILING MTD.
- F** MANUAL PULL STATION MTD. 42" A.F.F. U.O.N.
- S** PHOTOELECTRIC SMOKE DETECTOR.
- FS** FLOW SWITCH
- TS** TAMPER SWITCH
- [Symbol]** FIRE ALARM CONTROL PANEL.

**LEGEND**

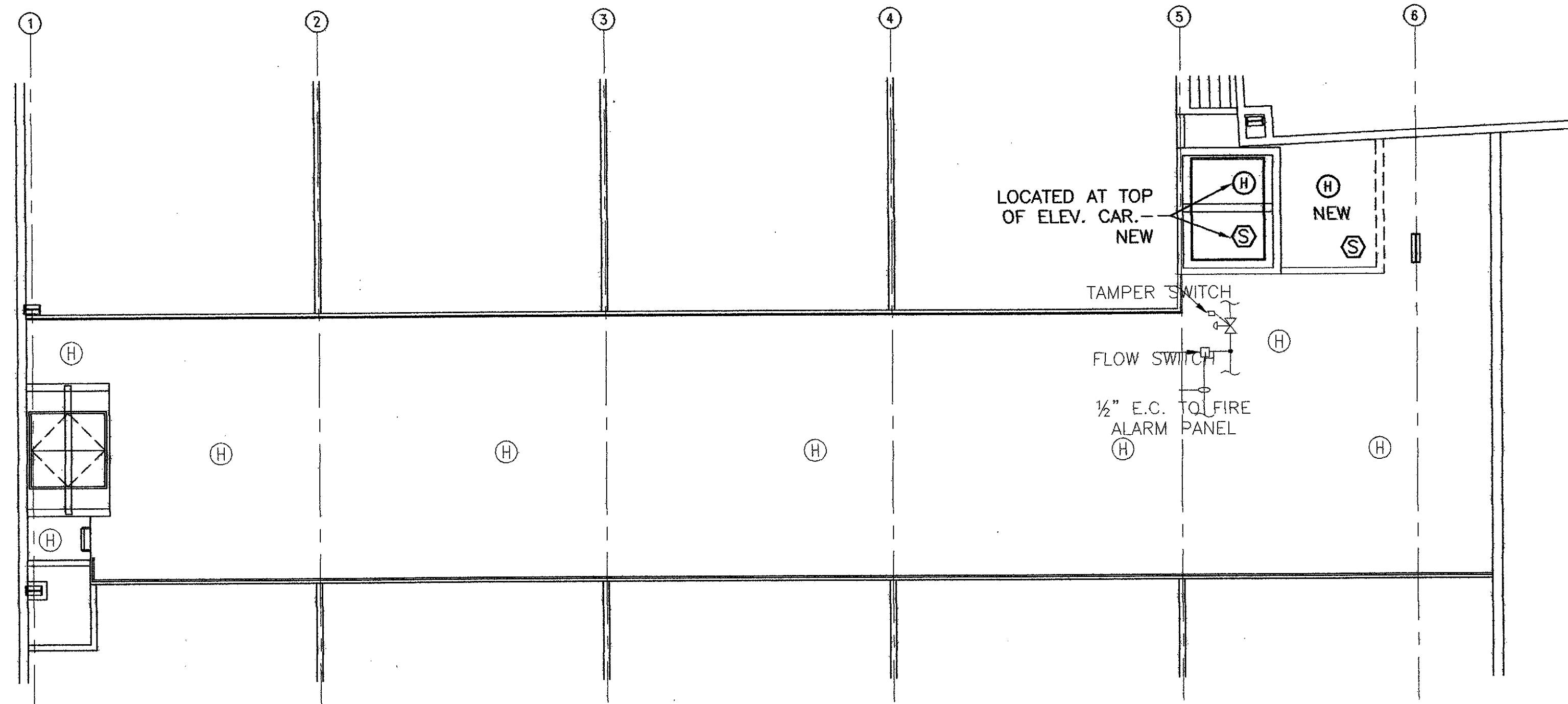
SYMBOL	DESCRIPTION
[Symbol]	FLUORESCENT LIGHT FIXTURE. LETTER DENOTES FIGURE TYPE SEE FIXTURE SCHEDULE.
[Symbol]	FLUORESCENT LIGHT FIXTURE (2'X2')
[Symbol]	RECESSED DOWN LIGHT
[Symbol]	WALL MOUNTED LIGHT FIXTURE
[Symbol]	FLUORESCENT STRIP
[Symbol]	WALL MOUNTED LIGHT FIXTURE HID.
[Symbol]	CEILING MOUNTED LIGHT FIXTURE HID. (CANOPY)
[Symbol]	EXIT LIGHT FIXTURE, WITH DIRECTIONAL ARROWS ON FACE (SHADED AS INDICATED)
[Symbol]	EMERGENCY BATTERY PACK FIXTURE
[Symbol]	SINGLE POLE TOGGLE SWITCH, MTD. 48" AFF, UON
[Symbol]	THREE WAY TOGGLE SWITCH (KEY OPERATED)
[Symbol]	MANUAL STARTER WITH (O/L) OVER LOAD ELEMENT.
[Symbol]	DUPLEX RECEPTACLE MTD. 18" AFF, UON
[Symbol]	DUPLEX RECEPTACLE W/GND FAULT CIRCUIT INTERRUPTER, HORIZONTAL 44" ABOVE COUNTER BACKSPLASH, UON.
[Symbol]	WEATHER PROOF RECEPTACLE
[Symbol]	INTERCOM HANDSET
[Symbol]	WALL MOUNTED TELEPHONE OUTLET, MTD. 15" AFF. UON PROVIDE CONDUIT AND BACK BOX W/3/4" E.C. TO CEILING SPACE
[Symbol]	COMPUTER OUTLET WITH STUB-UP 3/4" E.C. TO CEILING SPACE
[Symbol]	JUNCTION BOX 4"x4"x2" W/BLANK COVER RECESSED WITH #2-3/4" STUB UP TO CEILING SPACE W/PULL WIRE
[Symbol]	TV OUTLET BOX WITH TV JACK LOCATED NEAR TV UNIT
[Symbol]	POWER COMPANY METER
[Symbol]	EXIST. CT'S CABINET TO BE USED AS PULL BOX FOR ENERGY SERVICE FEEDERS.
[Symbol]	PANELBOARD/LOAD CENTER
[Symbol]	INTERCOM CABINET WITH CLOCK SYSTEM
[Symbol]	INTERCOM STATION W/HANDSET AND DIGITAL CLOCK
[Symbol]	MOTOR RATED TOGGLE SWITCH
[Symbol]	COMBINATION STARTER FURNISHED BY DIV. 15, INSTALLED BY CONTRACTOR
[Symbol]	MAGNETIC STARTER OR CONTROL PANEL
[Symbol]	CIRCUIT HOMERUN, NO. AS INDICATED BY ARROW HEADS
[Symbol]	CIRCUIT WIRING IN CONDUIT, SHORT TICMARKS INDICATE PHASE CONDUCTORS, LONG TICMARKS INDICATE NEUTRAL CONDUCTORS, NO MARKS SHALL INDICATE 2#12, 1#2 GND; 1/2C.
[Symbol]	CIRCUIT CONCEALED IN CEILING OR WALL
[Symbol]	UNDER FLOOR OR UNDERGROUND CONDUIT



**3 INTERCOM SYSTEM WIRING DIAGRAM-EXIST. EXCEPT NOTED**  
E107 SCALE: N.T.S.



**2 FIRE ALARM RISER DIAGRAM - OPERATIONS CENTER-EXIST. EXCEPT NOTED**  
E107 SCALE: N.T.S.



**1 MEZZ. FLOOR PLAN - SPECIAL SYSTEM-EXIST. EXCEPT NOTED**  
E107 SCALE: 1/8"=1'-0"

**M-K ENGINEERING, INC.**  
CONSULTING ENGINEERS  
HVAC-PLUMBING-FIRE PROTECTION-ELECTRICAL  
4323 Division Street, Suite 211  
Metairie, LA 70002  
Tel: (504) 887-2376, Fax: (504) 887-2302  
Email: MKansagra@M-K-E.com  
M-K Project No.: 02105

E107

7 OF 8 SHEETS  
DATE: SEPT. 11, 2009  
CD - 1705

THE MSGR. JOHN H. PHUC  
EDUCATION CENTER - PHASE III  
13396 RIVER ROAD, DESTREHAN, LOUISIANA  
ST. CHARLES BORROMEO CATHOLIC CHURCH PARISH

**Campo Design**  
ARCHITECTS

John E. Campo, Architect  
105 Ducalet Dr.  
Destrehan, LA 70047  
(985) 764-8959

