

AIR HANDLING UNIT SCHEDULE-DARKER IS NEW

MARK	CFM	OUTSIDE AIR, CFM	EXT. S.P. IN.W.G.	FAN MOTOR			COOLING COIL DATA				ELECTRIC HEATING COIL DATA				FILTER SECTION			WEIGHT LBS.	MODEL NO.	REMARKS			
				HP	VOLTS	PHASE	CAPACITY BTU/HR		ENT. AIR		GPM	MAX. COIL P.D.		CAPACITY BTU/HR	KW	VOLTAGE	MAX. COIL P.D. AIR (IN.)				TYPE	EFF. %	S.P. IN. OF WATER
AHU-1	1750	300	0.8	1	208	3	48,000	36,000	78.0	68.6	10	0.70	10	34,000	10	208V/3Ø	0.25	2" TA	30	0.25	400	BCHB60	(1) TO (7)
AHU-2 TO 4	1200	300	0.8	1	208	3	42,000	28,000	78.0	68.6	7	0.70	10	34,000	10	208V/3Ø	0.25	2" TA	30	0.25	400	BCHB48	(1) TO (7)
AHU-5	600	100	0.8	1/2	208	3	18,000	12,000	78.0	68.6	3	0.70	10	34,000	10	208V/3Ø	0.25	2" TA	30	0.25	400	BCHB24	(1) TO (7)
AHU-6 TO 10	1200	300	0.8	1	208	3	42,000	28,000	78.0	68.6	7	0.70	10	34,000	10	208V/3Ø	0.25	2" TA	30	0.25	400	BCHB48	(1) TO (7)
AHU-11 TO 14	1200	300	0.8	1	208	3	42,000	28,000	78.0	68.6	7	0.70	10	34,000	10	208V/3Ø	0.25	2" TA	30	0.25	400	BCHB48	(1) TO (7)
AHU-15	600	100	0.8	1/2	208	3	18,000	12,000	78.0	68.6	3	0.70	10	34,000	10	208V/3Ø	0.25	2" TA	30	0.25	400	BCHB24	(1) TO (7)
AHU-16 TO 21	1200	300	0.8	1	208	3	42,000	28,000	78.0	68.6	7	0.70	10	34,000	10	208V/3Ø	0.25	2" TA	30	0.25	400	BCHB48	(1) TO (7)

- REMARKS : 1. SELECTION BASED ON TRANE CO., YORK, McQUAY, CARRIER, OR EQUAL.
 2. EXTERNAL PRESSURE INCLUDES DIFFUSER, GRILLE, CLEAN FILTER (0.25"), AND DUCT WORK.
 3. HORIZONTAL UNIT.
 4. CHILLED WATER ENTERING COIL = 45°F
 5. MAX. COIL FACE VELOCITY : COOLING = 500 FPM
 6. FURNISH WITH ADJUSTABLE BELT DRIVE
 7. FURNISH WITH FILTERS BOX

PACKAGED AIR COOLED CHILLER SCHEDULE-EXISTING

MARK	CAPACITY (TON)	EER	DESIGN AMBIENT TEMP °F	ENT. WATER TEMP °F	LVG. WATER TEMP °F	GPM	MAX. PD.D FT. OF WATER	FOULING FACTOR	NO. OF CONTROL STEPS	COMPRESSOR MOTOR				COND. FAN MOTOR			MANUFACTURER / MODEL NO.	WEIGHT	UNIT			REMARKS		
										NO.	RLA-1	RLA-2	VOLTS	PHASE	NO.	FLA (EA.)			VOLTS	PHASE	MCA		FUSE SIZE	VOLTAGE
CH-1	75.0	10	95	56	44	150	14	0.0005	4	2	115	115	208	3	8	5.1	208	3	TRANE/RTAA80	8500 LBS	300	400	208V, 3PH., 60HZ	(1) THROUGH (7)

- REMARKS : 1. MINIMUM TWO REFRIGERANT CIRCUITS.
 2. R-22 REFRIGERANT.
 3. FURNISH WITH VIBRATION RUBBER ISOLATORS AT EACH SUPPORT POINT.
 4. TRANE CO. SELECTED. CARRIER, YORK, McQUAY OR EQUAL.
 5. PROVIDE 115V / 1PH. OUTLET IN CHILLER PANEL.
 6. 100/75/50/25 % CAPACITY COMPRESSORS
 7. SINGLE POINT POWER SUPPLY

CONDUIT & WIRING PER FIRE ALARM SUPPLY RECOMMENDATION

FAN COIL UNIT SCHEDULE-EXIST

MARK	LOCATION	CFM	OUTSIDE AIR, CFM	TOTAL S.P. IN.W.G.	FAN MOTOR			COOLING COIL DATA				ELECTRIC HEATING COIL DATA				FILTER SECTION			WEIGHT LBS.	MODEL NO.	REMARKS			
					WATTS	VOLTS	PHASE	CAPACITY BTU/HR		ENT. AIR		GPM	AIR PD		CAPACITY BTU/HR	ENT. AIR	KW	AIR PD IN.				TYPE	EFF. %	S.P. IN. OF WATER
FCU-1	WOMEN TOILET	400	-	0.5	225	120	1	12,000	9,000	75	65	2.0	0.5	5	10,240	72.0	3.0	0.15	1" TA	30	0.25	300	D400	(1)
FCU-2 & 3	MEN TOILET/ELEV.	400	-	0.5	225	120	1	12,000	9,000	77	65	2.0	0.5	5	10,240	72.0	3.0	0.15	1" TA	30	0.25	300	D400	(1)

1. SELECTION BASED ON TRANE CO. HORIZONTAL CABINET UNIT.

PUMP SCHEDULE-EXIST.

MARK	SERVICE	TYPE	GPM	TOTAL HEAD FT. OF WATER	ELECTRICAL DATA				MIN. EFF.	MANUFACTURER / MODEL NO.	SIZE	REMARKS
					H.P.	RPM	VOLTS	PHASE				
CWP-1&2	CHILLED WATER	END SUCTION	150	85	7.5	1750	208	3	75	AURORA/344	2 1/2 X 3 X 9	(1)(2)(3)

- REMARKS : 1. SELECTION BASED ON AURORA, GRANIFOS, B&G, TACO, AMTROL OR APPROVED EQUAL.
 2. OUTDOOR INSTALLATION (WEATHER PROOF).
 3. ONE PUMP STAND-BY.

ELECTRIC UNIT HEATER SCHEDULE-EXIST

MARK	KW	STAGE	TYPE	SERVING	MANUFACTURER / MODEL	REMARKS
EUH-1 & 2	10	2	HORIZONTAL	ATTIC	MARKEL/F2F5110	(1)(2)(3)

- REMARKS : 1. SELECTION BASED ON MARKEL, TRANE, CHROMALEX OR EQUAL.
 2. FURNISH WITH SUPPORTS, THERMOSTAT, DISCONNECT, FAN SWITCH
 3. 70 CFM, 1/40 HP MOTOR, 32FT THROW.

AIR SEPARATOR SCHEDULE-EXIST

MARK	CAPACITY GPM	SIZE OF TANGENTIAL OPENING (IN.)	MIN. STRAINER FREE AREA (SQ. IN.)	MANUFACTURER / MODEL	REMARKS
AS-1	150	4	112	BELL AND GOSSETT	(1)(2)

- REMARKS : 1. TACO, THRUST, ARMSTRONG OR APPROVED EQUAL.
 2. PROVIDE INSULATION, ALUMINIUM JACKET AND IRON SUPPORT.

EXPANSION TANK SCHEDULE-EXIST

MARK	TYPE	TANK VOL. GAL.	MAX. OPERATING PRESSURE PSIG.	MIN. FILL PRESSURE PSIG.	MANUFACTURER / MODEL	REMARKS
ET-1	CHILLER WTR.	60	12	30	BELL AND GOSSETT	(1)(2)(3)

- REMARKS : 1. TACO, THRUST, ARMSTRONG OR APPROVED EQUAL.
 2. PROVIDE INSULATION AND GALV. IRON SUPPORTS.
 3. BLADDER TYPE TANK

AIR DISTRIBUTION DEVICE SCHEDULE

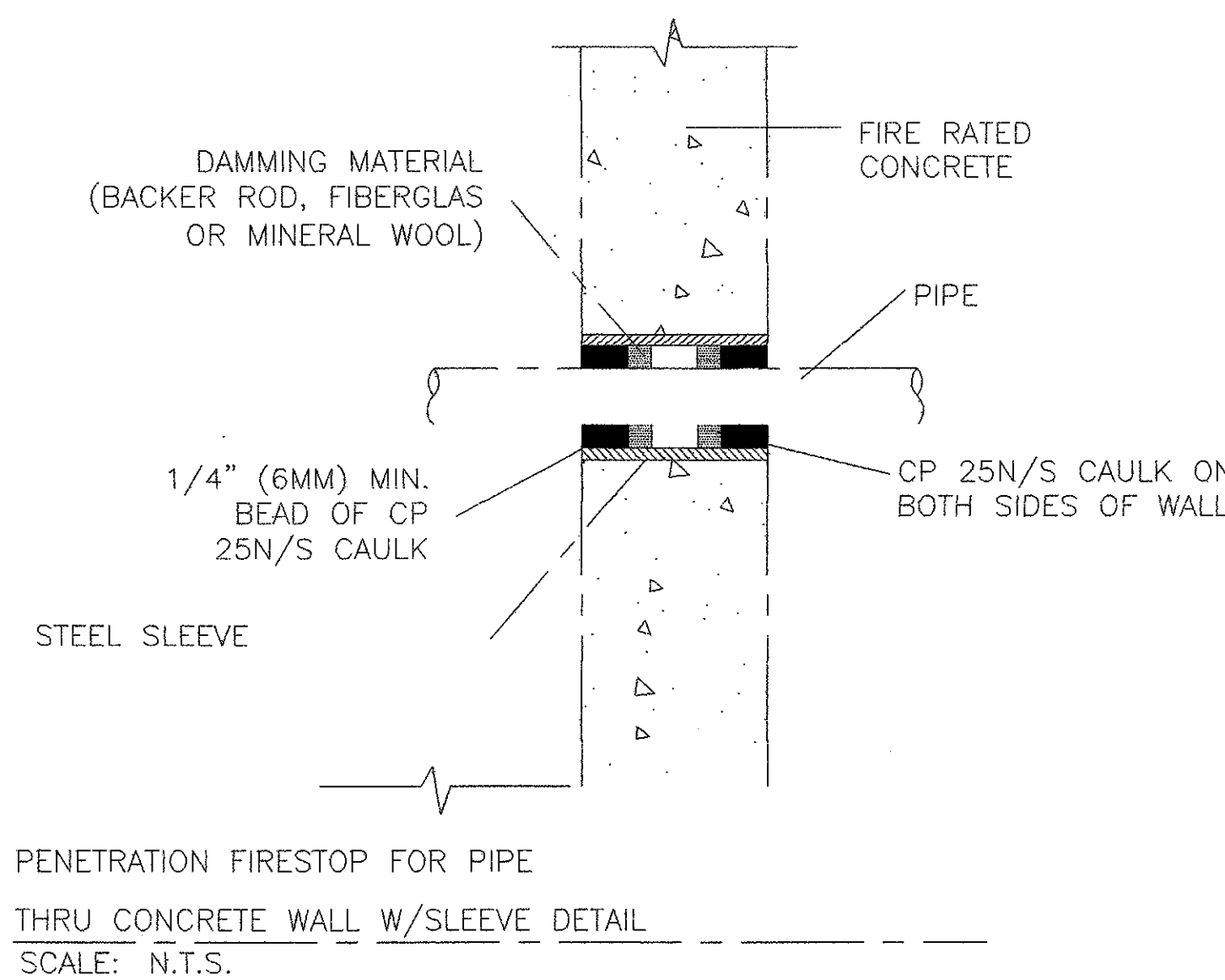
MARK	TYPE	SERVICE	DESCRIPTION	FINISH	ACCESSORIES	MODEL NO.
CD	CEILING DIFFUSER	SUPPLY	LAY-IN 24"x24" MODULE, LOUVER FACE WITH REMOVABLE CORE, ADJUSTABLE VANES, ALL ALUMINUM CONSTRUCTION NECK SIZE AS INDICATED	WHITE ENAMEL	OPPOSED BLADE DAMPER	TDC-AA-3
SR	SIDEWALL REGISTER	SUPPLY	SURFACE MOUNTED, 3/4" SPACING DOUBLE DEFLECTION, ALL ALUMINUM CONSTRUCTION WITH PLASTER FRAME	WHITE ENAMEL	OPPOSED BLADE DAMPER, AG-35AA	272 FS
CR	CEILING RETURN REGISTER	RETURN	AGGRATE ALL ALUMINUM CONSTRUCTION	WHITE ENAMEL	-	50F
EG	EXHAUST GRILLE	EXHAUST	SAME AS "CR".	WHITE ENAMEL	-	50F
RG	SIDE WALL GRILLE	RETURN	3/4" SPACING, 35"FIXED DEFLECTION, ALL ALUMINIUM CONSTRUCTION WITH PLASTER FRAME.	WHITE ENAMEL	-	350FL

- REMARKS : 1. SELECTION BASED ON TITUS, EQUAL BY METALAIRE, CARNES, NAILER, PRICE OR EQUAL.
 2. COLOR SELECTED BY ARCHITECT

FAN SCHEDULE-ALTERNATE-1

MARK	SERVICE	LOCATION	CFM	EXT. S.P. IN.W.G.	TYPE	DRIVE	SOUND DATA SONES	ELECT. DATA			RPM	MODEL NO.	CONTROLS	REMARKS
								H.P. / WATTS	VOLTS	PHASE				
EF-1	TOILET ROOM	CEILING	100	0.15	CEILING	DIRECT	3.7	43 WATTS	115	1	1000	SP-210	LIGHT SWITCH	(1)(2)(3)
EF-2 & 3	TOILET ROOM	CEILING	400	0.15	CEILING	DIRECT	2.2	224 WATTS	115	1	1030	SP-252	LIGHT SWITCH	(1)(2)(3)
EF-4	JANITOR'S RM	CEILING	80	0.15	CEILING	DIRECT	2.2	43 WATTS	115	1	1070	SP-210	LIGHT SWITCH	(1)(2)(3)
EF-5	ATTIC	WALL	16,000	0.15	PROPLER	BELT	22	1.5HP	208	3	631	SB-2H36-15	THERMOSTAT	(1)(2)(3)(4)

- REMARKS : 1. SELECTIONS ARE BASED ON GREENHECK CO. EQUAL BY PENN VENT., LOREN COOK, OR ACME
 2. THERMAL OVERLOAD PROTECTION, DISCONNECT SWITCH AND BACK DRAFT DAMPER
 3. VARIABLE SPEED SWITCH.
 4. FURNISH FAN SLEEVE, BACH DRAFT DAMPER, MOTOR AND FAN GUARD, STARTER WITH DIS CONNECT



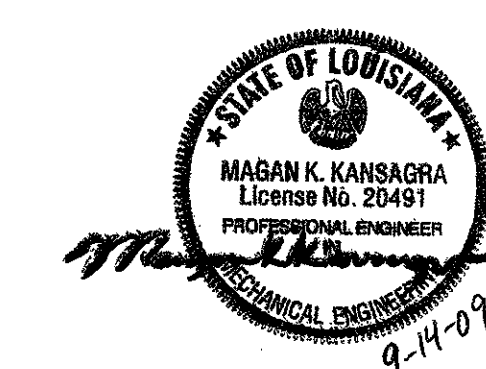
1 THRU CONCRETE WALL W/SLEEVE DETAIL
 M104 SCALE: N.T.S.

John E. Campo, Architect
 106 Ducaquet Dr.
 Destrehan, LA 70047
 (985) 764-8959

Campo Design
 ARCHITECTS

THE MSGR. JOHN H. PHUC
 EDUCATION CENTER - PHASE III
 13396 RIVER ROAD, DESTREHAN, LOUISIANA
 ST. CHARLES BORROMEO CATHOLIC CHURCH PARISH

M104



M-K ENGINEERING, INC.
 CONSULTING ENGINEERS
 HVAC-PLUMBING-FIRE PROTECTION-ELECTRICAL
 4323 Division Street, Suite 211
 Metairie, LA 70002
 Tel:(504) 887-2376, Fax:(504) 887-2302
 Email: MKansagra@M-K-E.com
 M-K Project No.: 02105

4 OF 6 SHEETS
 DATE: SEPT.-11, 2009
 CHECKED BY: MK
 DRAWN BY: JG