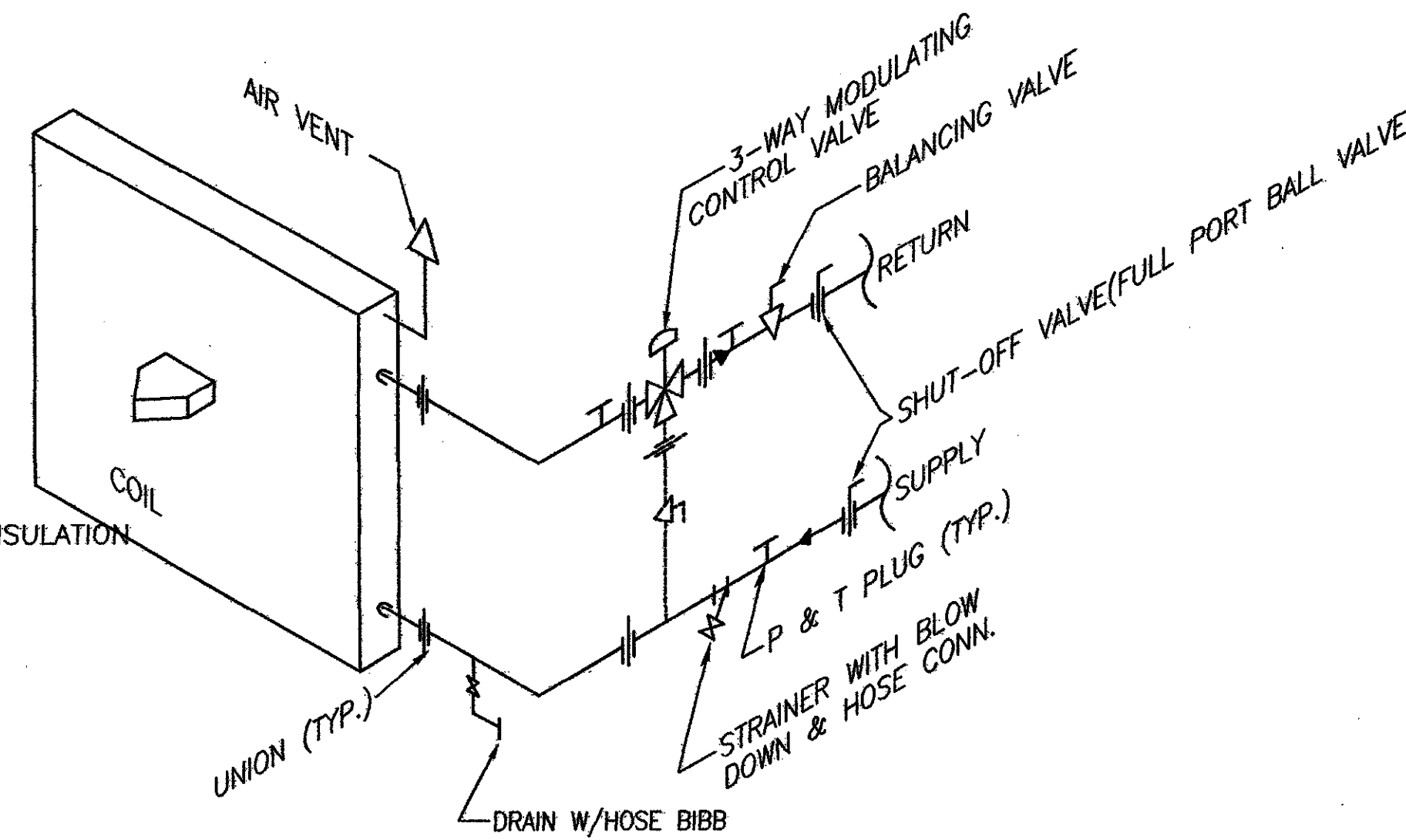
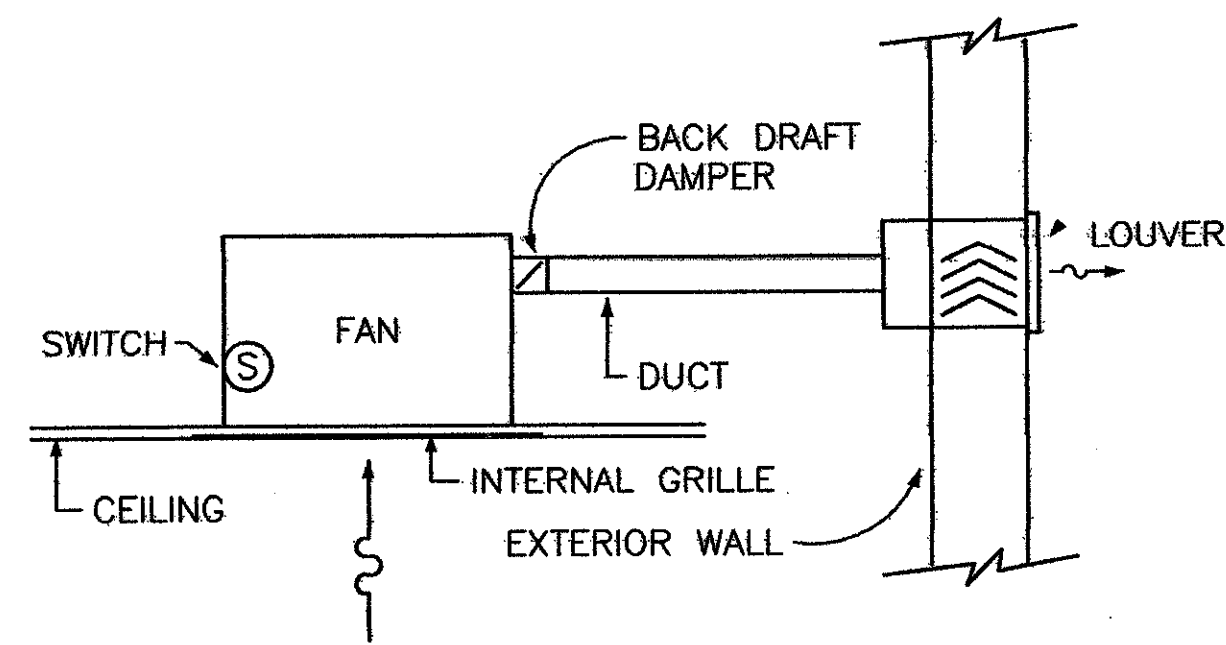


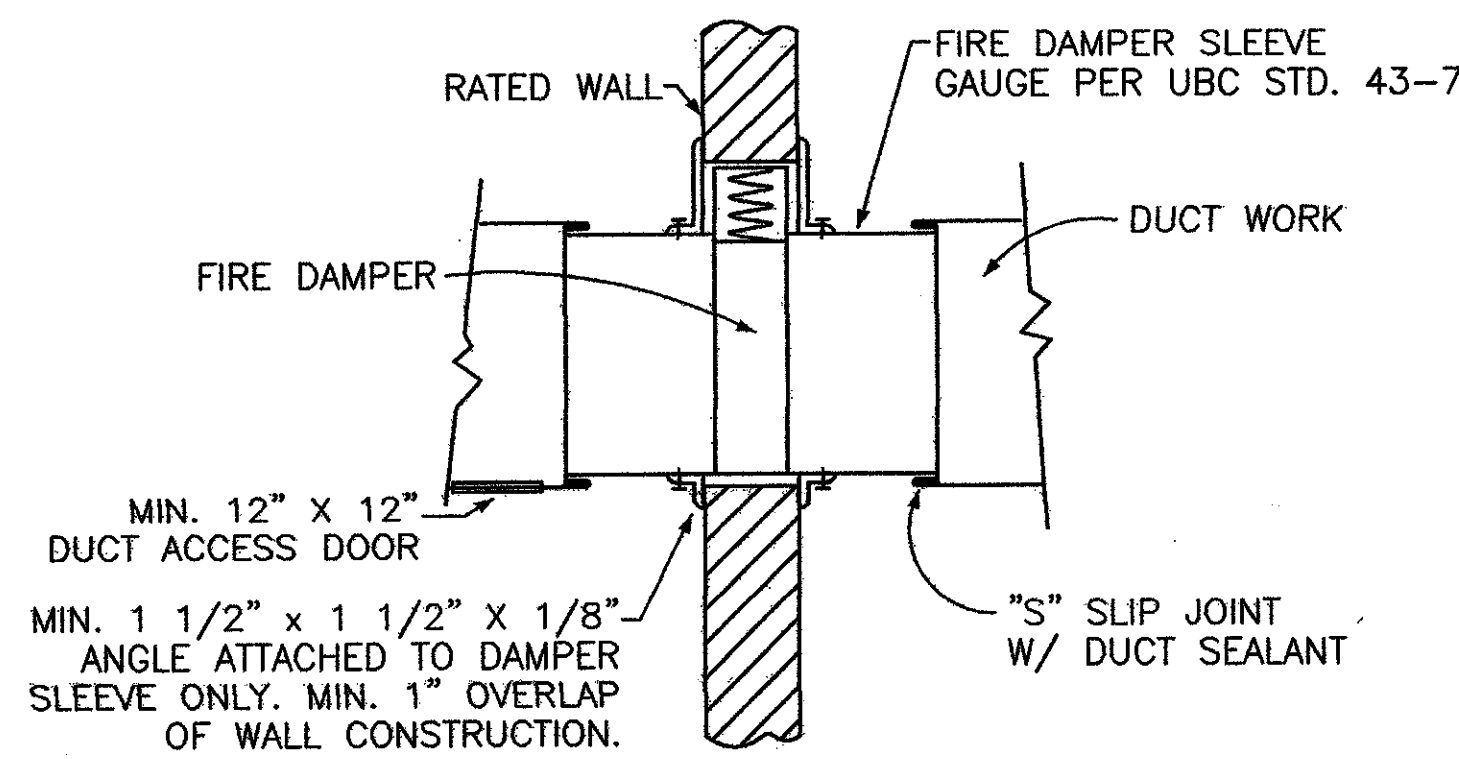
1 TYPICAL DETAIL OF AIR HANDLING UNIT - HORIZONTAL
M105 SCALE: N.T.S.



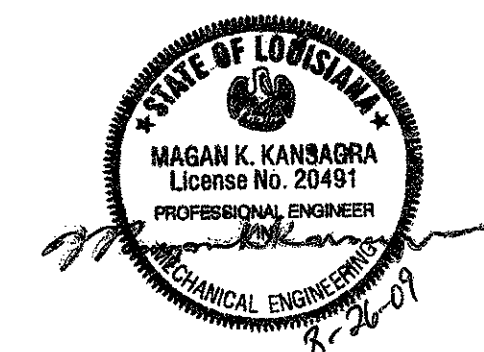
2 TYPICAL CHILL WATER COIL PIPING DETAIL
M105 SCALE: N.T.S.



3 TYPICAL CEILING EXHAUST FAN DETAIL
M105 SCALE: N.T.S.



4 FIRE DAMPER DETAIL
M105 SCALE: N.T.S.



M-K ENGINEERING, INC.
CONSULTING ENGINEERS
HVAC-PLUMBING-FIRE PROTECTION-ELECTRICAL
4323 Division Street, Suite 211
Metairie, LA 70002
Tel:(504) 887-2376, Fax:(504) 887-2302
Email: MKansagra@M-K-E.com
M-K Project No.: 02105

John E. Campo, Architect
105 Ducaquet Dr.
Destrehan, LA 70047
(985) 784-8859

Campo Designs
ARCHITECTS

THE MSGR. JOHN H. PHUC
EDUCATION CENTER - PHASE III
13396 RIVER ROAD, DESTREHAN, LOUISIANA
ST. CHARLES BORROMEO CATHOLIC CHURCH PARISH

M105

4 OF 5 SHEETS

DATE:
SEPT. 11, 2009
CD - 1705