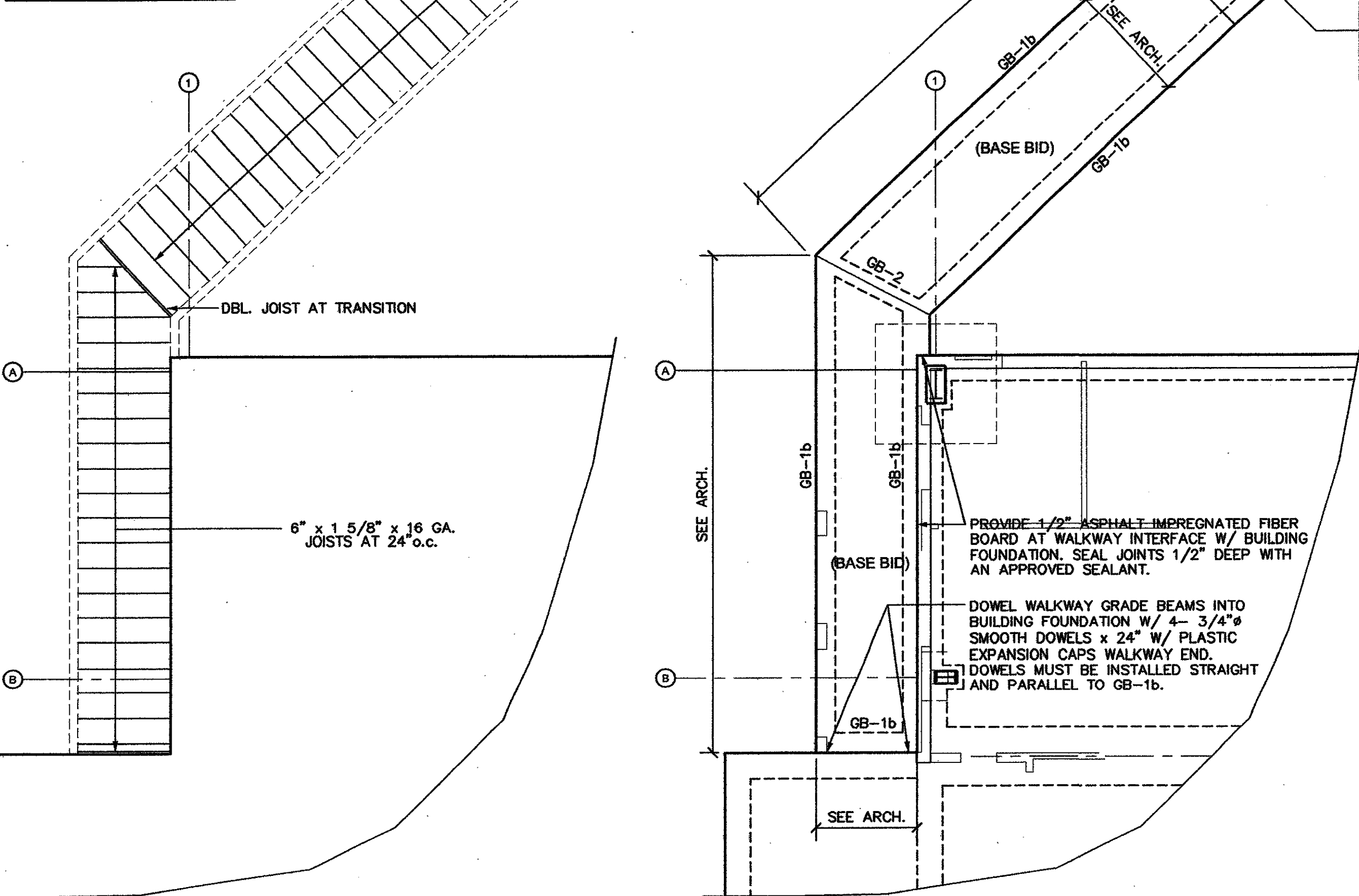
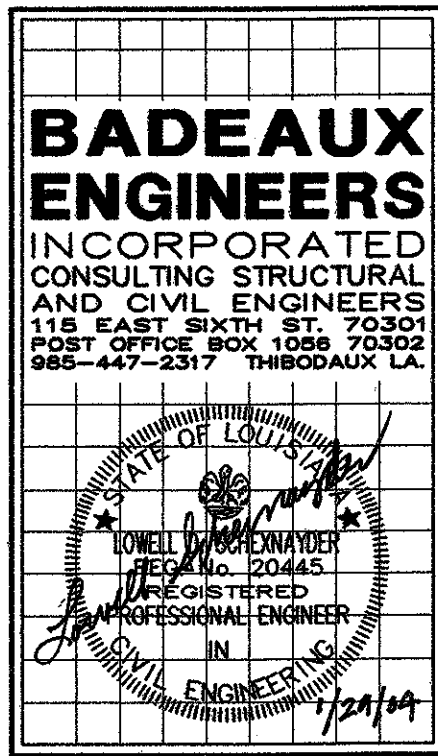
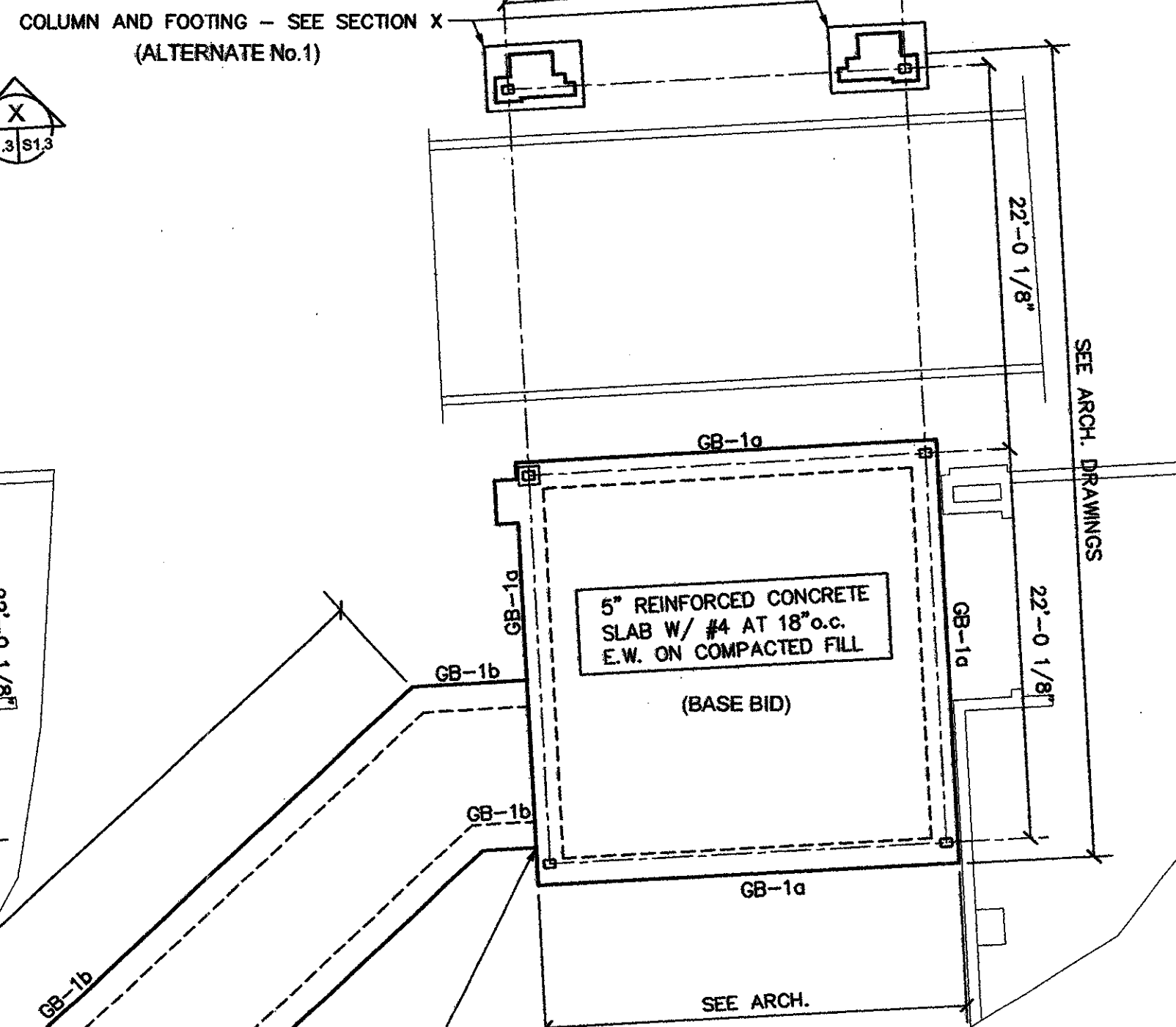


WALL REINFORCING PROFILE
1/4" = 1'-0" ALTERNATE No.1

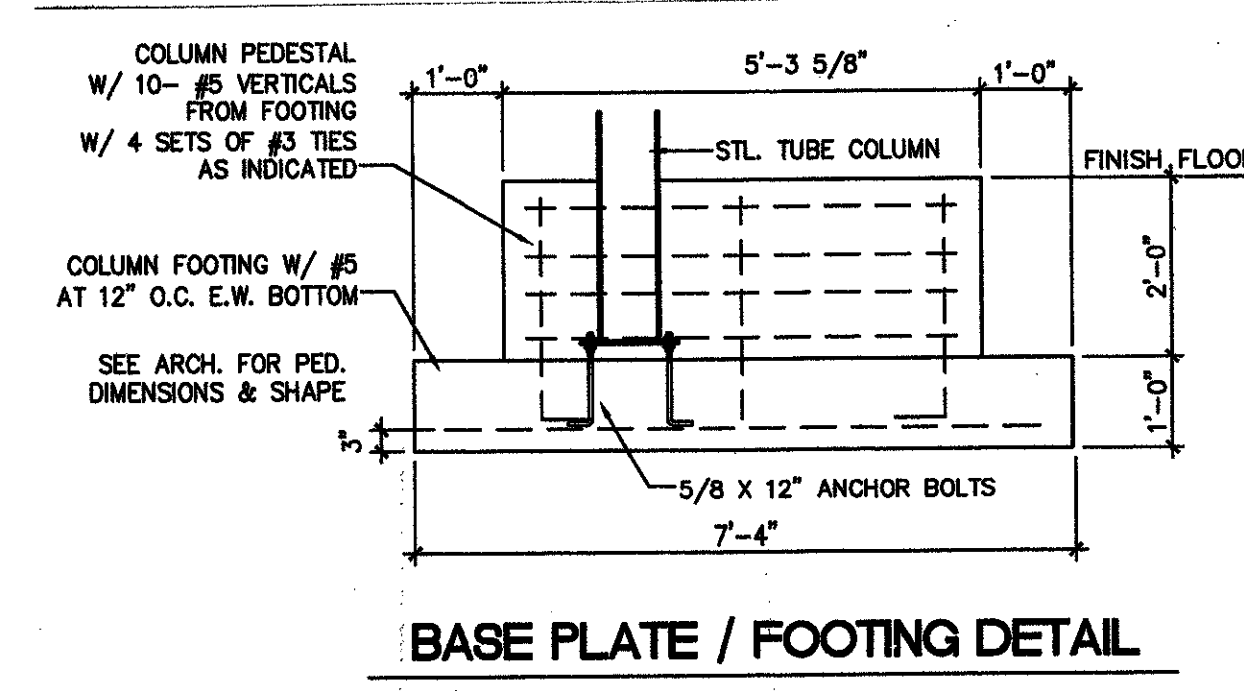
COVERED WALK SECTION
1/4" = 1'-0" ALTERNATE No.1



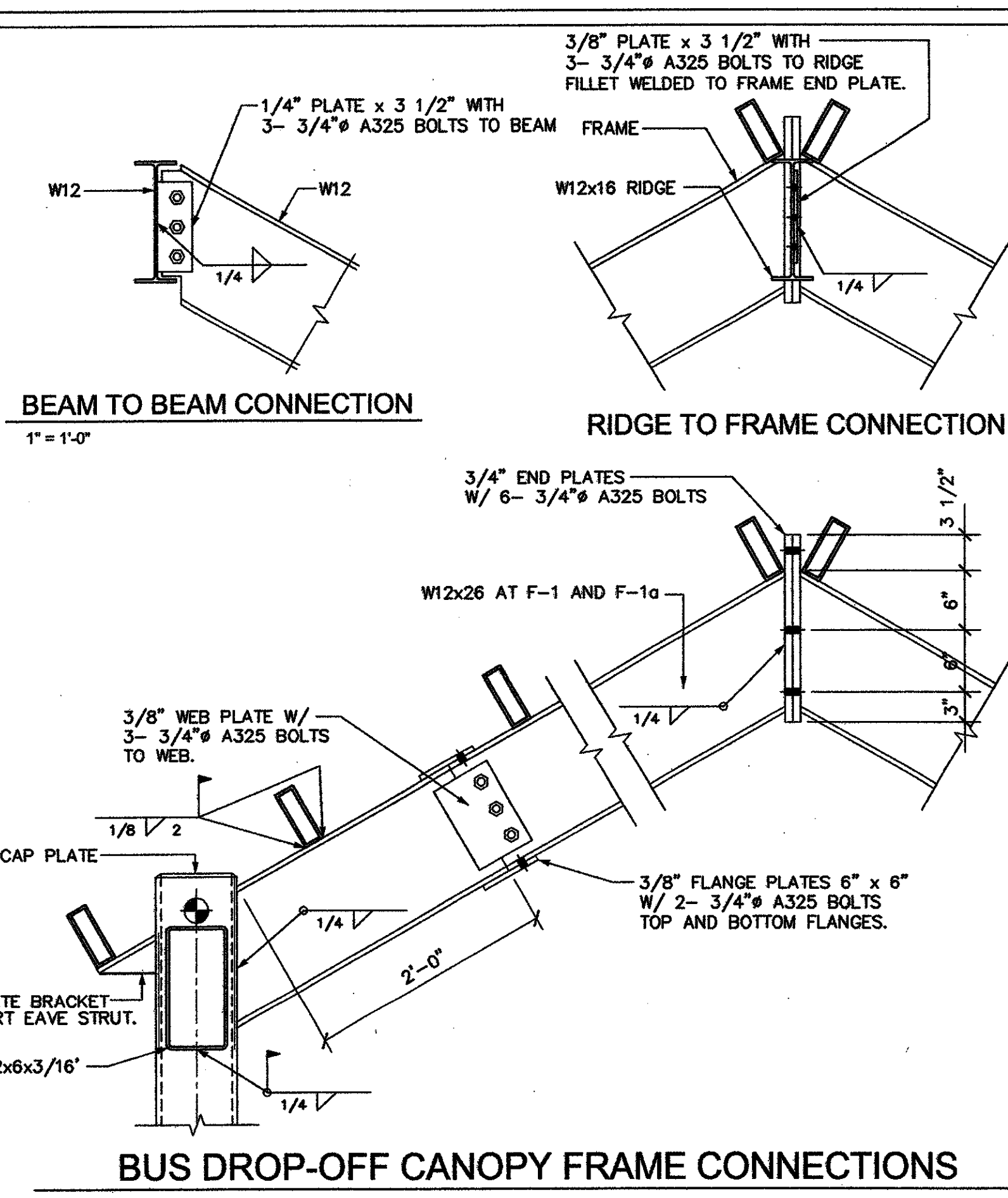
COVERED WALK / BUS DROP-OFF CANOPY ROOF FRAMING PLAN
1/8" = 1'-0" ALTERNATE No.1



COVERED WALK / BUS DROP-OFF CANOPY FOUNDATION PLAN
1/8" = 1'-0" FOUNDATION IS IN BASE BID



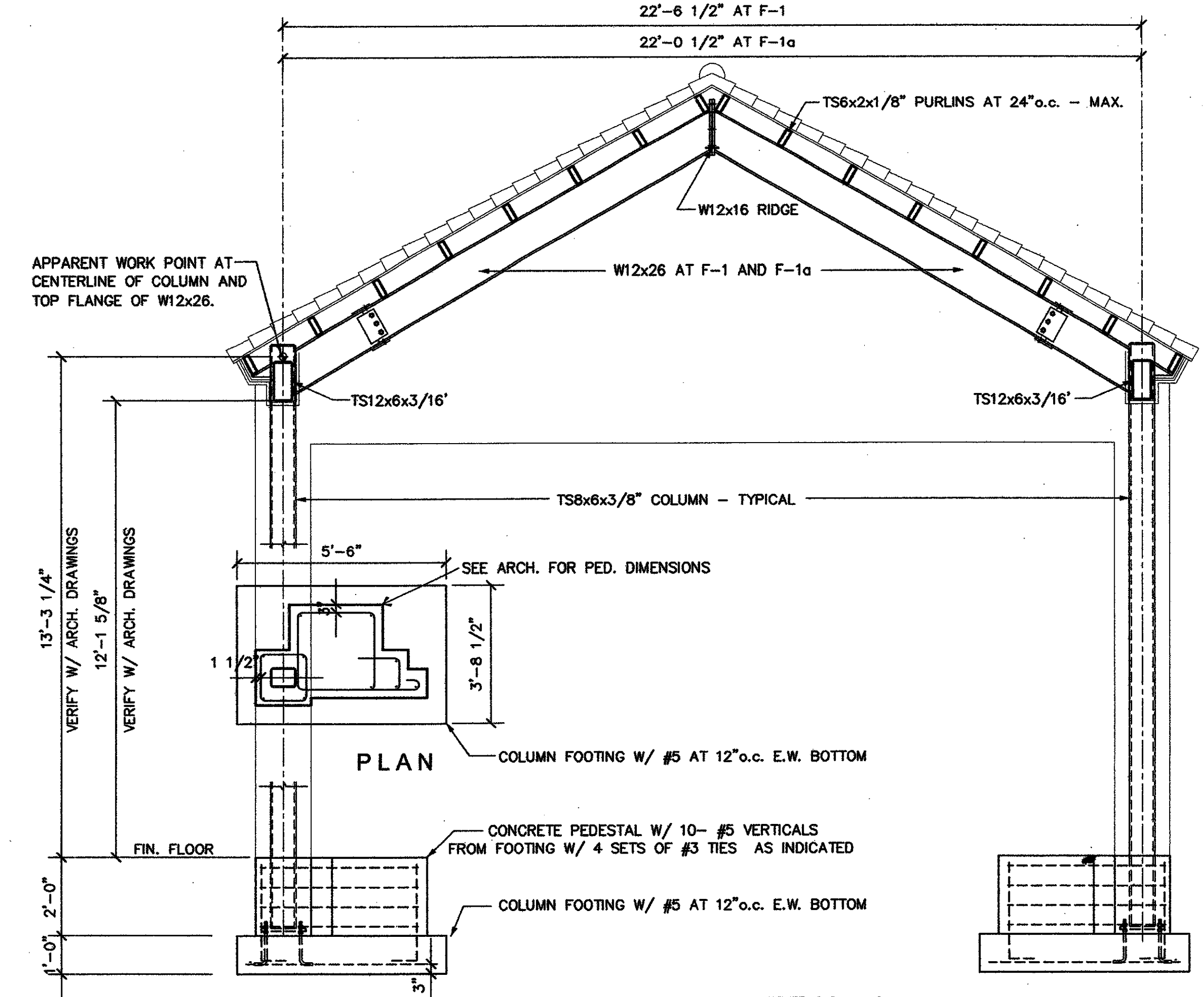
BASE PLATE / FOOTING DETAIL
1/2" = 1'-0"



BEAM TO BEAM CONNECTION
1" = 1'-0"

RIDGE TO FRAME CONNECTION

BUS DROP-OFF CANOPY FRAME CONNECTIONS
1" = 1'-0"



ALTERNATE No. 1
BUS DROP-OFF CANOPY SECTION
3/8" = 1'-0"

John E. Campo, Architect
105 Ducahey Dr.
Destrehan, LA 70047
(504) 764-8959

Campo Design
ARCHITECTS

MSGR. JOHN N. PHUC
EDUCATION CENTER - PHASE 1
13396 RIVER ROAD, DESTREHAN, LOUISIANA
ST. CHARLES BORROMEO CATHOLIC CHURCH PARISH

S1.3

3 OF 8 SHEETS
DATE:
SEPT. 11, 2009
CD - 1705