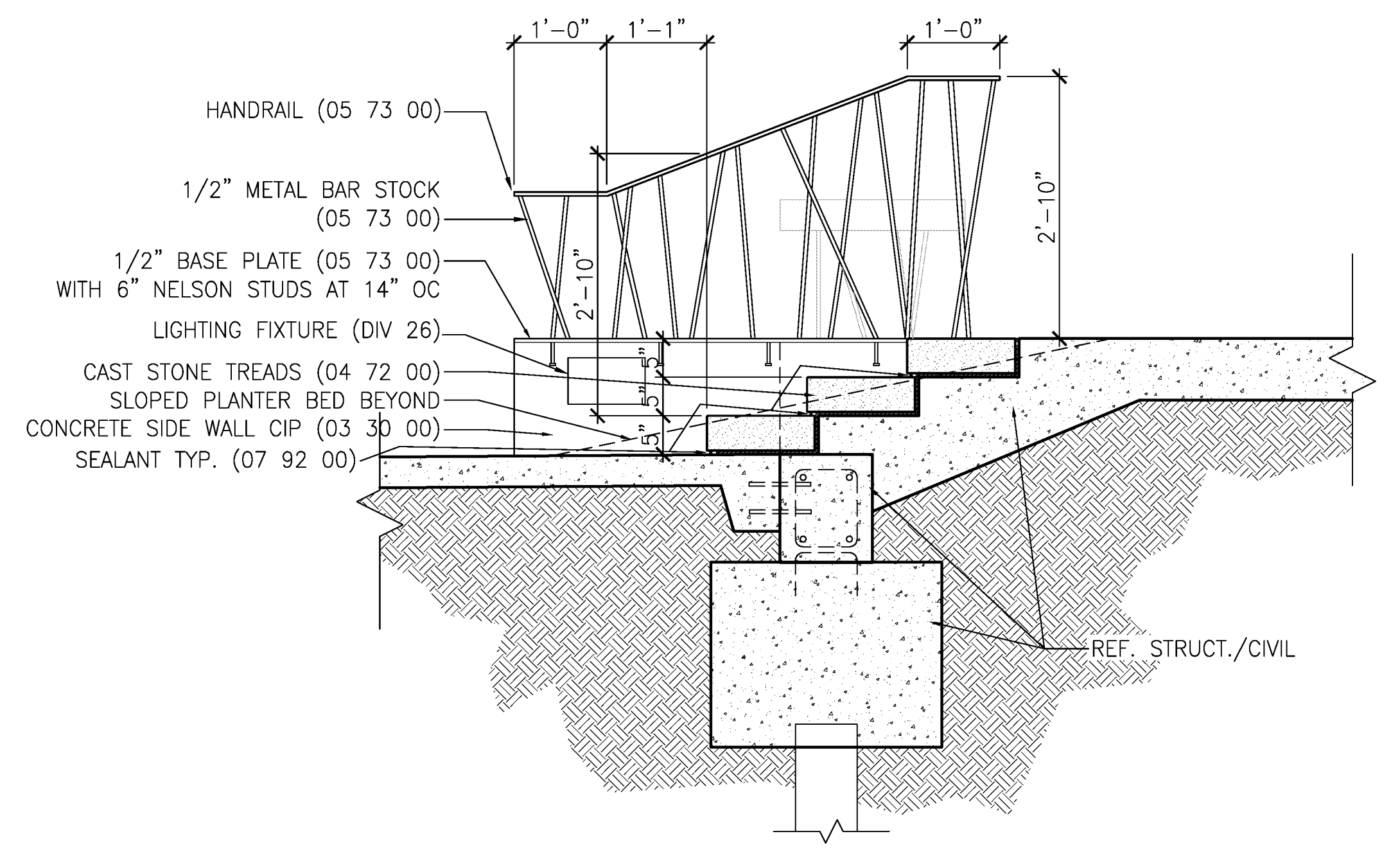
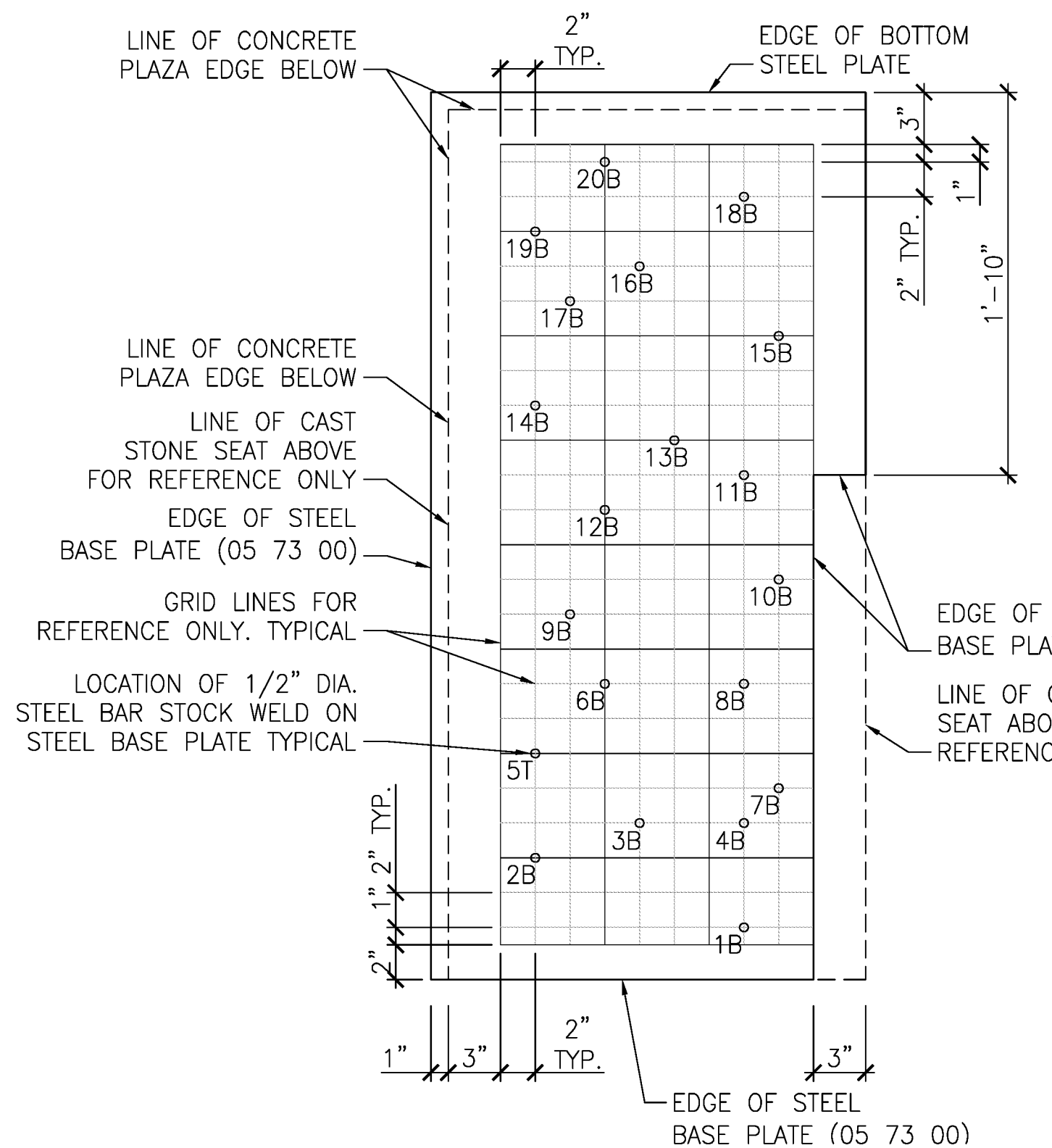


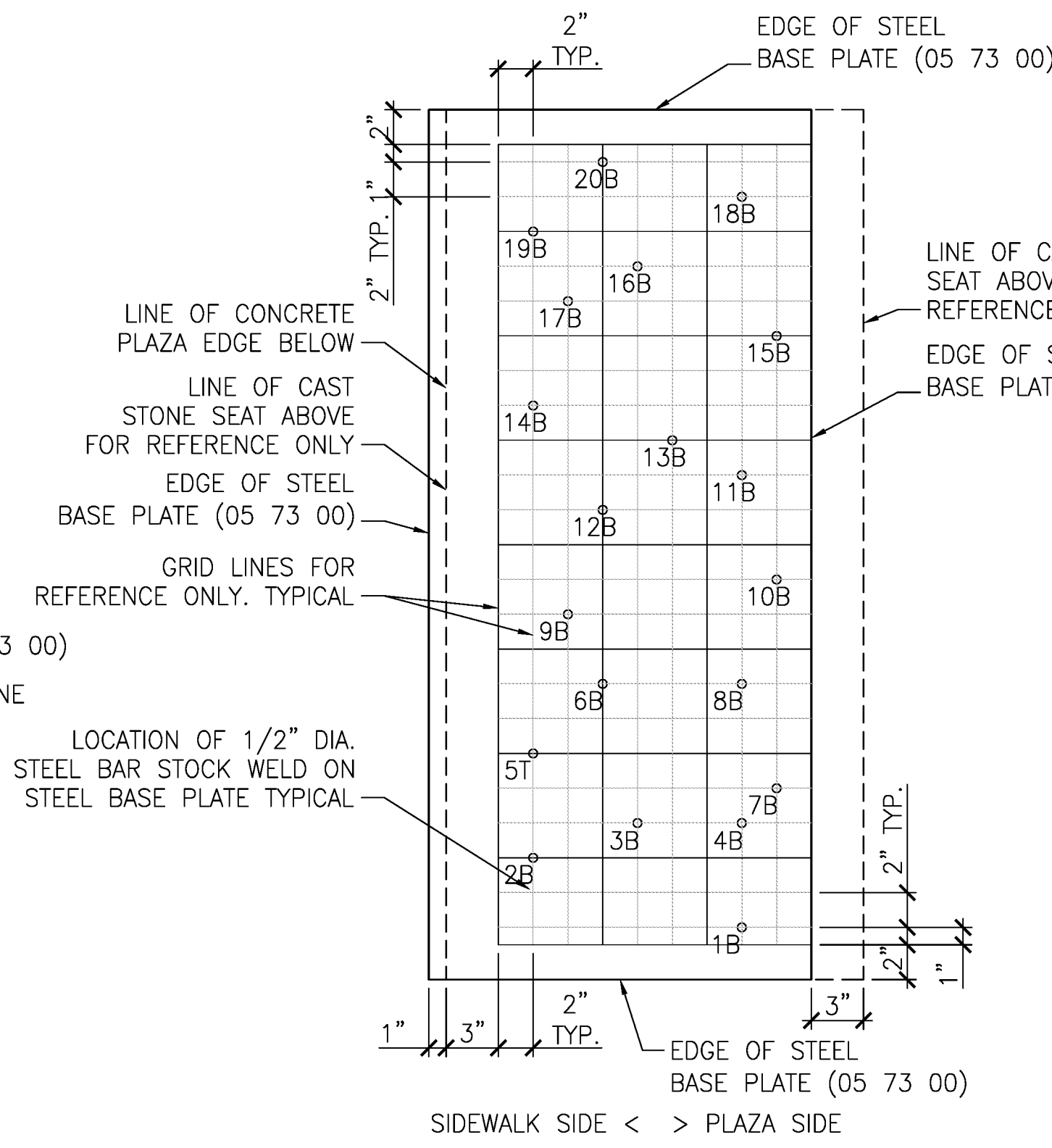
SECTION THRU PLAZA BENCH
 1.14, 1.16 | 1.16 AT ELYSIAN FIELDS AVE. 3/4" = 1'-0"



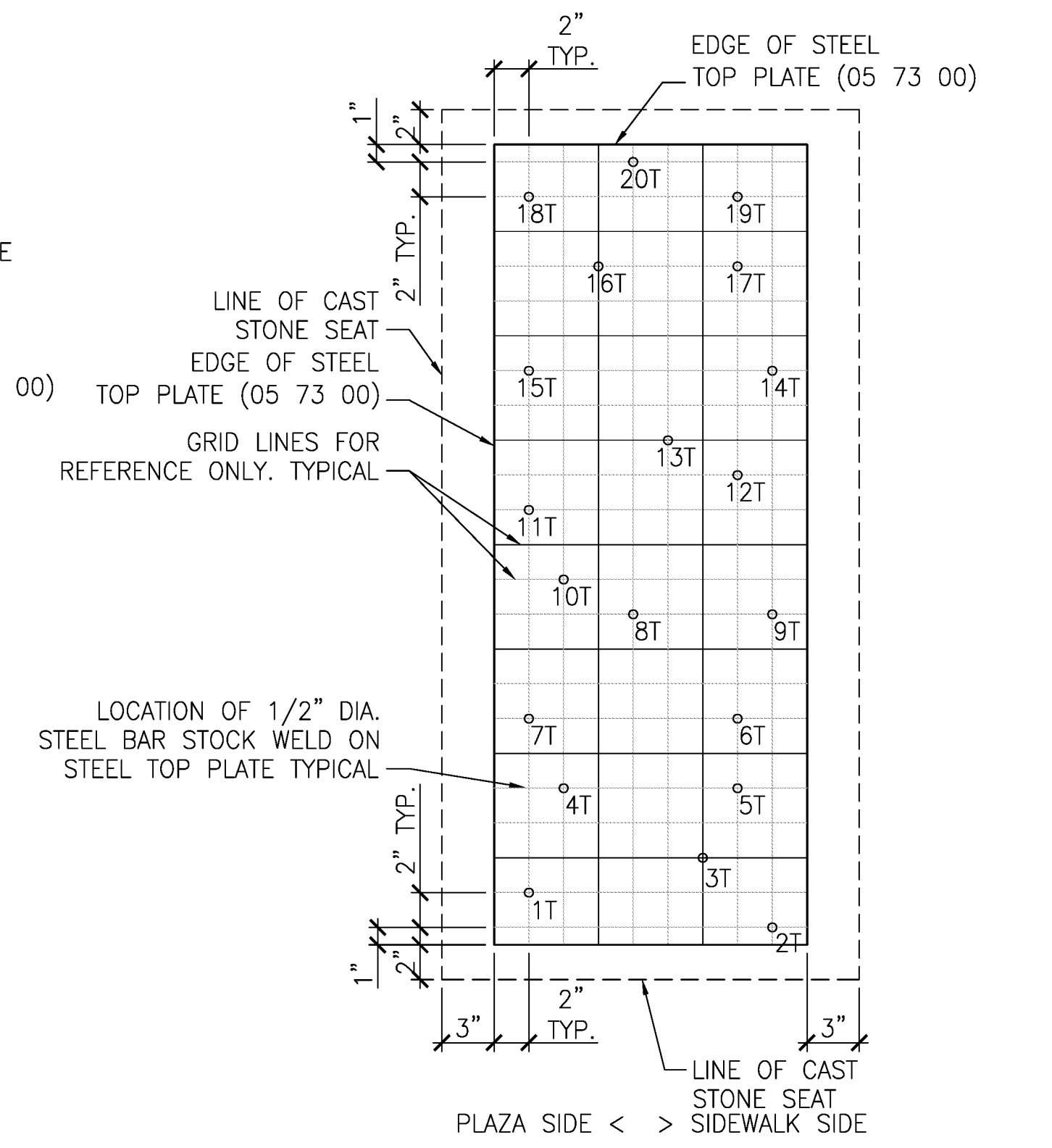
SECTION THRU PLAZA STAIR
 1.14 | 1.16 AT ELYSIAN FIELDS AVE. 3/4" = 1'-0"



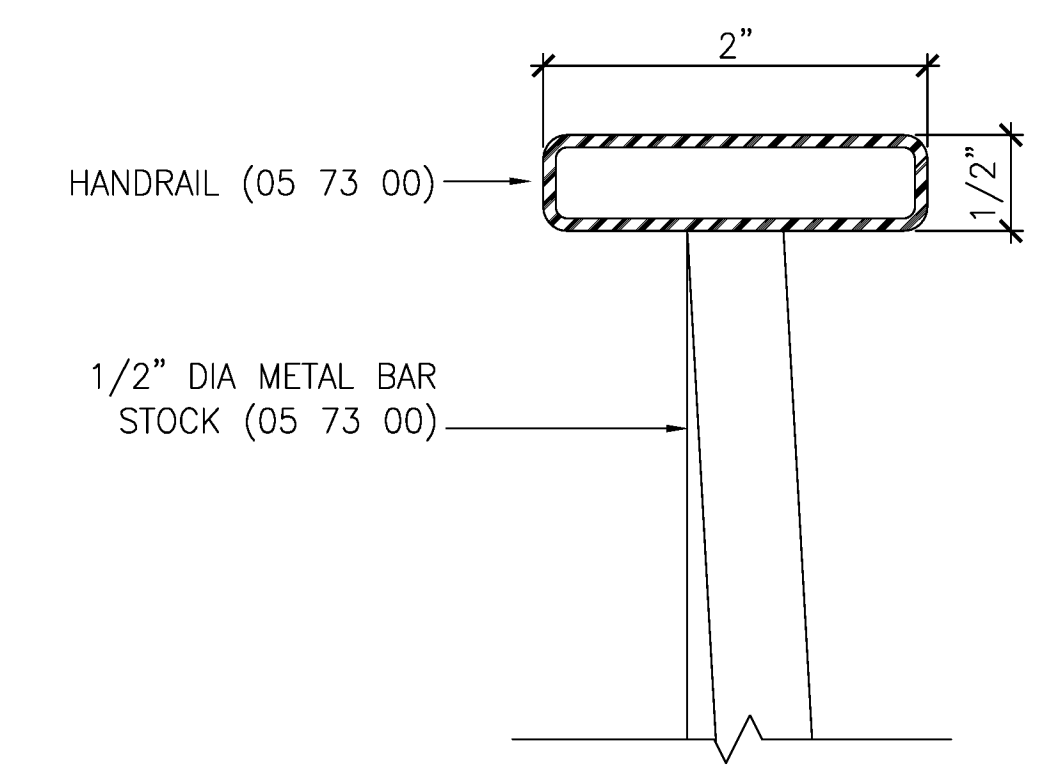
PLAN VIEW OF CORNER BASE PLATE 2
 1.16 AT PLAZA PERIMETER BENCH 1-1/2" = 1'-0"



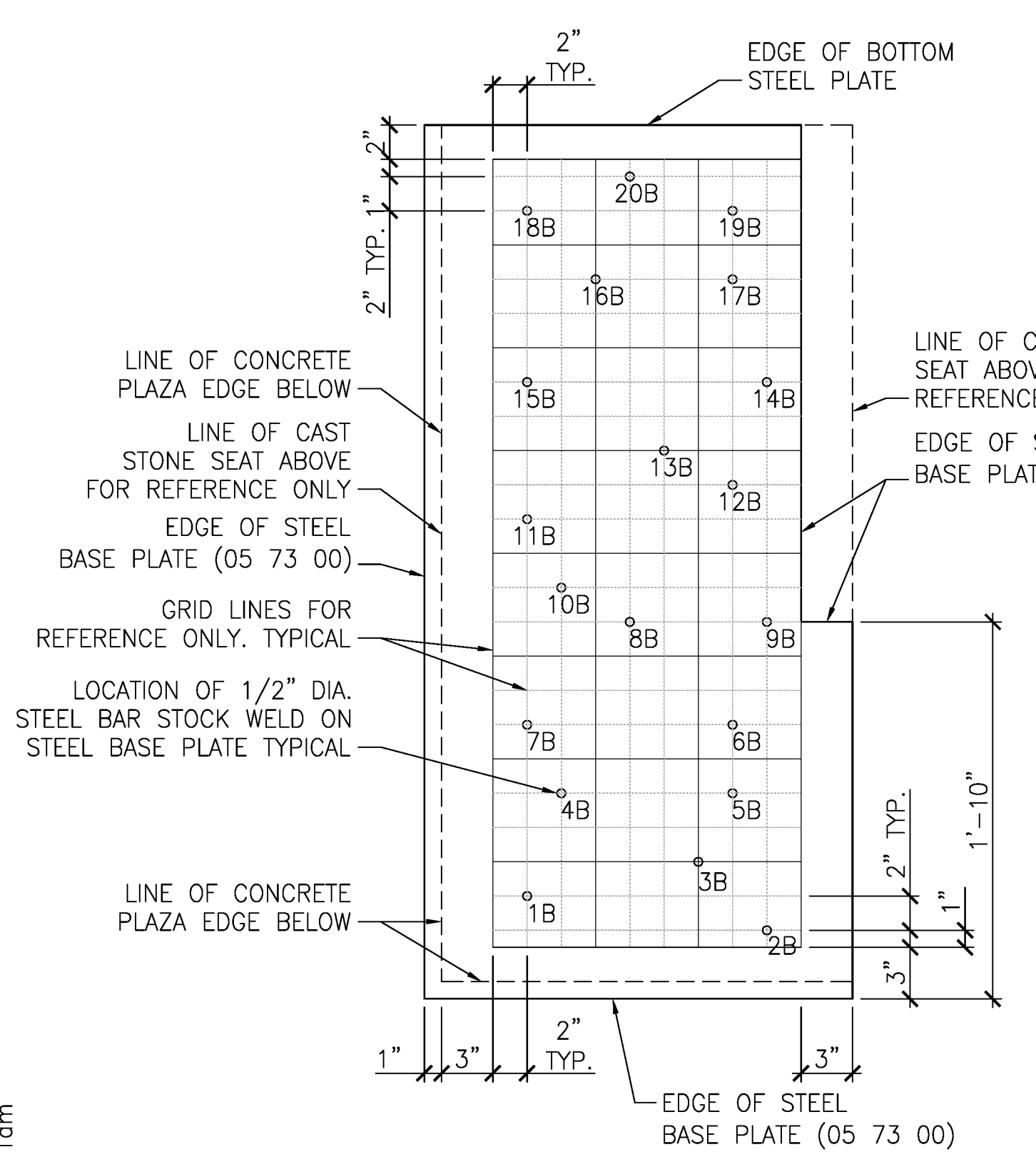
PLAN VIEW OF BASE PLATE 2
 1.16 AT PLAZA PERIMETER BENCH 1-1/2" = 1'-0"



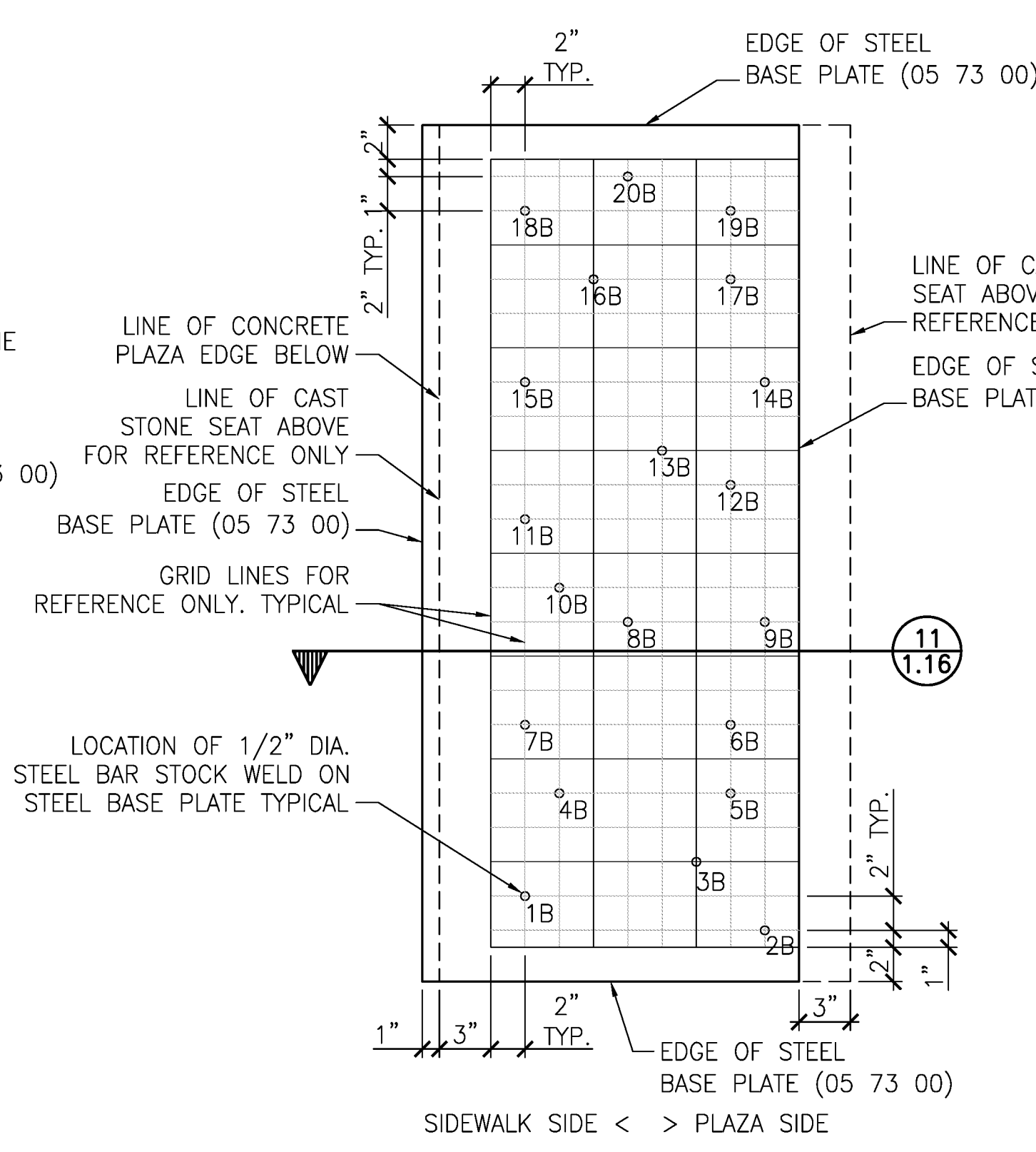
PLAN VIEW OF TOP PLATE 2
 1.16 AT PLAZA PERIMETER BENCH 1-1/2" = 1'-0"



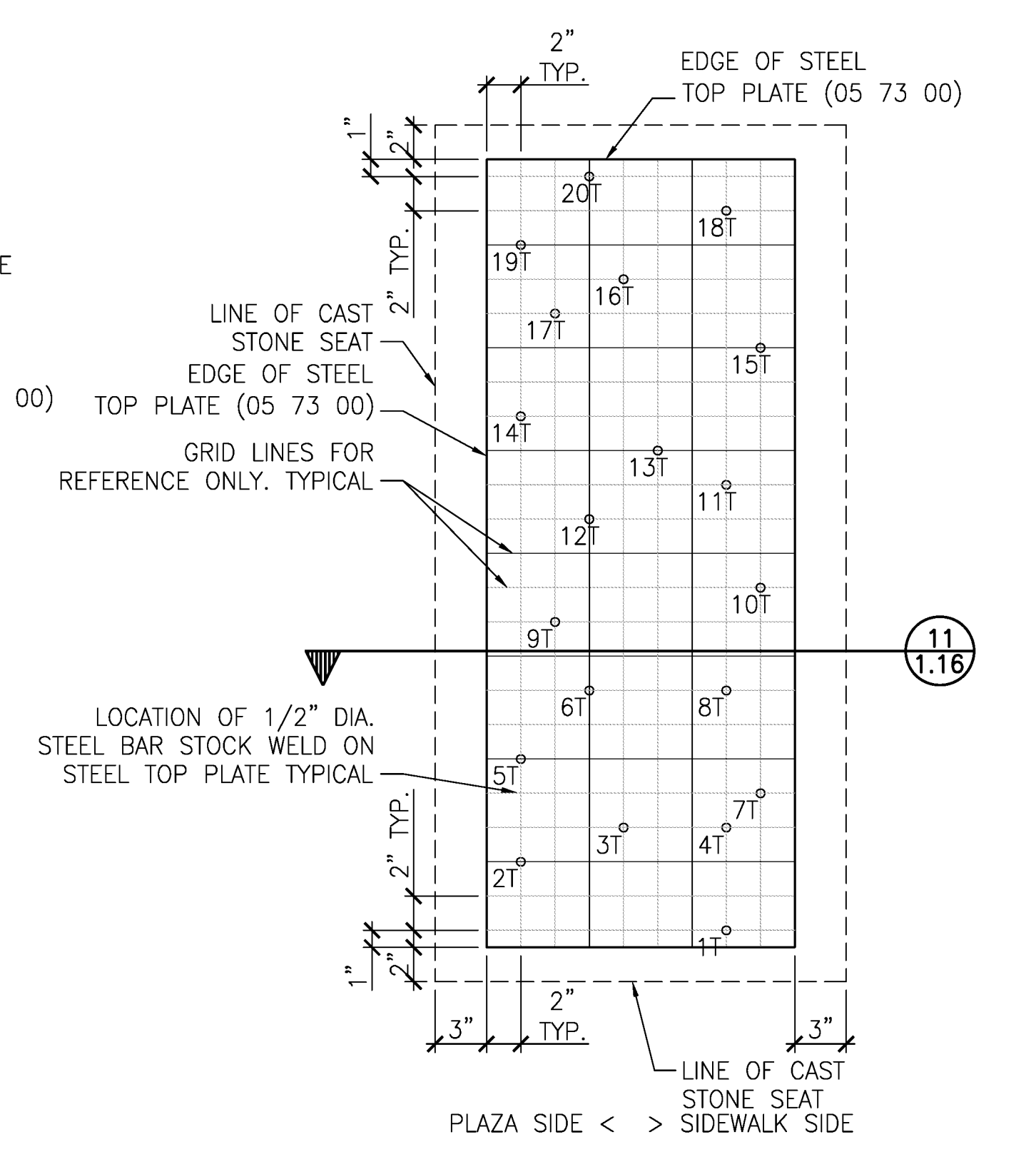
SECTION THRU HANDRAIL
 1.16 | 1.16 AT PLAZA PERIMETER STAIR 1'-0" = 1'-0"



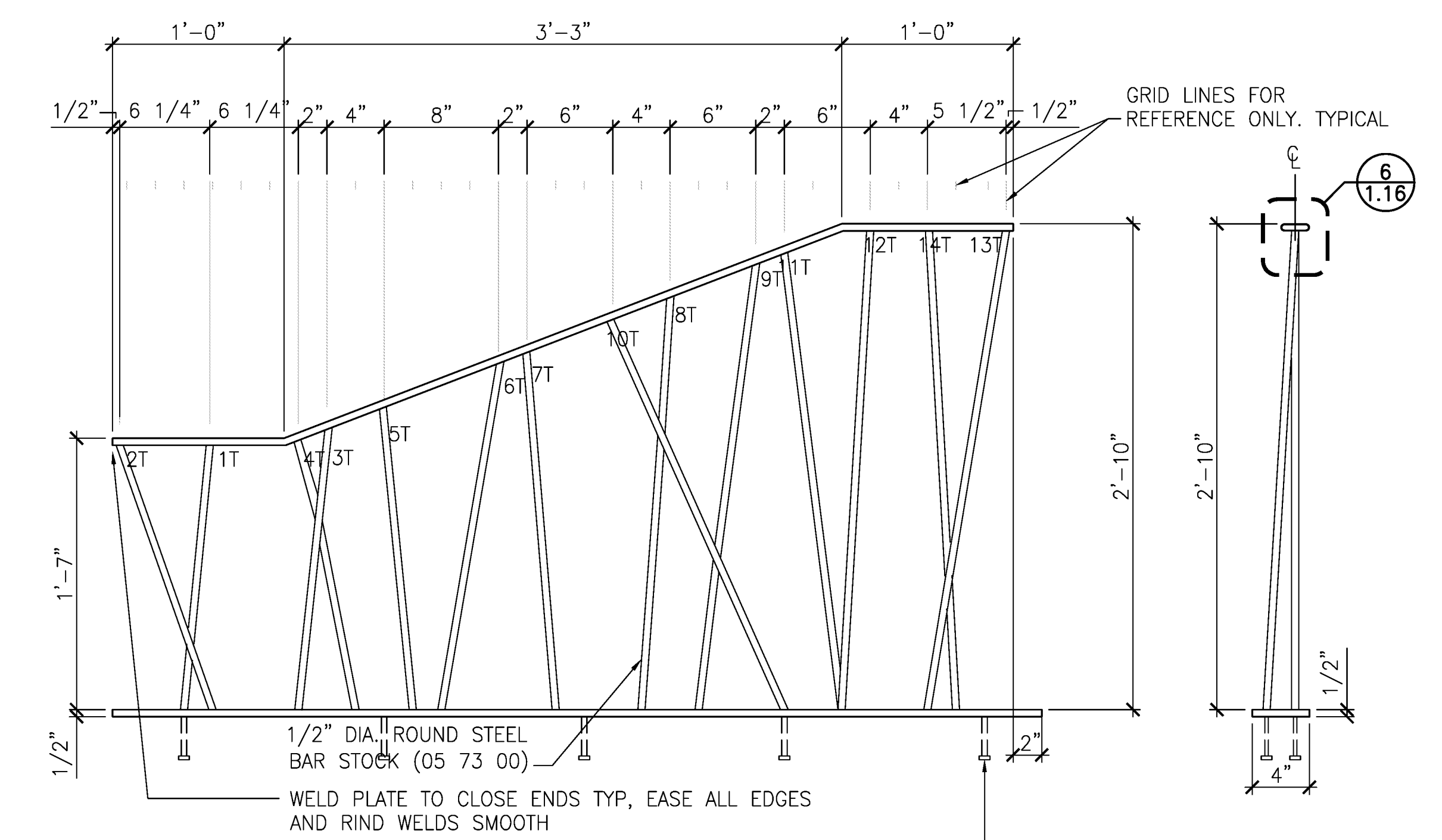
PLAN VIEW OF CORNER BASE PLATE 1
 1.16 AT PLAZA PERIMETER BENCH 1-1/2" = 1'-0"



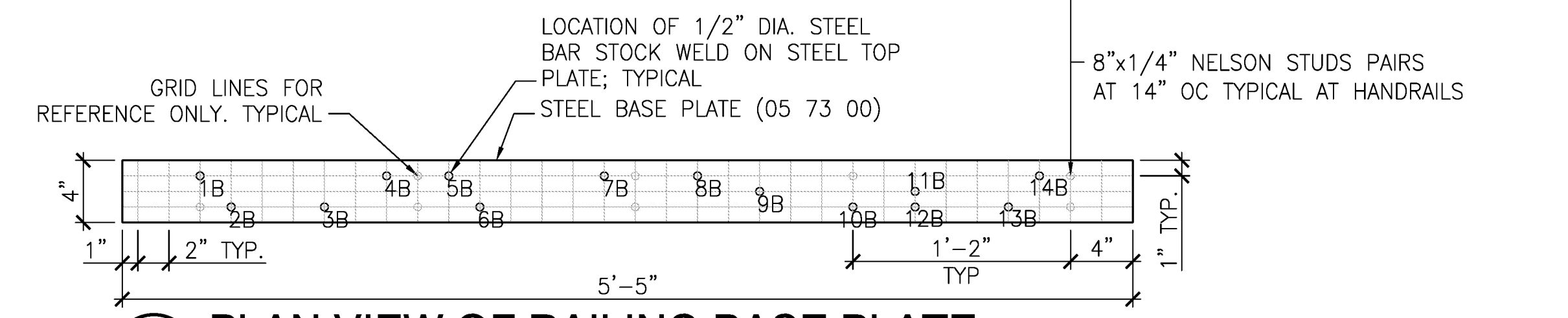
PLAN VIEW OF BASE PLATE 1
 1.16 AT PLAZA PERIMETER BENCH 1-1/2" = 1'-0"



PLAN VIEW OF TOP PLATE 1
 1.16 AT PLAZA PERIMETER BENCH 1-1/2" = 1'-0"



ELEVATION OF RAILING
 1.16 AT PLAZA STAIR 1-1/2" = 1'-0"



PLAN VIEW OF RAILING BASE PLATE
 1.16 AT PLAZA STAIR RAILING 1-1/2" = 1'-0"

NOTE:
 LOCATIONS FOR BAR WELDS ON BOTTOM ("B") AND TOP ("T") STEEL PLATES AND RAILINGS ARE INDICATED. BARS ARE TO SPAN BETWEEN TOP AND BOTTOM PLATES AND MATCH THE NUMERICAL IDENTIFICATION TAGS.
 EXTERIOR BAR, RAIL, AND PLATE FABRICATIONS TO BE HOT DIPPED GALVANIZED AFTER ASSEMBLY AND PRIOR TO INSTALLATION

P:\2009_Proj\09007_TOTL Church Drawings\01Site\0116_SiteDetails.dwg
 07 Jul 10 - 11:01am