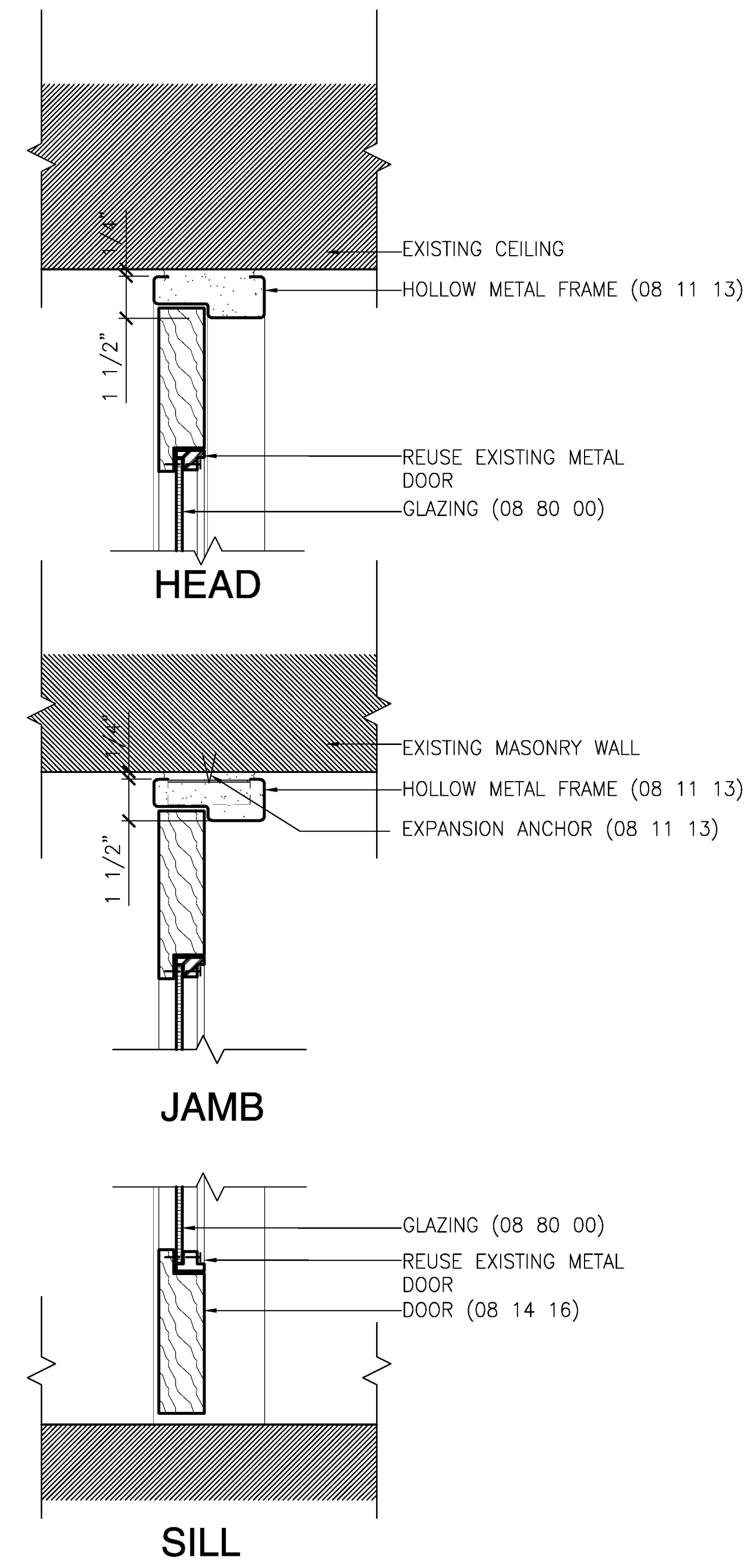
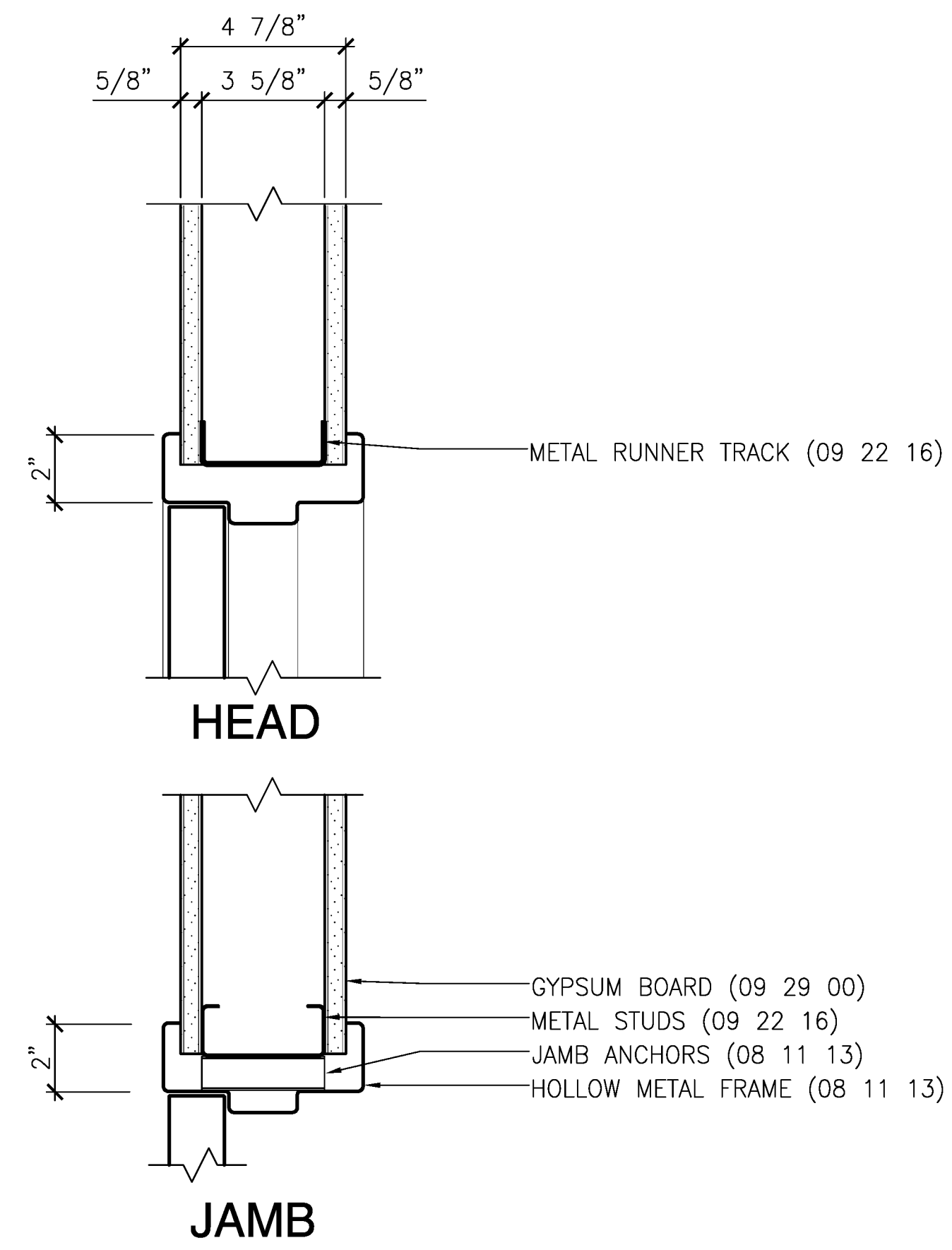


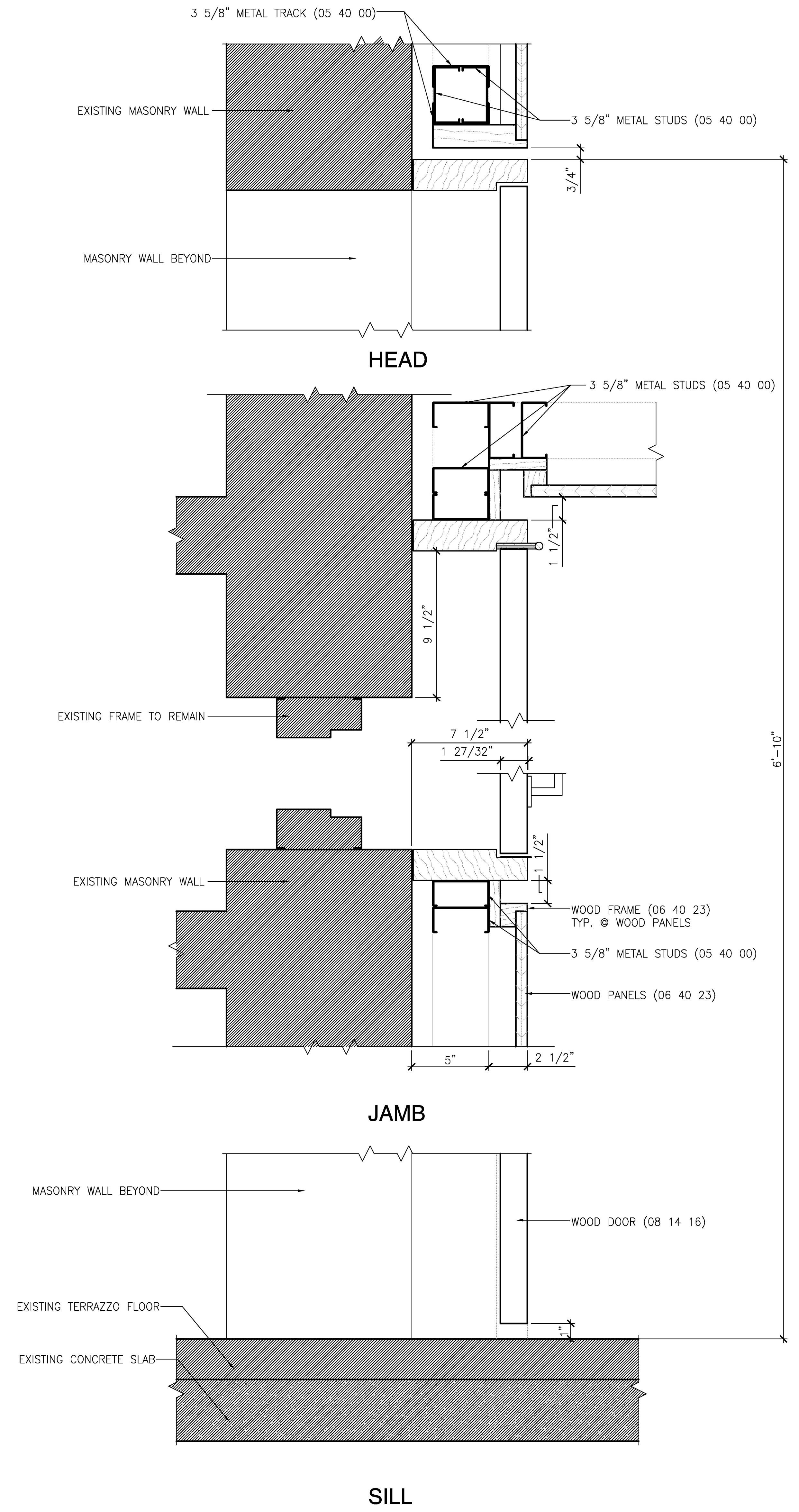
P:\2009_P\Projects\09007_T01L Church\Drawings\03Schedules\0303_DoorFrameDetails.dwg
07 Jul 10 - 11:02am



7 DOOR FRAME DETAIL
3"=1'-0"



6 DOOR FRAME DETAIL
3"=1'-0"



4 DOOR FRAME DETAIL
3"=1'-0"

