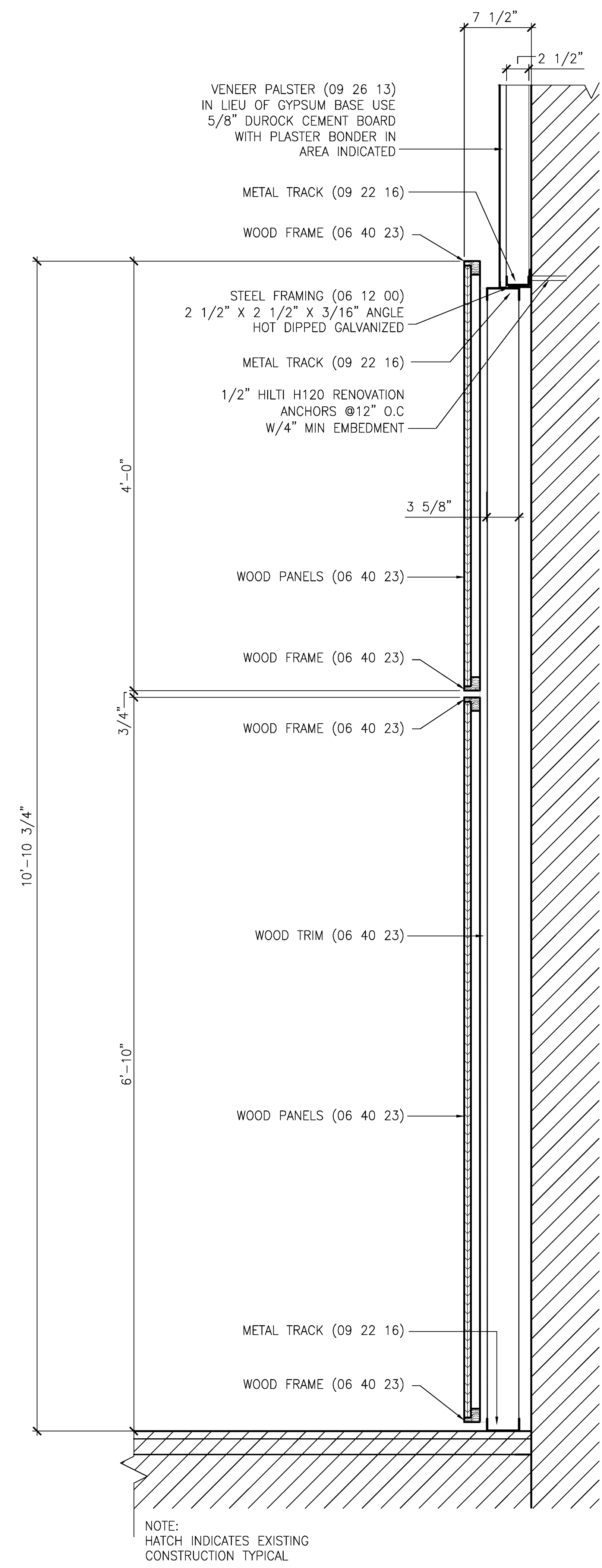
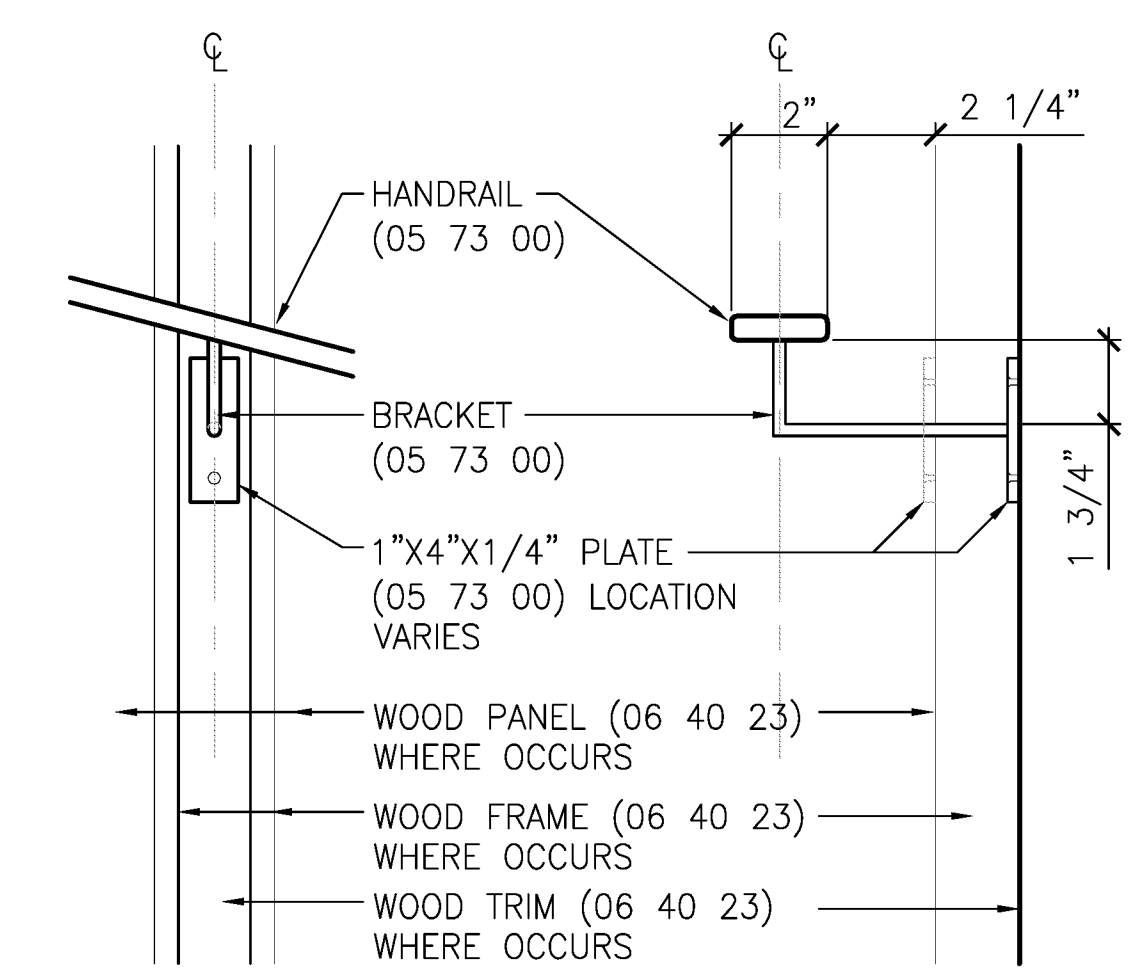


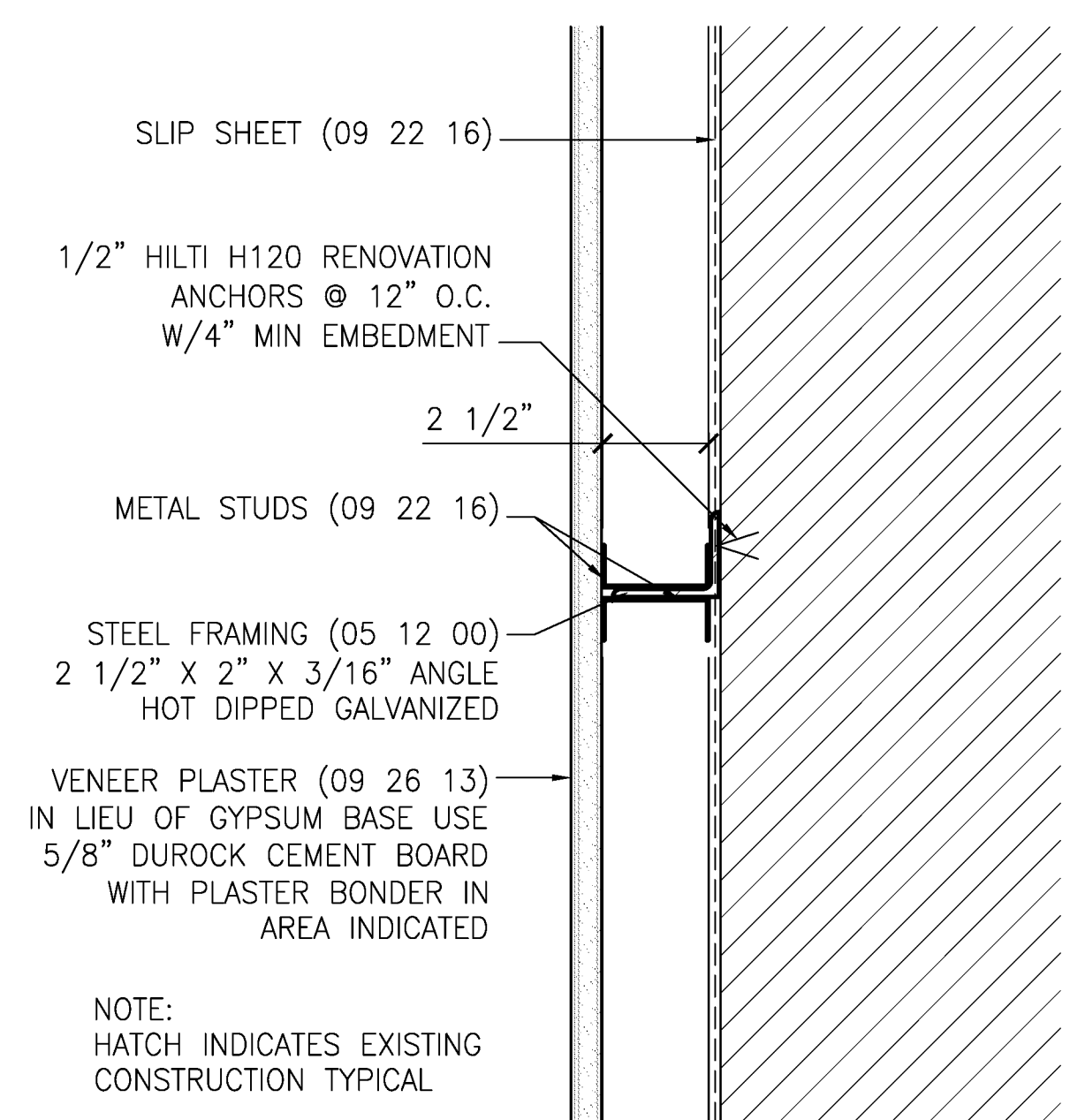
P:\2009_P\Projects\09007_TOTL Church\Drawings\0Interior\0803_Int_Details.dwg
07 Jul 10 - 11:02am



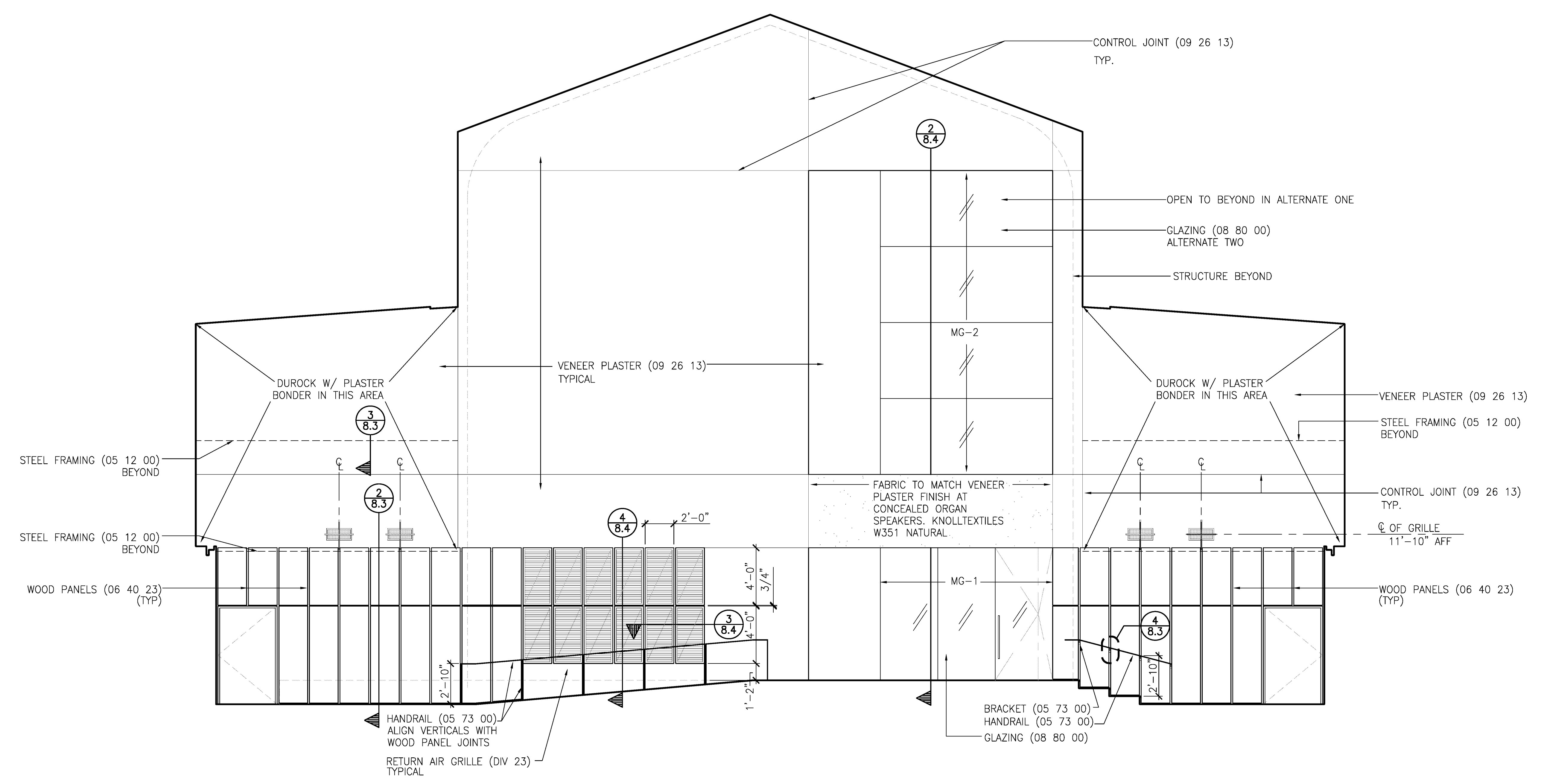
2 SECTION THRU WOOD WALL
8.3 | 8.3 AT SANCTUARY WALL 1 1/2" = 1'-0"



4 ELEVATION
8.3 | 8.3 OF BRACKET AT HANDRAIL 3" = 1'-0"



3 SECTION AT STEEL FRAMING
8.3 | 8.3 3" = 1'-0"



1 EAST ELEVATION
2.1 | 8.3 OF SANCTUARY WALL ALTERNATE ONE 1/4" = 1'-0"

CLARIFICATION OF GLASS TYPES APPEARING ON THE DRAWINGS SECTION 08 80 00	
MG-1	LOW IRON CLEAR GLASS
MG-2	LOW IRON CLEAR TEMPERED GLASS

