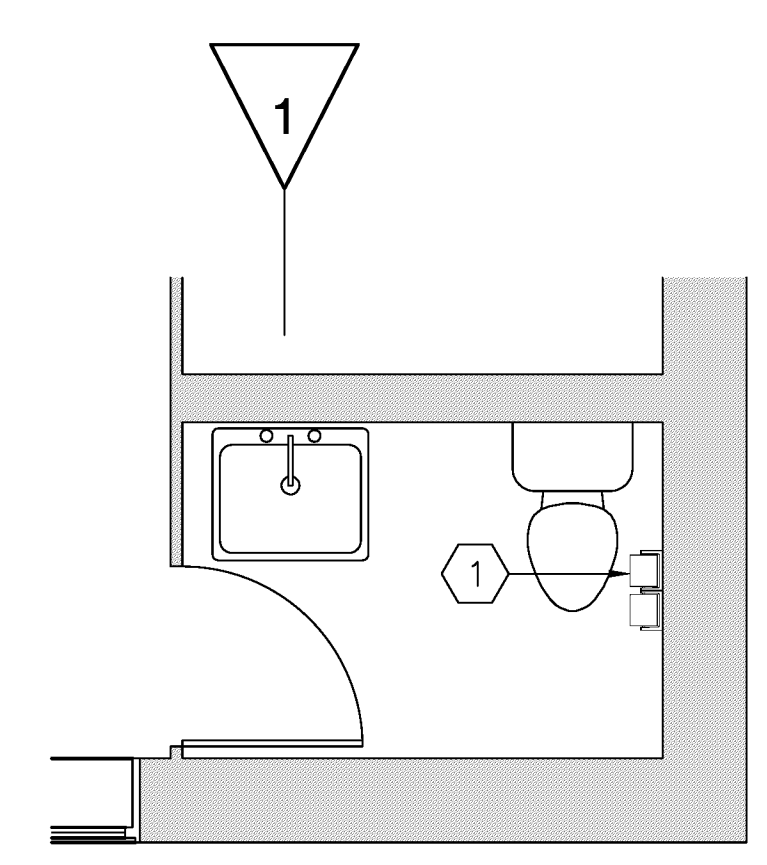
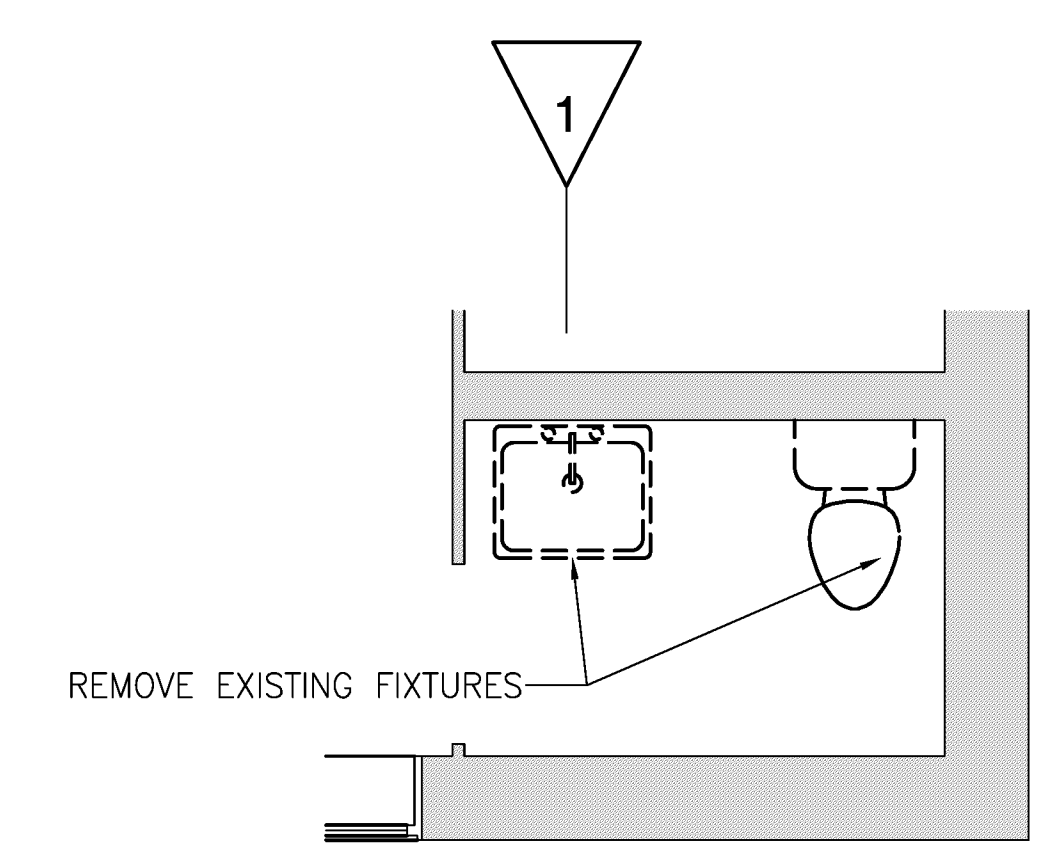


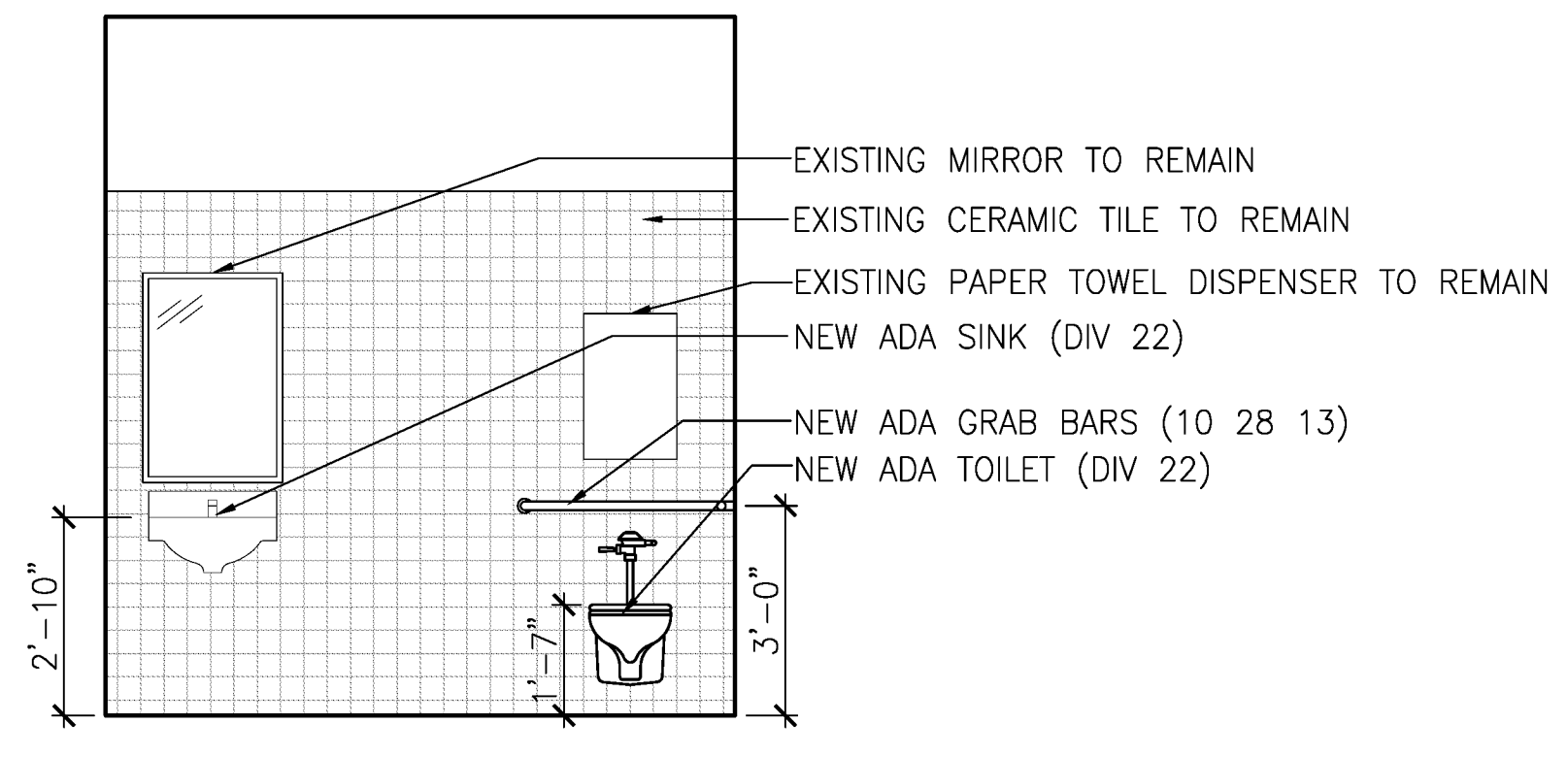
TOILET ROOM ACCESSORY SCHEDULE (10801)				
REF. NO.	ITEM DESCRIPTION	MANUFACTURER MODEL NUMBER		MOUNTING HEIGHT
1	SURFACE-MOUNTED MULTI-ROLL TOILET TISSUE DISPENSER	BOBRICK B-274	BRADLEY 5241	19 3/4" TO TOP OF DISPENSER
2	H.C. GRAB BARS	BOBRICK B-5806 SERIES	BRADLEY 832 SERIES	36" AFF TO CENTER LINE



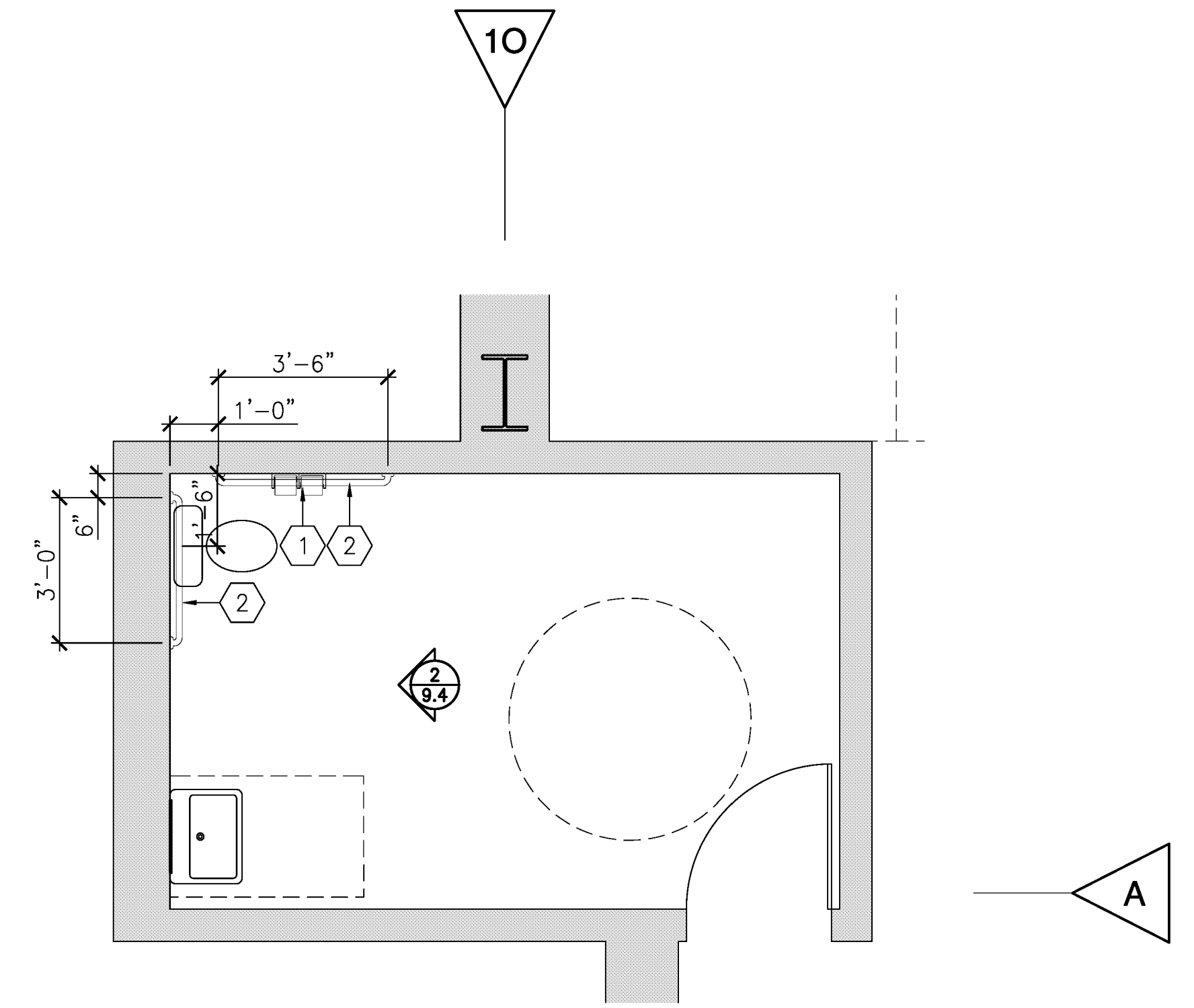
5 FLOOR PLAN
2.1 | 9.4 TOILET ROOM 117 3/8" = 1'-0"



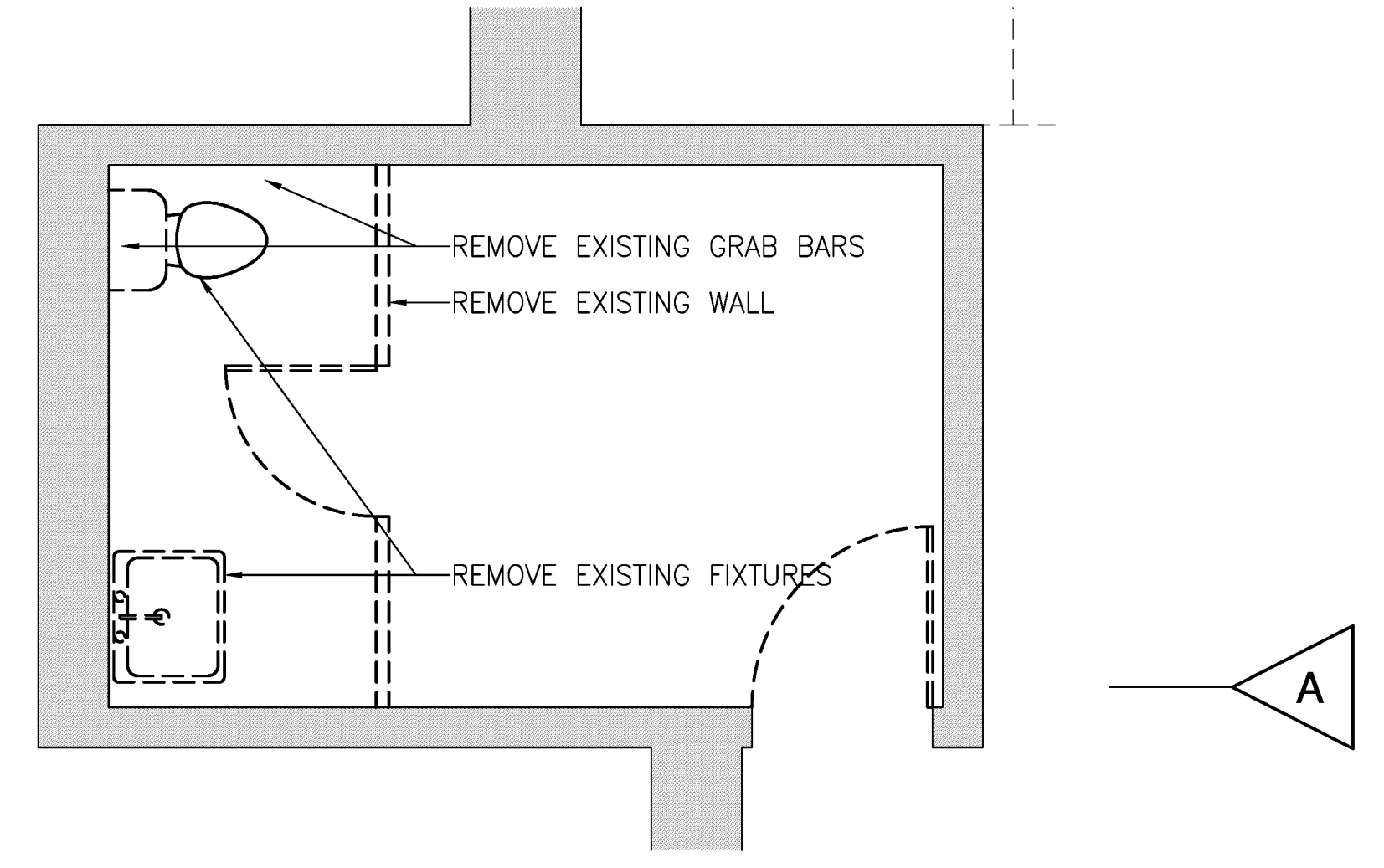
3 FLOOR PLAN - DEMOLITION
1.20 | 9.4 TOILET ROOM 117 3/8" = 1'-0"



2 WEST ELEVATION
9.4 | 9.4 TOILET ROOM 118 3/8" = 1'-0"



4 FLOOR PLAN
2.1 | 9.4 TOILET ROOM 118 3/8" = 1'-0"



1 FLOOR PLAN - DEMOLITION
1.20 | 9.4 TOILET ROOM 118 3/8" = 1'-0"

