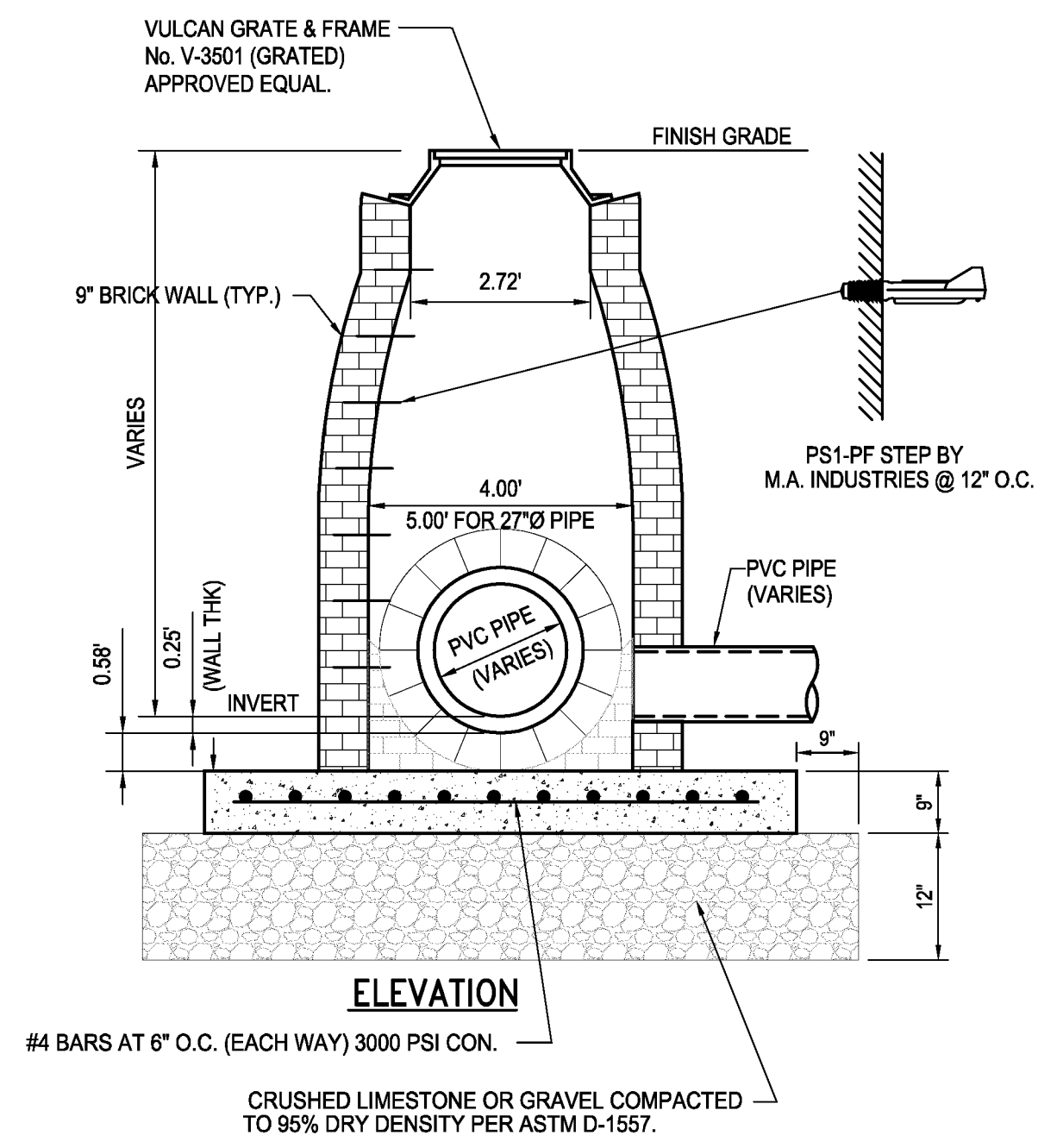
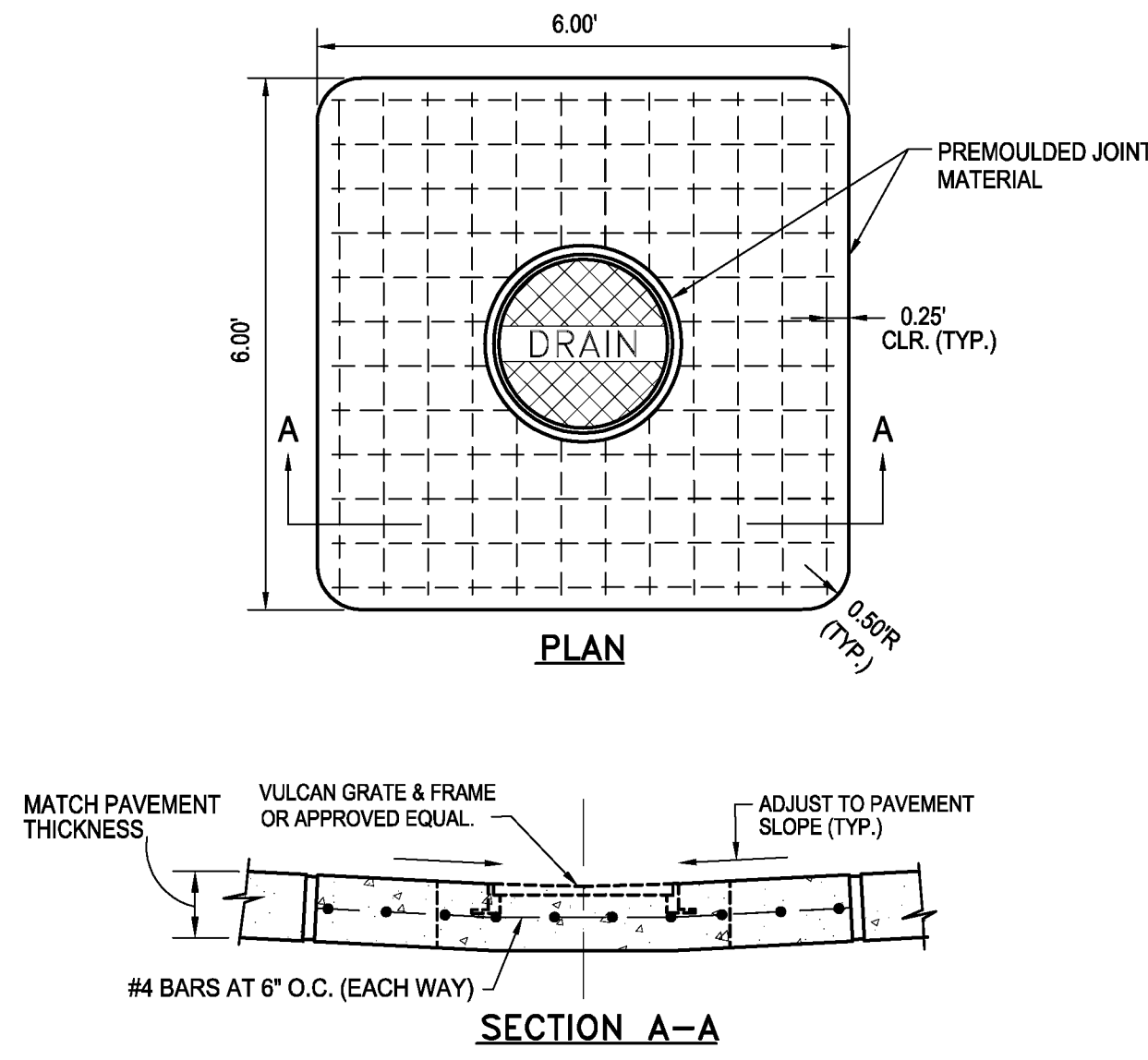


1 STANDARD DRAIN MANHOLE
C4.20 N.T.S.



2 CONCRETE ISOLATION PAD FOR DRAIN MANHOLE
C4.20 N.T.S.



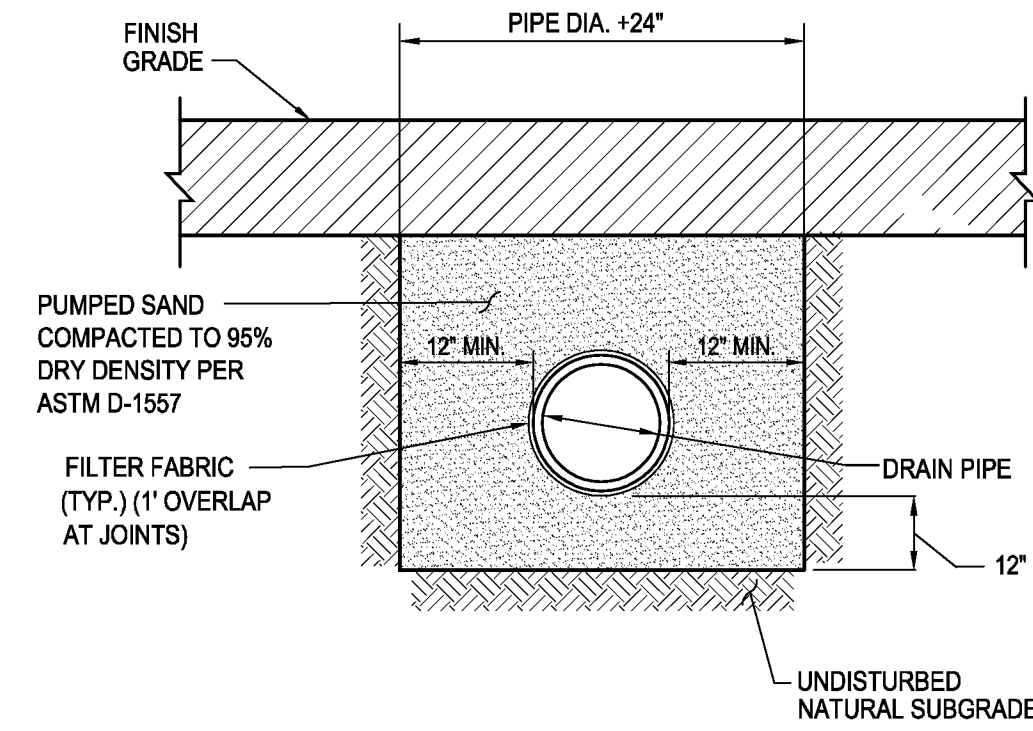
3 24"x24" CONCRETE CATCH BASIN
C4.20 N.T.S.

CATCH BASIN NOTES:

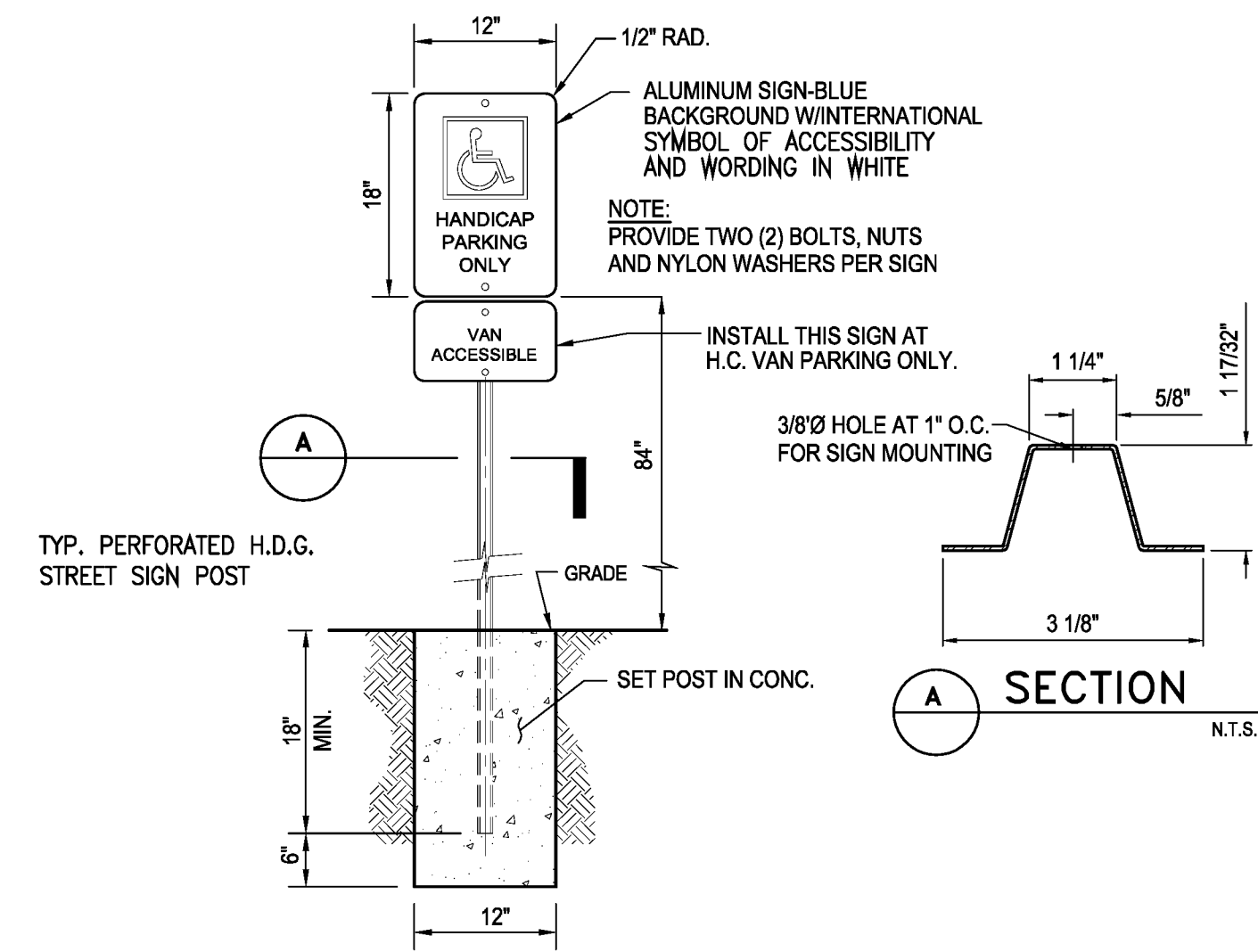
1. USE MINIMUM OF 12" LIMESTONE BASE COMPACTED TO 95% OF MAX. DRY DENSITY @ OPTIMUM MOISTURE PER ASTM D-1557
2. CASTING SHALL BE V-5726-80 FRAME & GRATE (ADA COMPLIANT) CAST IRON (#20-44 LOADING DESIGN). MANUFACTURER: EAST JORDAN IRON WORKS, INC. OR APPROVED EQUAL.
3. SOME DIMENSION VARIATION WILL BE ALLOWED TO MEET MANUFACTURER'S STANDARDS.

MATERIALS

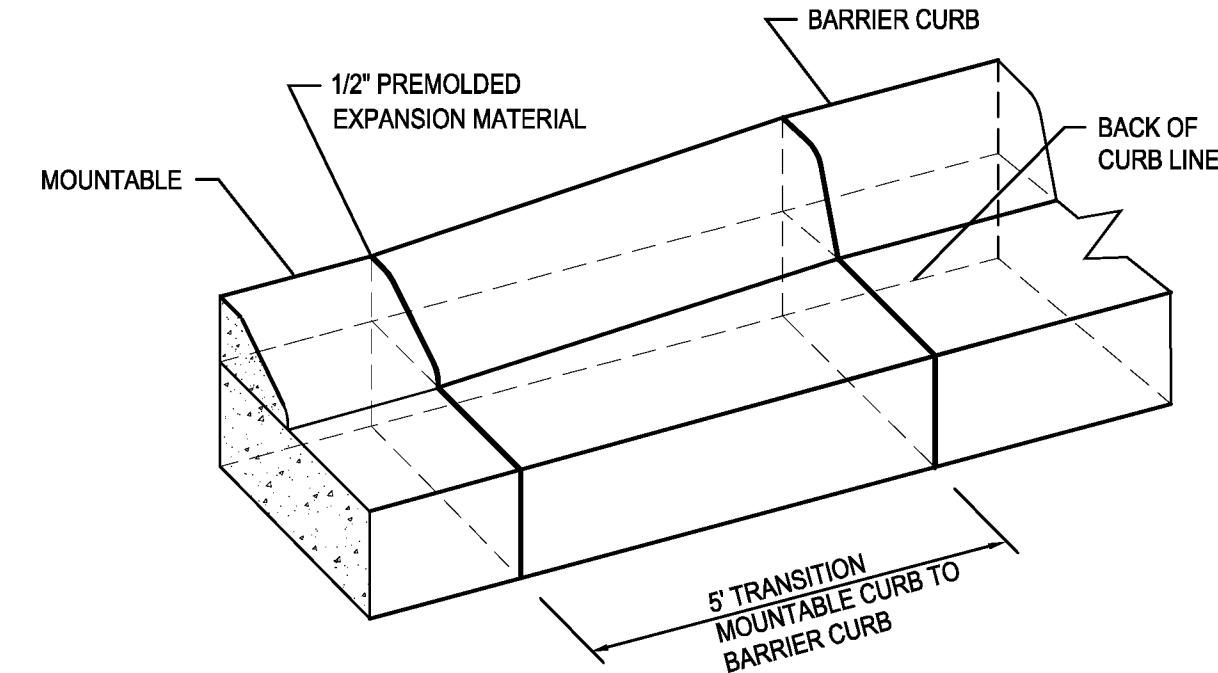
1. CONCRETE: 4,000 PSI IN 28 DAYS.
2. REINFORCING STEEL PER ASTM A-615, GRADE 60 REINFORCING TO MEET AASHTO HS 20-44 LOADING.
3. PRECAST STRUCTURE TO MEET ASTM C-857-02.
4. JOINT SEALANT: RAM-NEK GASKET MATERIAL.



4 TYPICAL PVC DRAIN PIPE TRENCH
C4.20 N.T.S.



5 HANDICAP PARKING SIGN
C4.20 N.T.S.



6 MOUNTABLE-BARRIER CURB TRANSITION
C4.20 N.T.S.