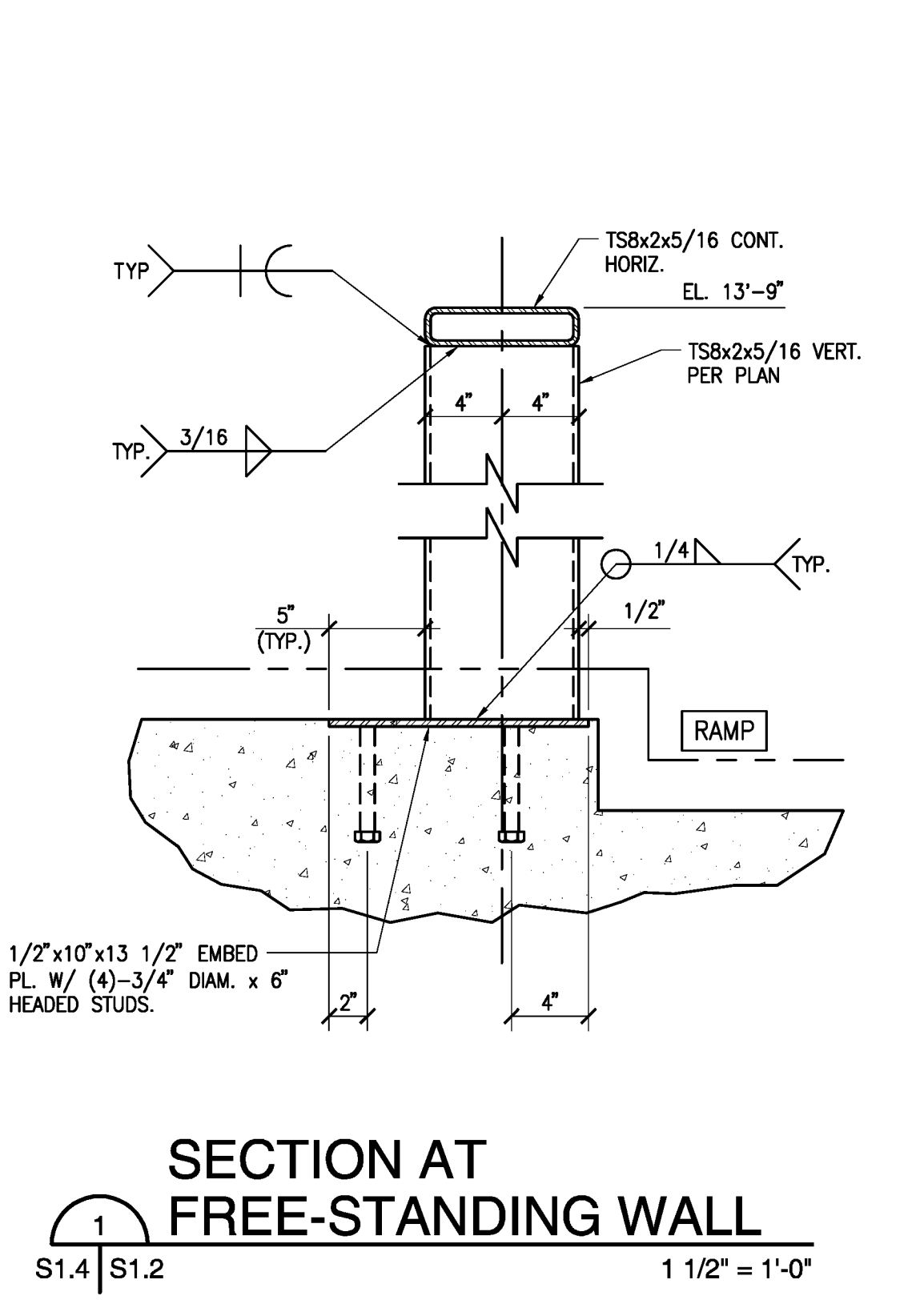
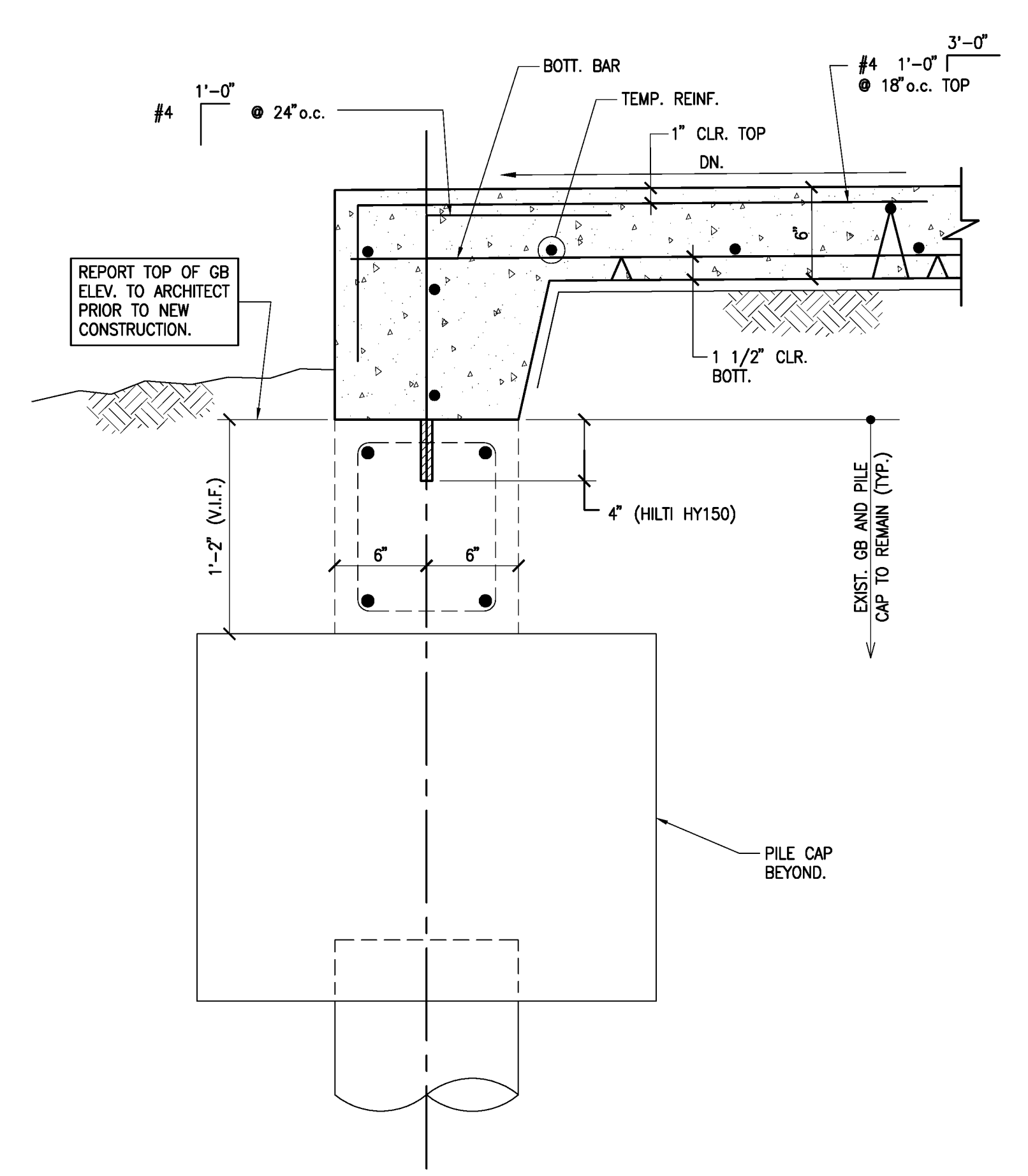


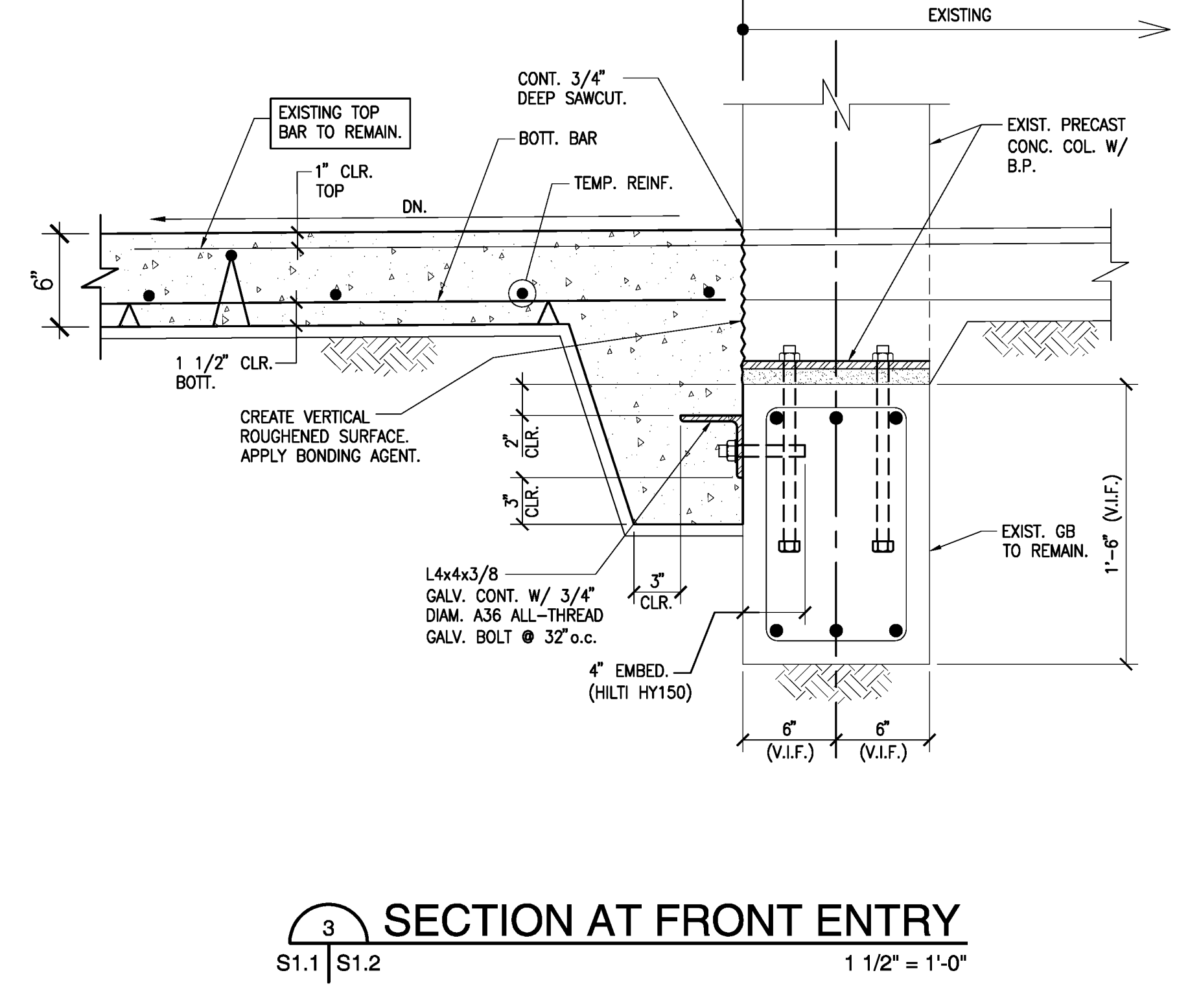
E:\Struct\5620_Transfiguration of the Lord\Struct\5620 re-bid(6-7-10current)\5620_S1.2.dwg
07 Jul 10 - 8:34pm



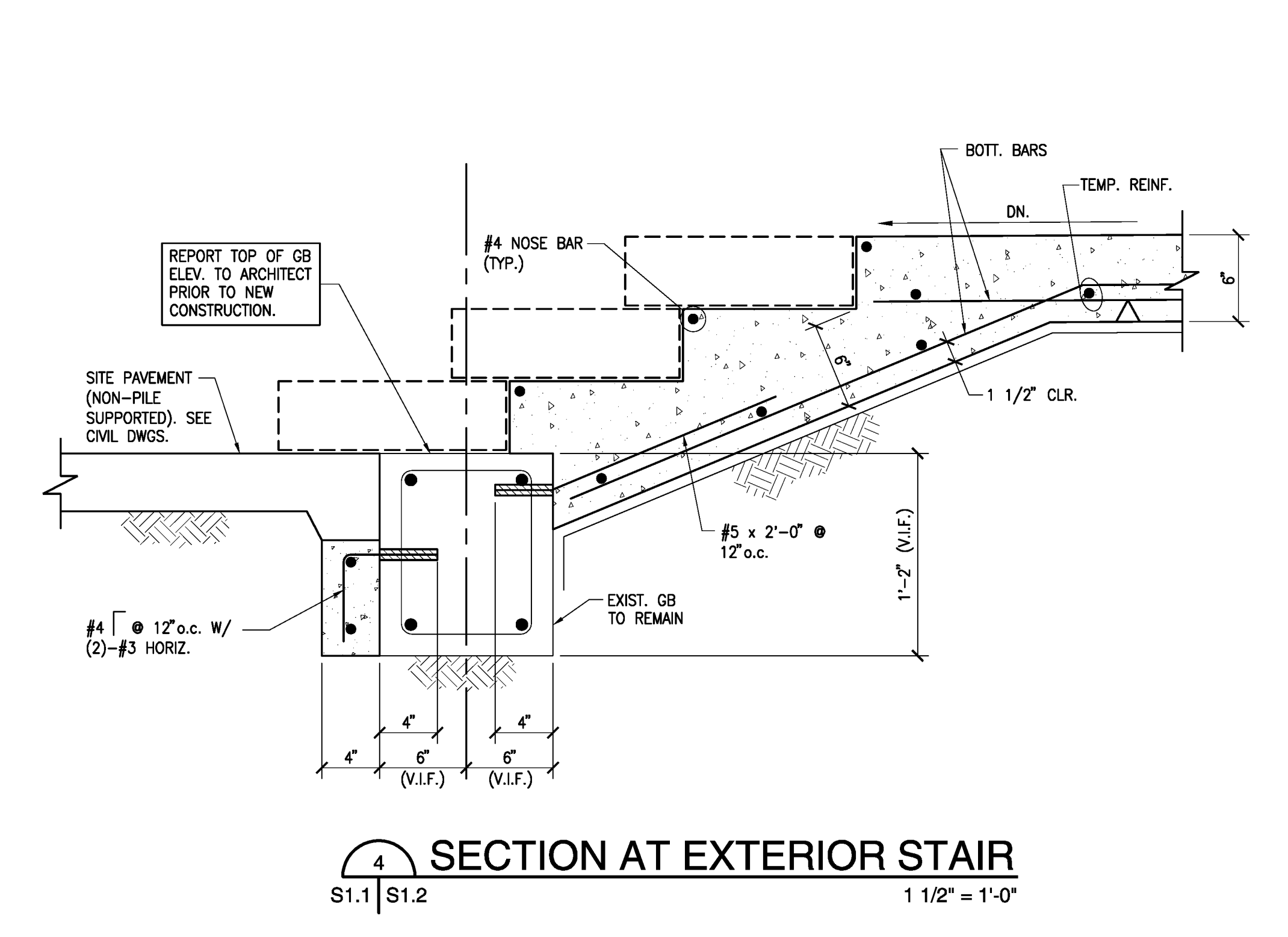
SECTION AT FREE-STANDING WALL
S1.4 | S1.2 1 1/2" = 1'-0"



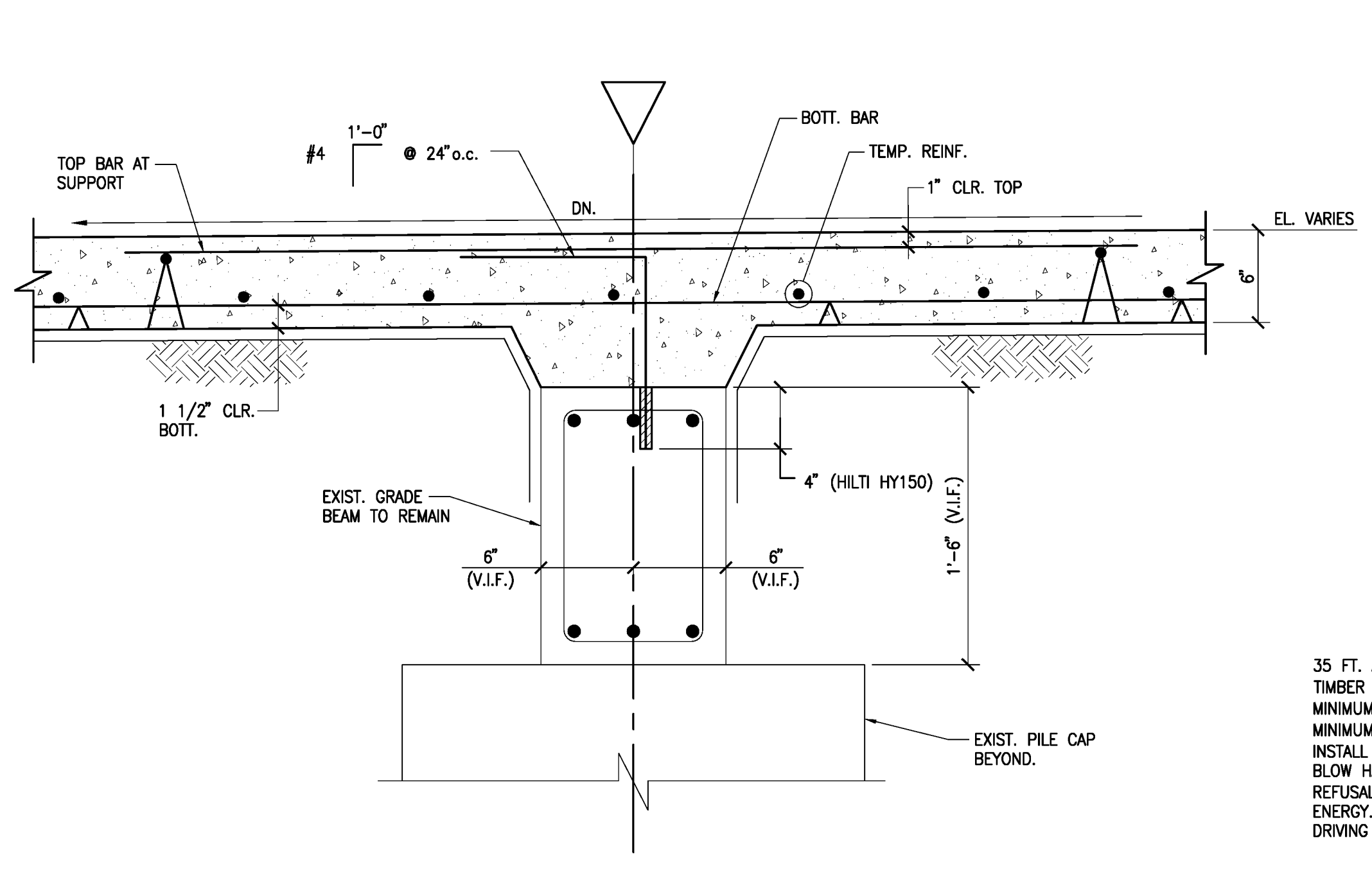
SECTION AT FRONT ENTRY
S1.1 | S1.2 1 1/2" = 1'-0"



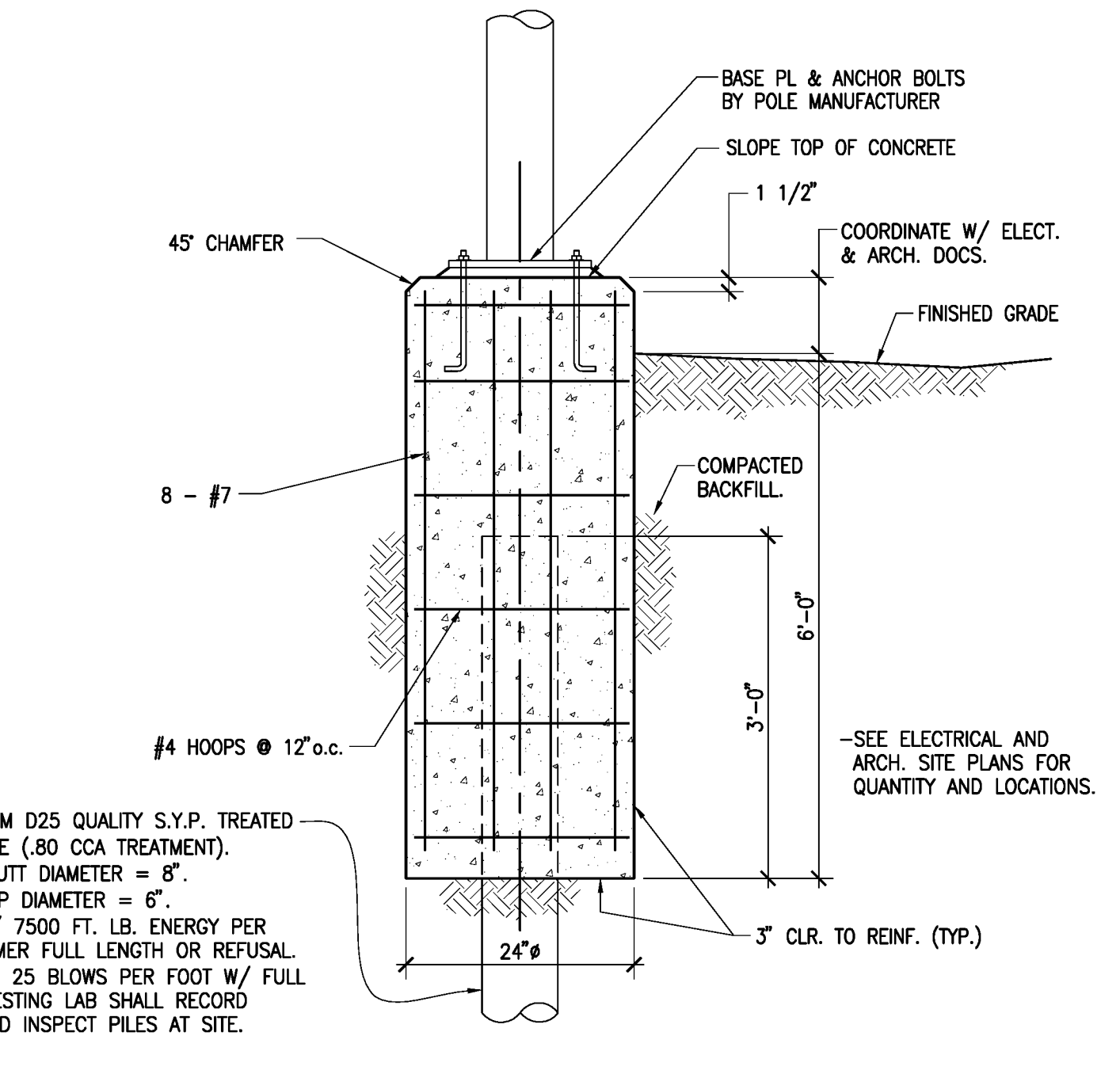
SECTION AT FRONT ENTRY
S1.1 | S1.2 1 1/2" = 1'-0"



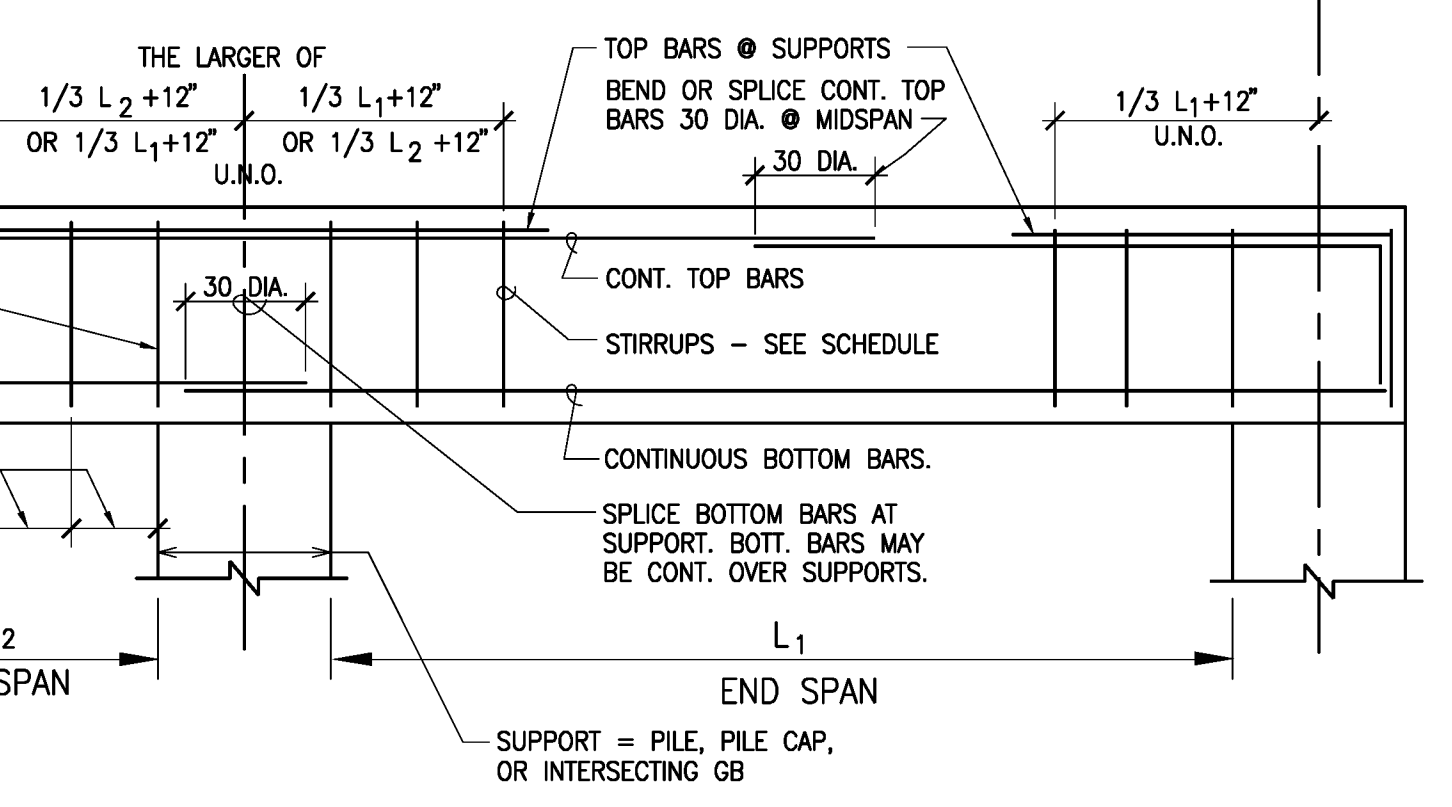
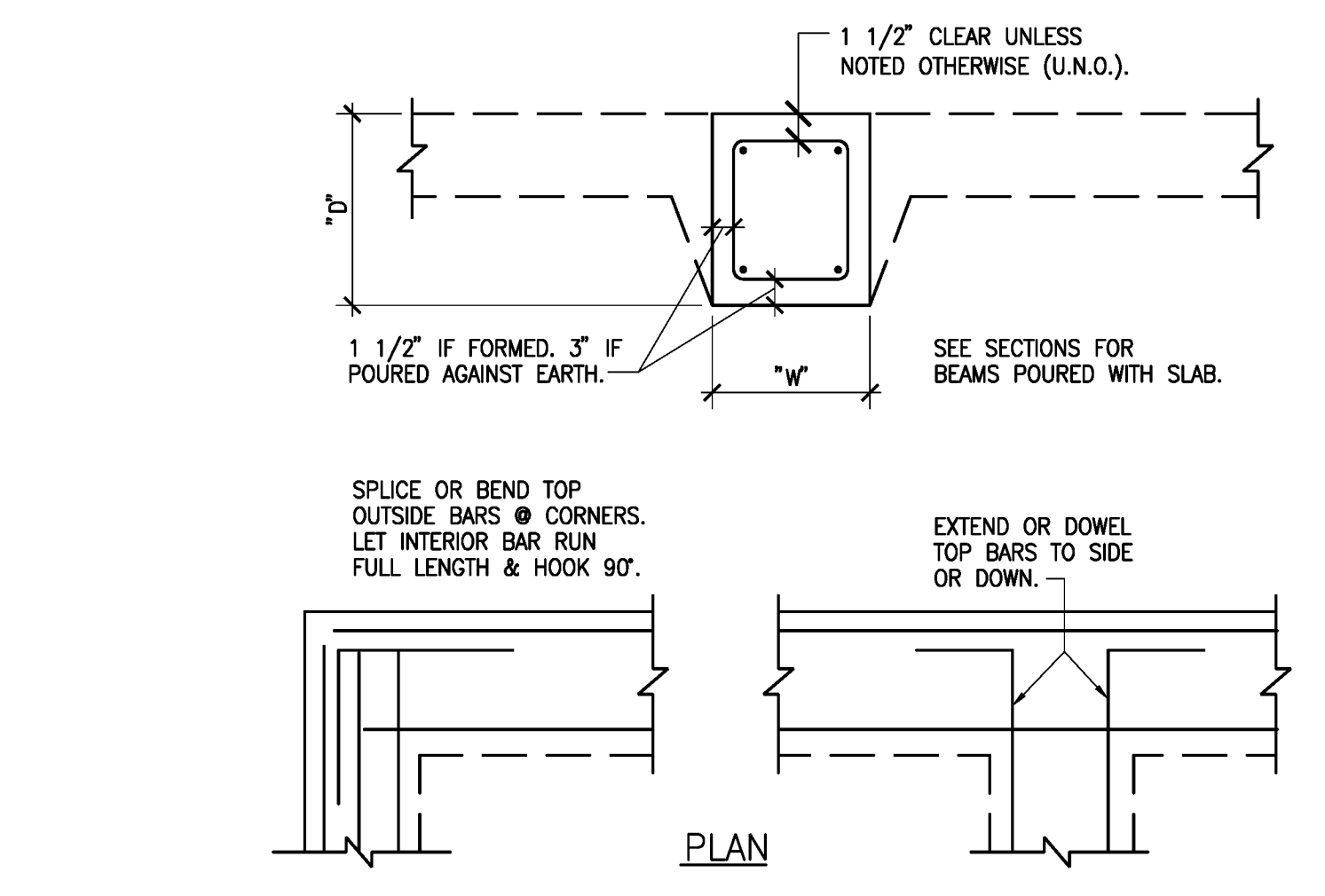
SECTION AT EXTERIOR STAIR
S1.1 | S1.2 1 1/2" = 1'-0"



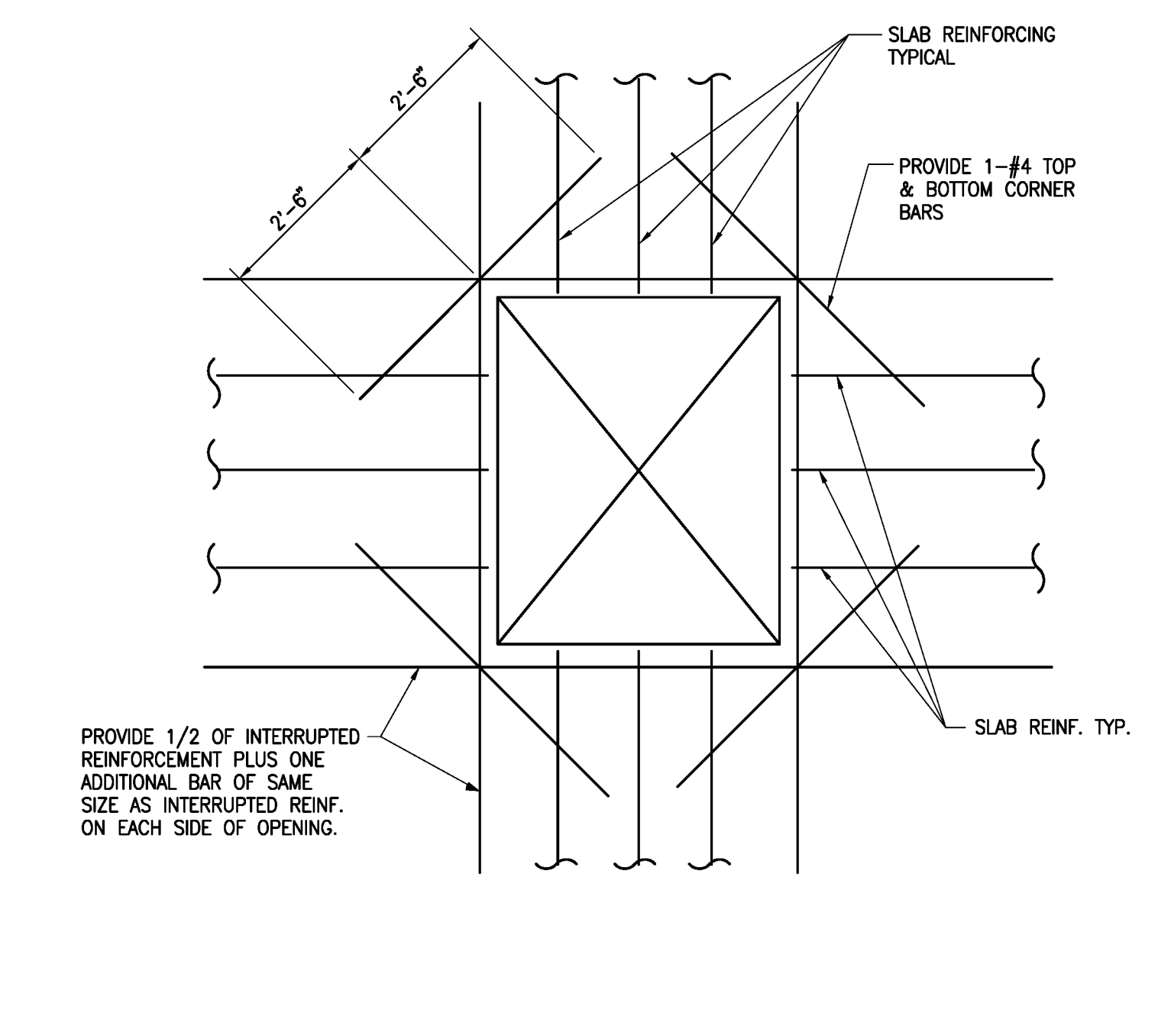
SECTION AT FRONT ENTRY
S1.1 | S1.2 1 1/2" = 1'-0"



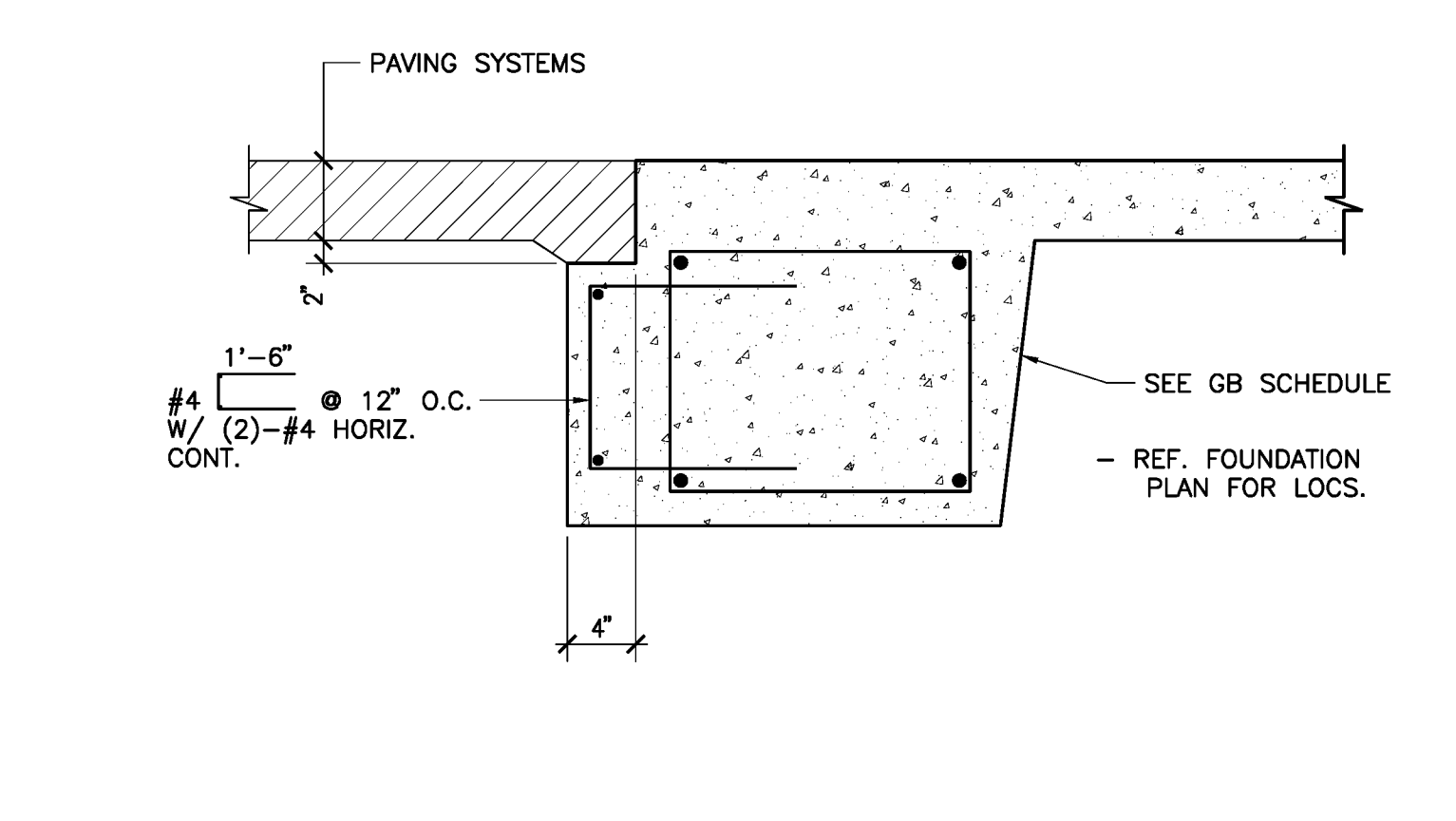
TYPICAL LIGHT STANDARD FOUNDATION (30 FT. MAX. HEIGHT)
S1.2 N.T.S.



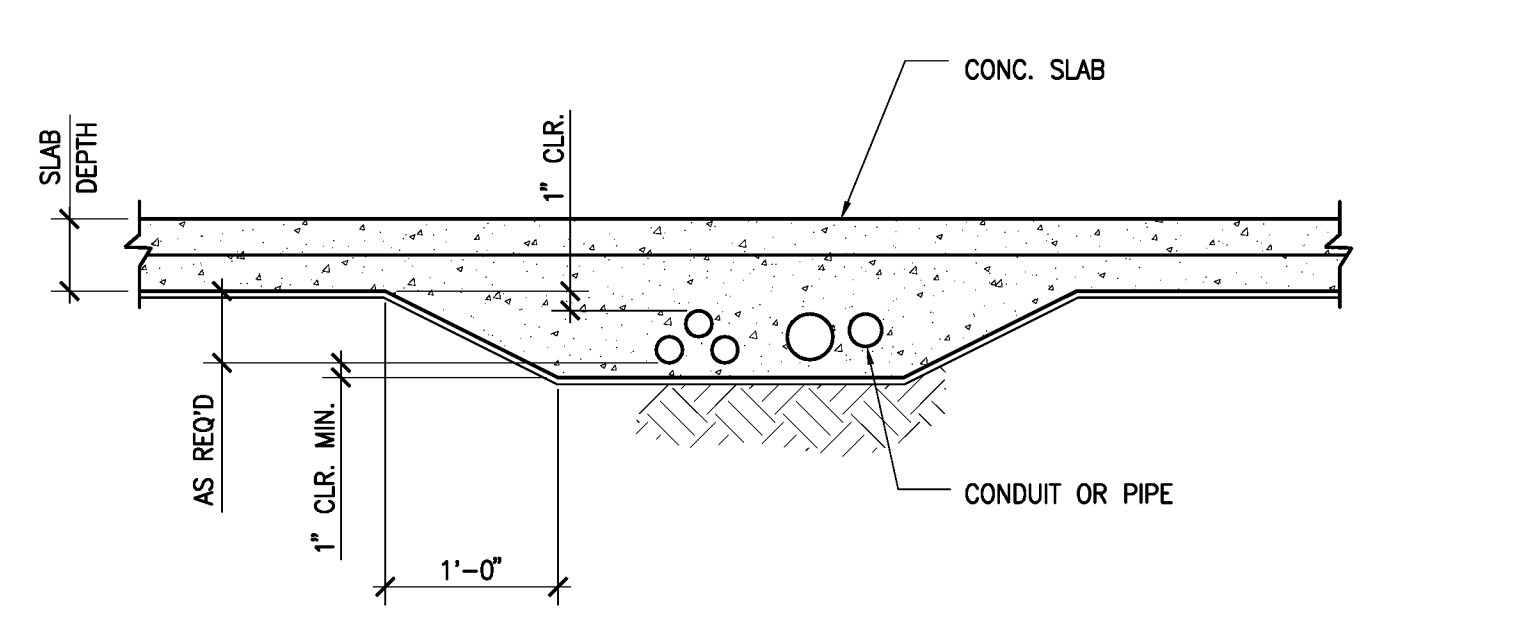
TYPICAL GRADE BEAM DETAIL
S1.2 N.T.S.



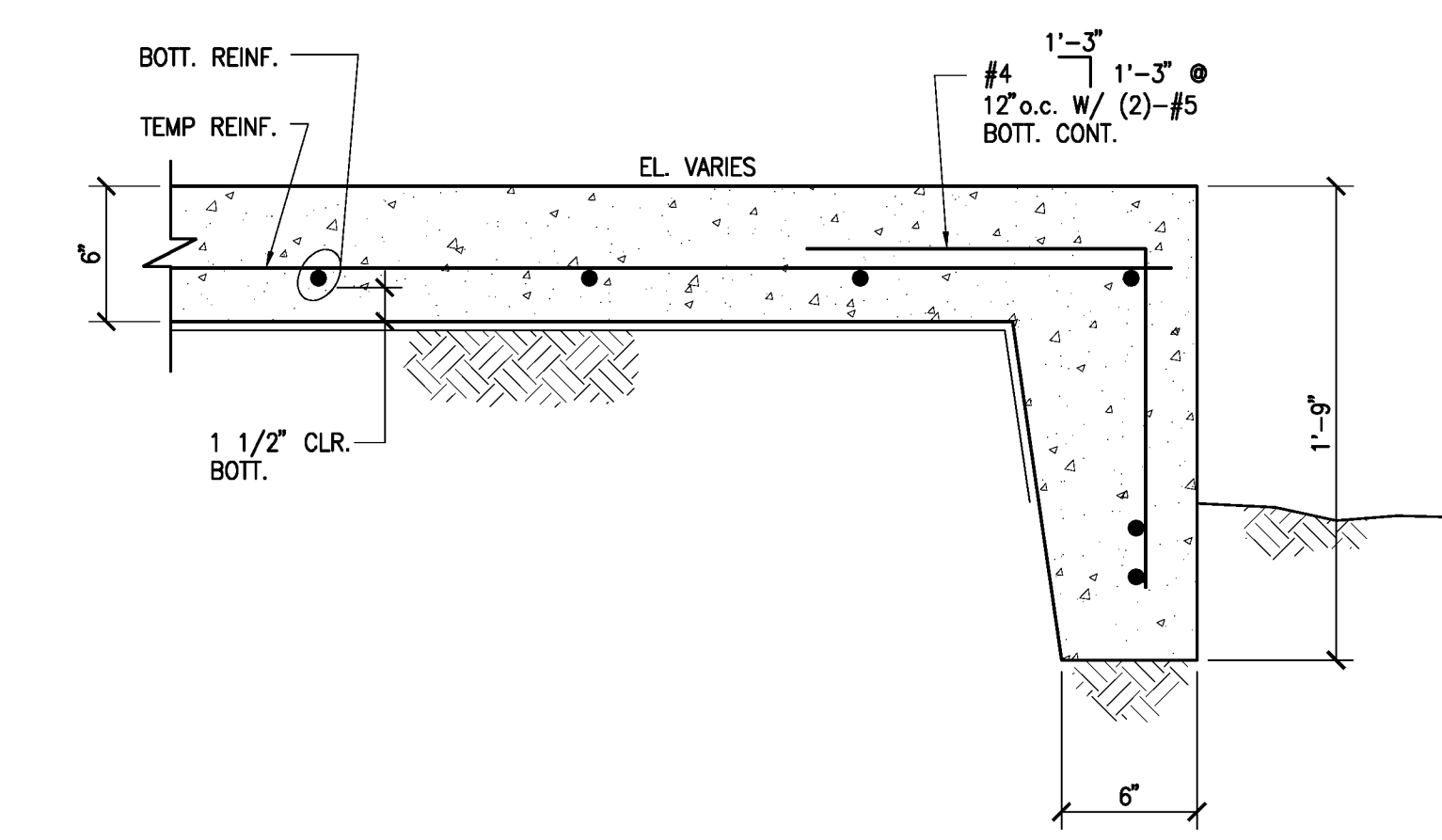
TYPICAL DETAIL - SLAB OPENING
S1.2 3/4" = 1'-0"



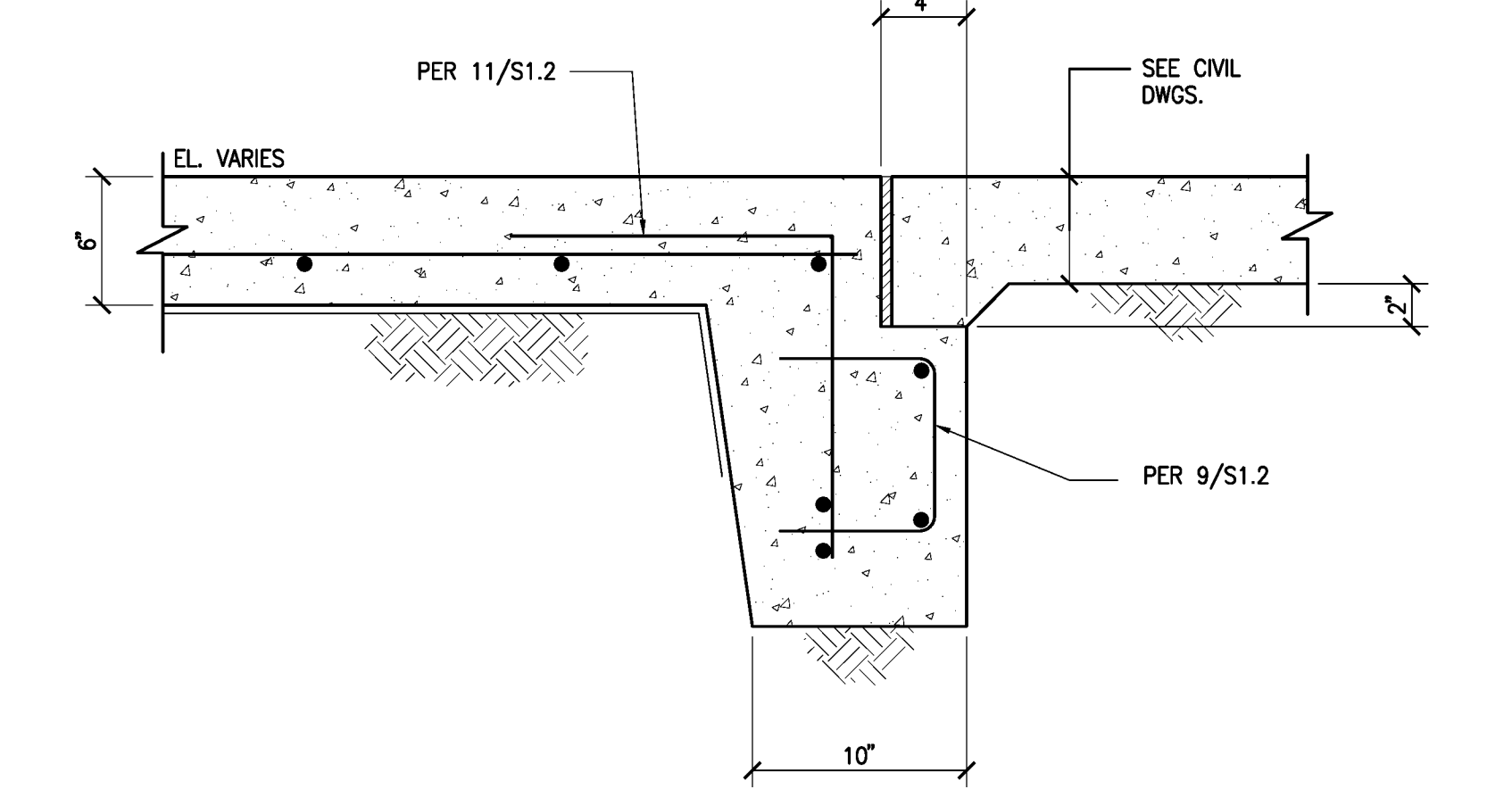
TYPICAL PAVEMENT SUPPORT LEDGE
S1.2 N.T.S.



TYPICAL ARRANGEMENT OF CONDUIT OR PIPES IN FIRST FLOOR SLAB
S1.2 N.T.S.

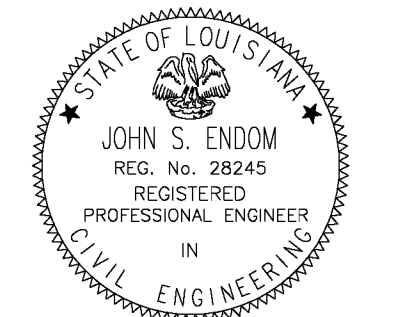


SECTION AT FRONT ENTRY
S1.2 1 1/2" = 1'-0"



SECTION AT FRONT ENTRY
S1.2 1 1/2" = 1'-0"

Date: 07 JULY 2010



E+D+R No. 09007
Drawn By: MDD
Drawing Title: DETAILS