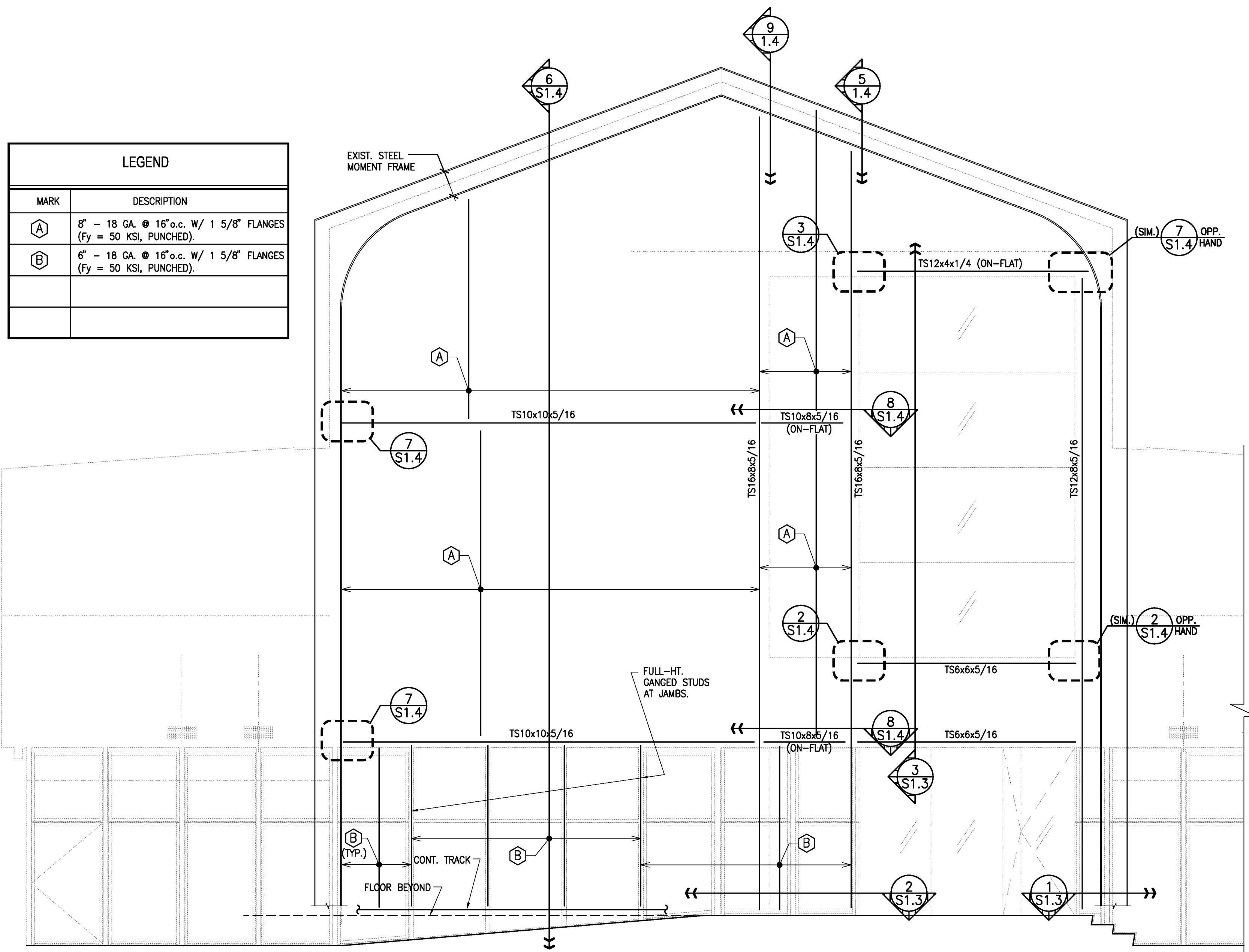
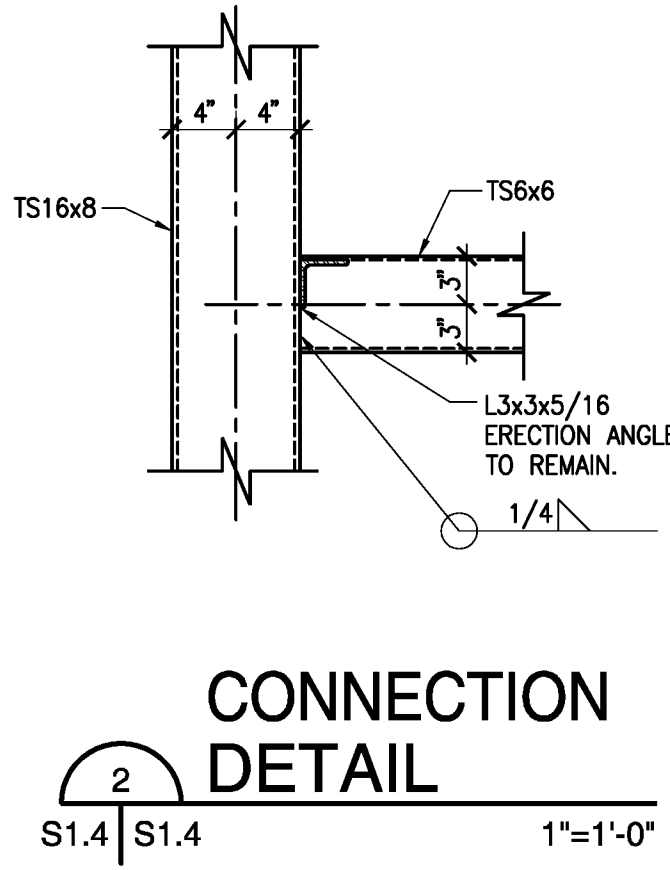


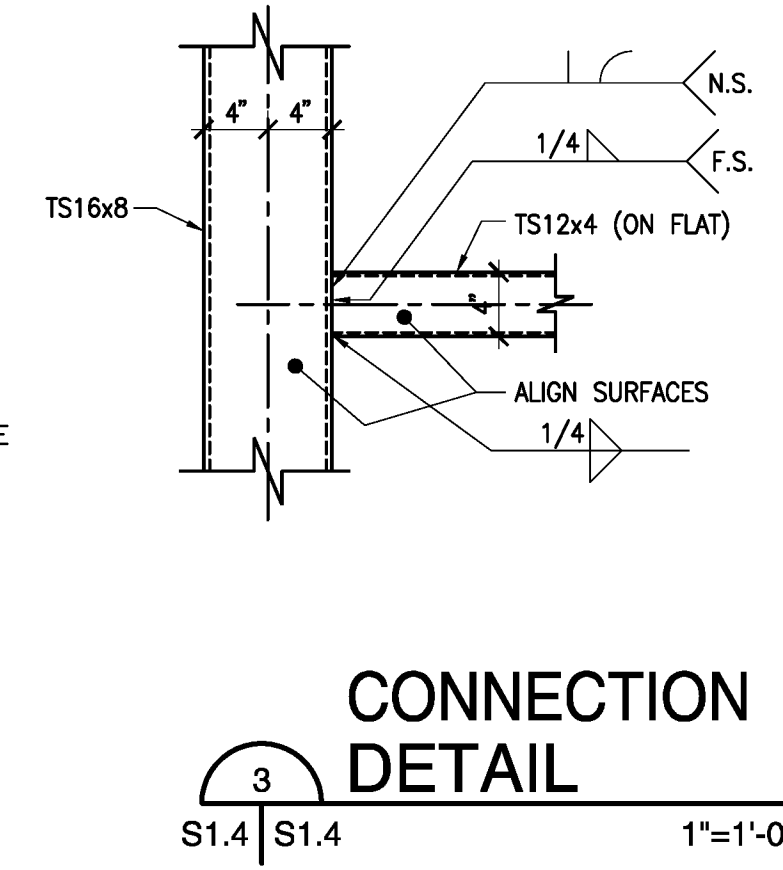
LEGEND	
MARK	DESCRIPTION
(A)	6" - 18 GA. @ 16" O.C. W/ 1 5/8" FLANGES (F _y = 50 KSI, PUNCHED).
(B)	6" - 18 GA. @ 16" O.C. W/ 1 5/8" FLANGES (F _y = 50 KSI, PUNCHED).



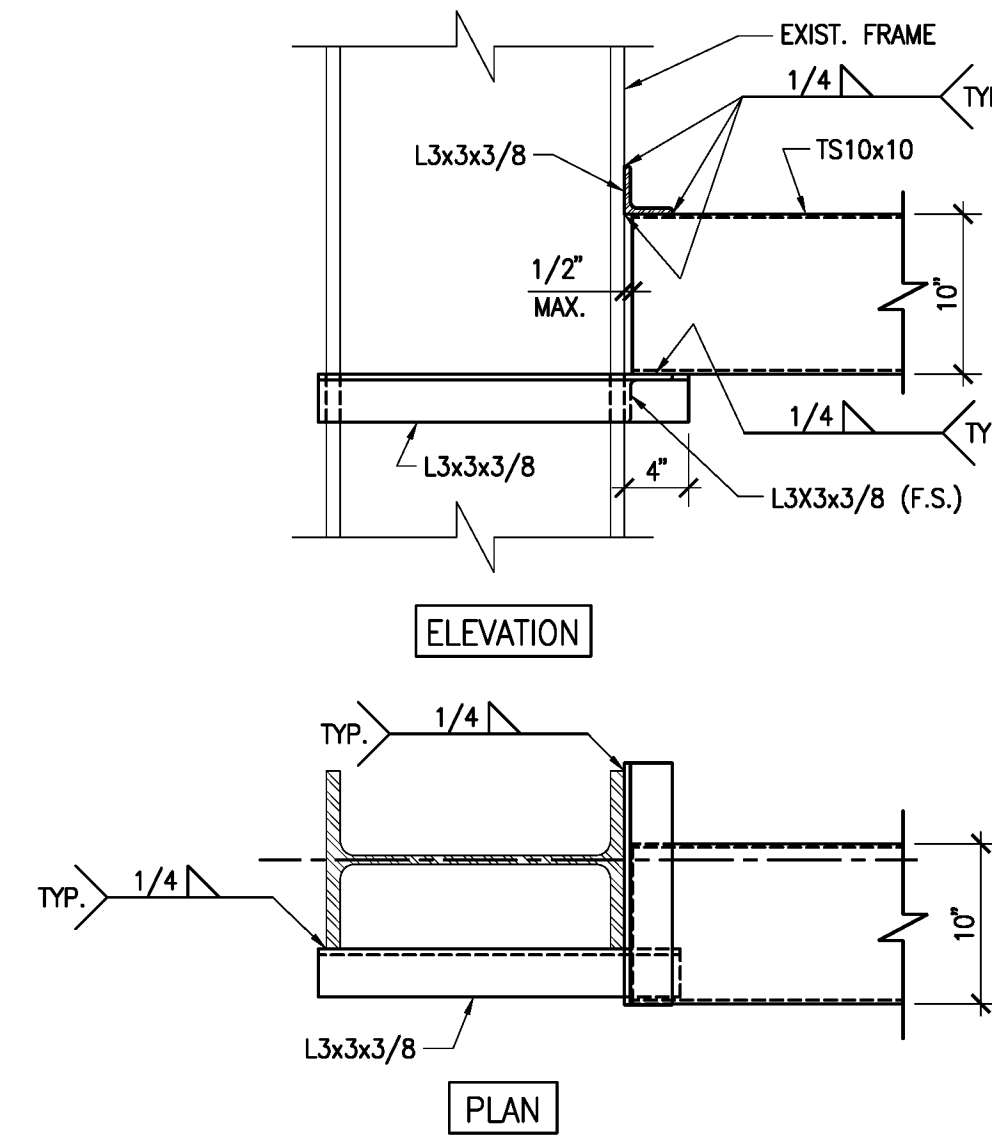
1 INTERIOR TUBE FRAME ELEVATION (LOOKING EAST)
S1.1 | S1.4 1/4" = 1'-0"



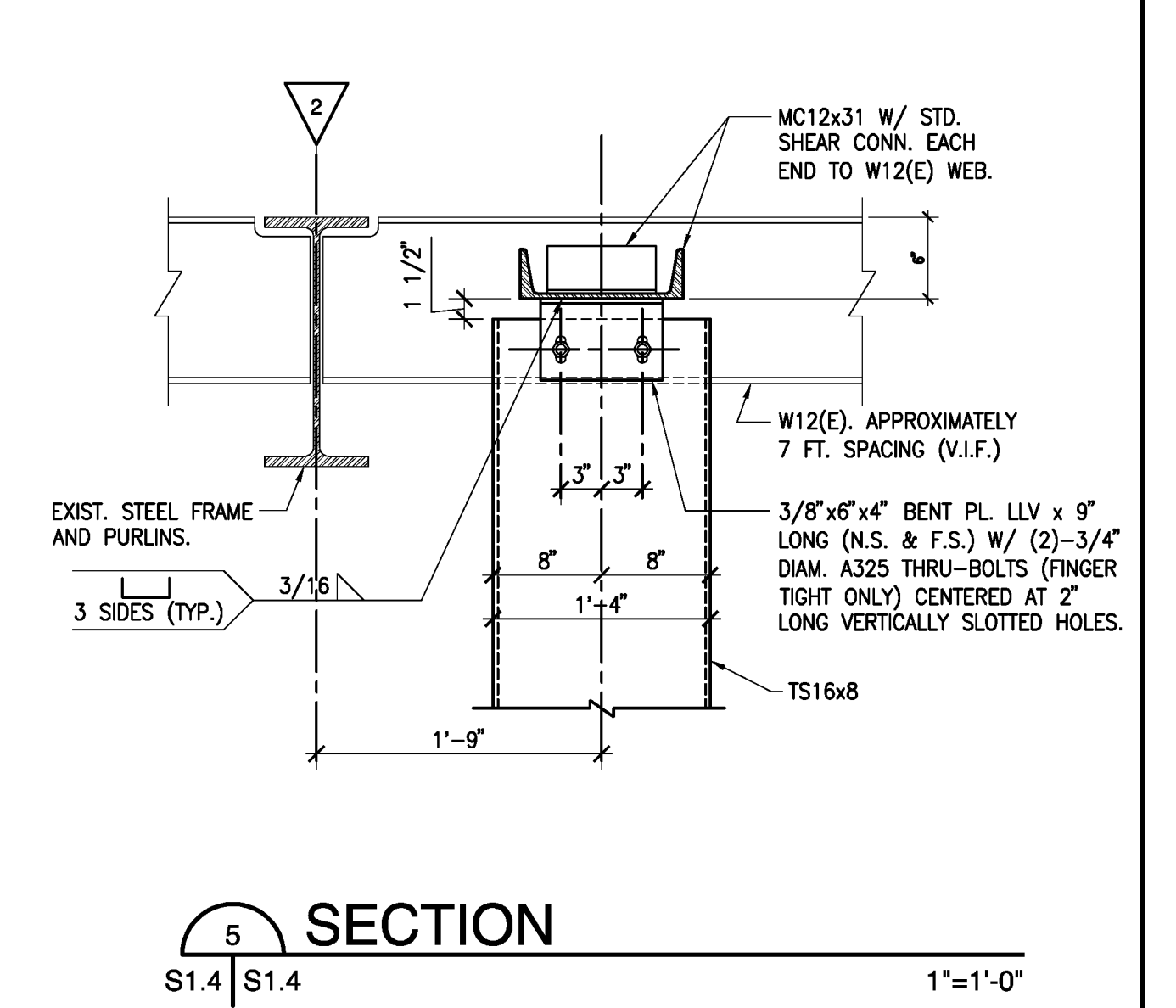
2 CONNECTION DETAIL
S1.4 | S1.4 1" = 1'-0"



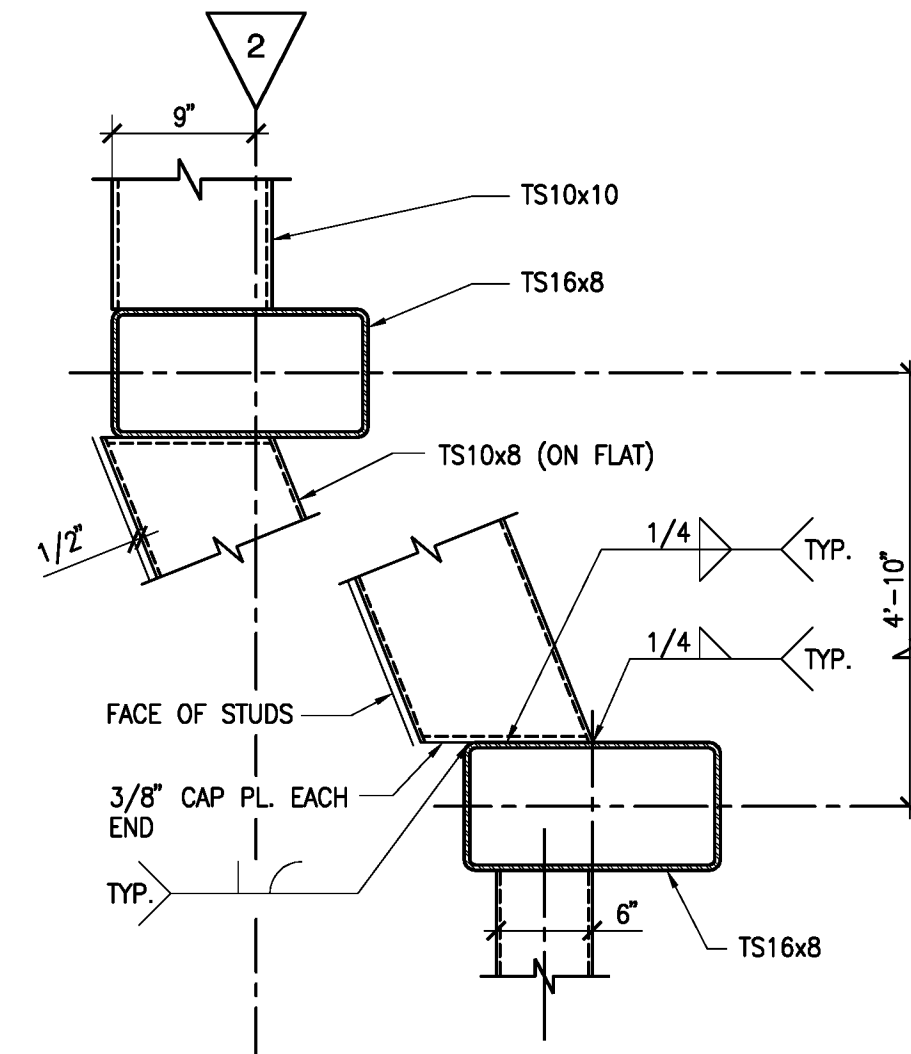
3 CONNECTION DETAIL
S1.4 | S1.4 1" = 1'-0"



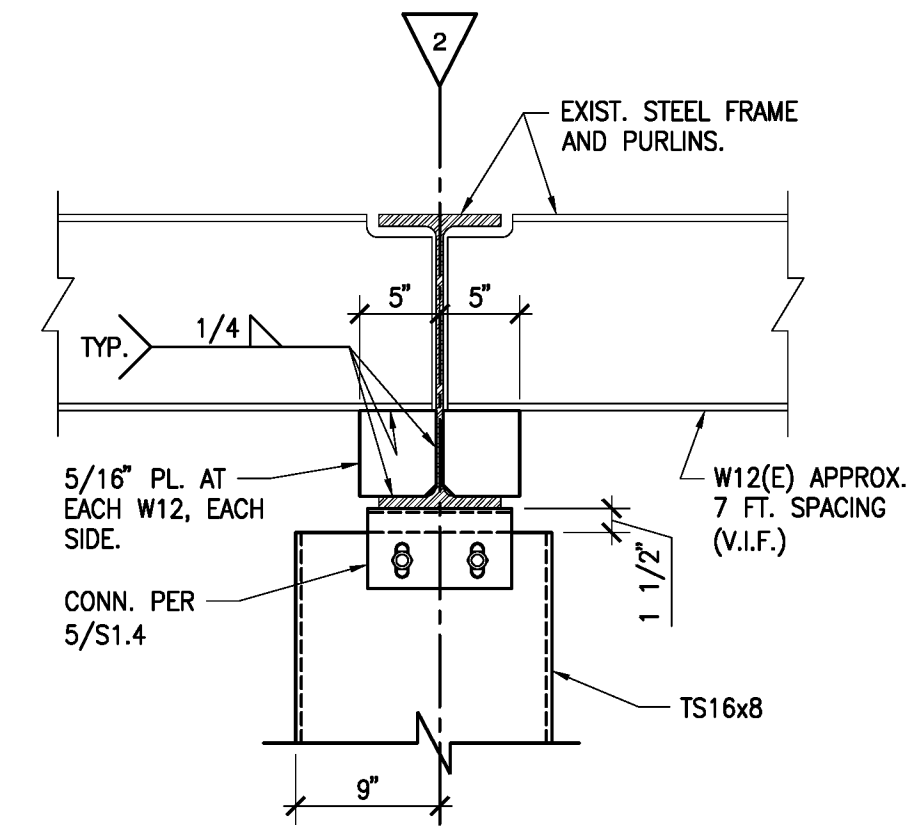
7 DETAIL
S1.4 | S1.4 1" = 1'-0"



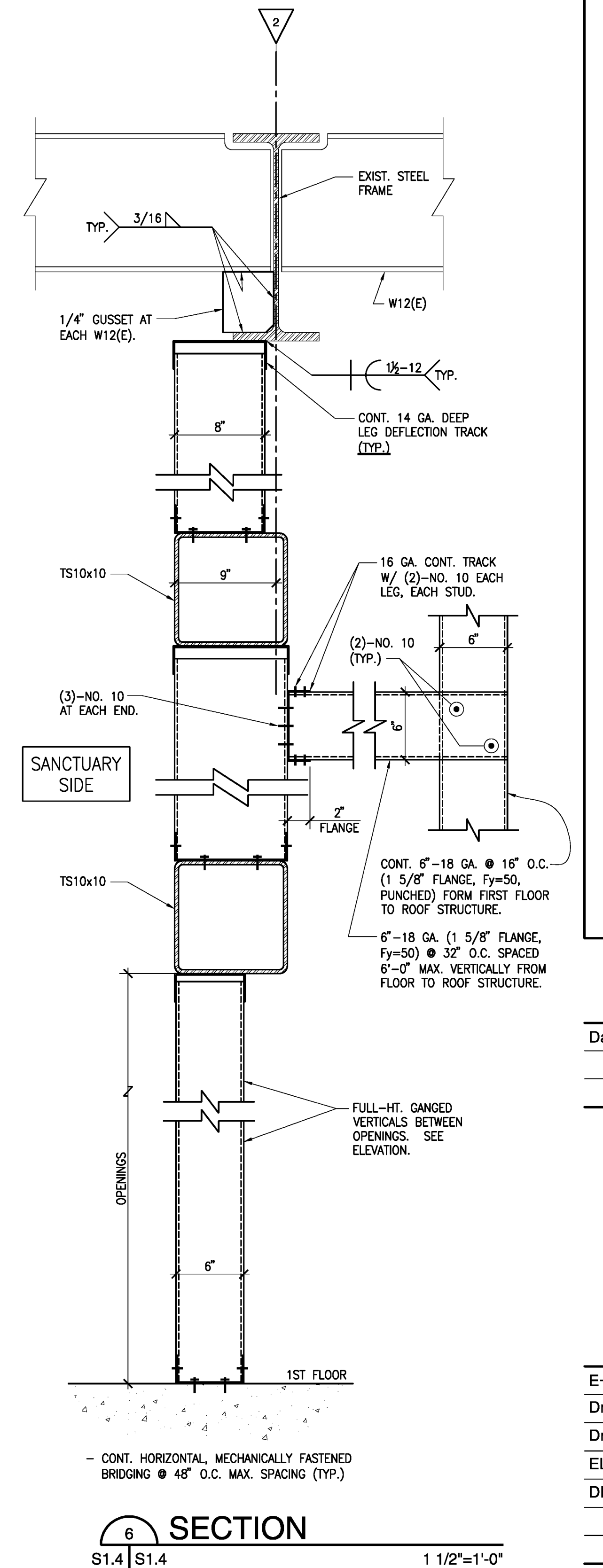
5 SECTION
S1.4 | S1.4 1" = 1'-0"



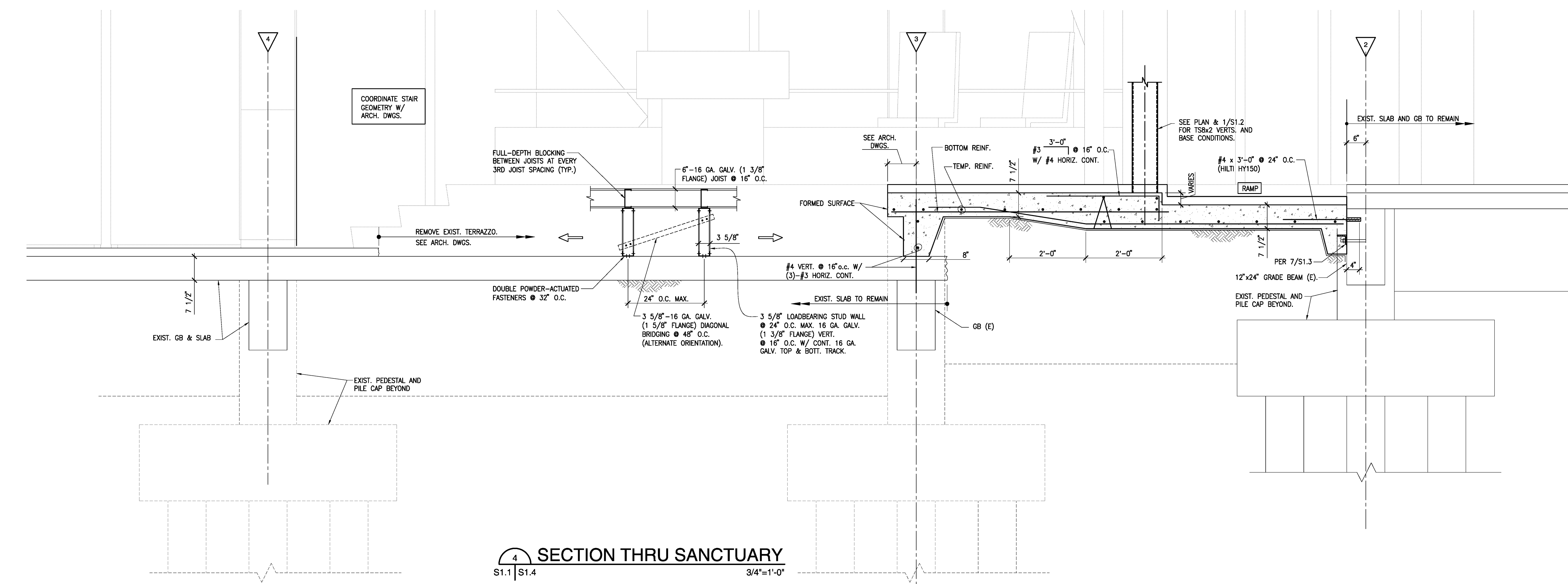
8 PLAN DETAIL
S1.4 | S1.4 1" = 1'-0"



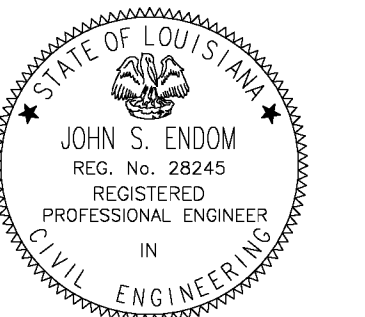
9 SECTION
S1.4 | S1.4 1" = 1'-0"



6 SECTION
S1.4 | S1.4 1 1/2" = 1'-0"



4 SECTION THRU SANCTUARY
S1.1 | S1.4 3/4" = 1'-0"



MARK: NAME: 5620_S1.4.dwg DATE: JUL 07 2010 TIME: 6:32 PM
 E:\Struct\5620_Transfiguration of the Lord\Struct\5620 re-bid(6-7-10current)\5620_S1.4.dwg
 07 Jul 10 - 8:33pm