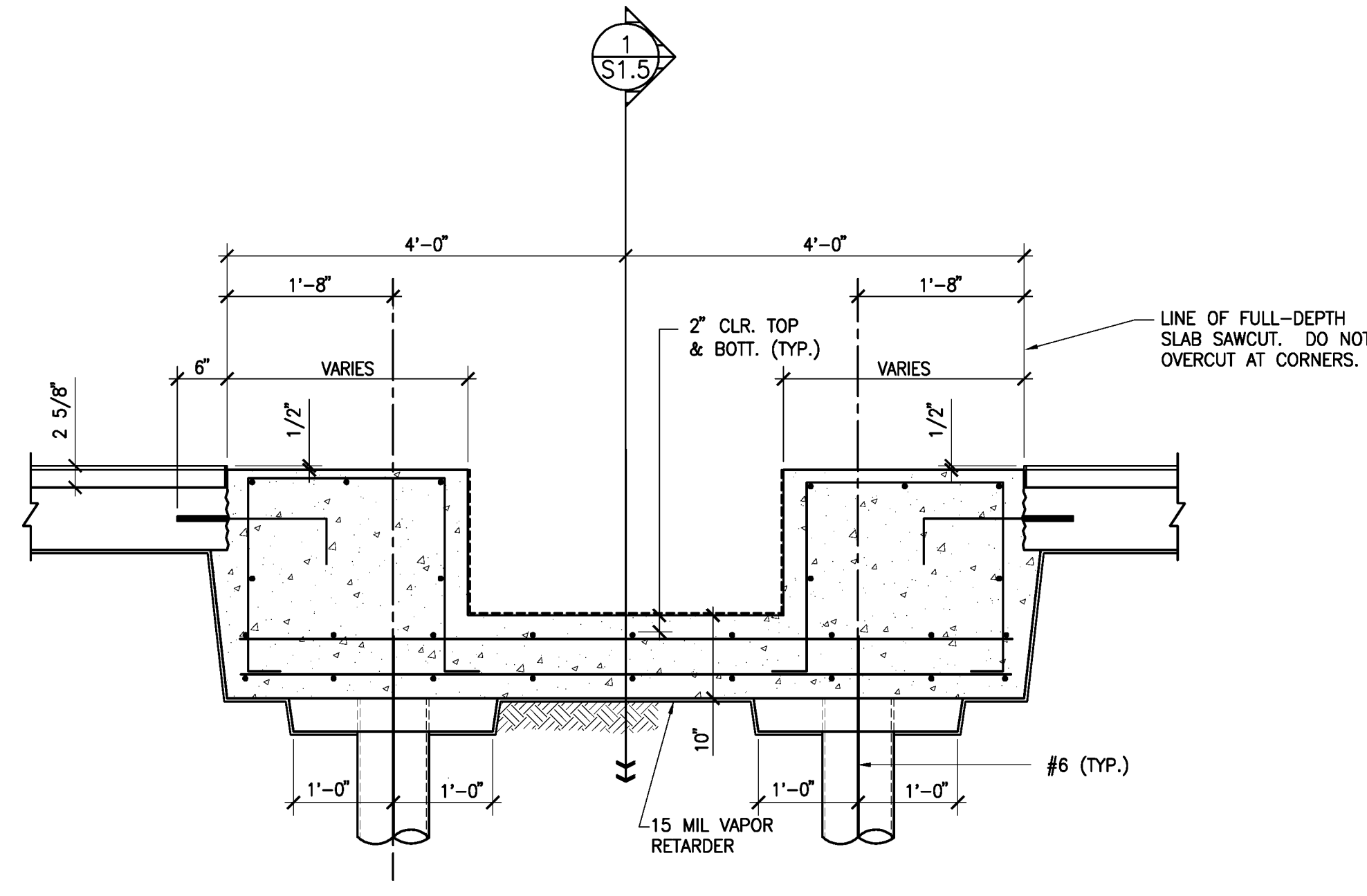
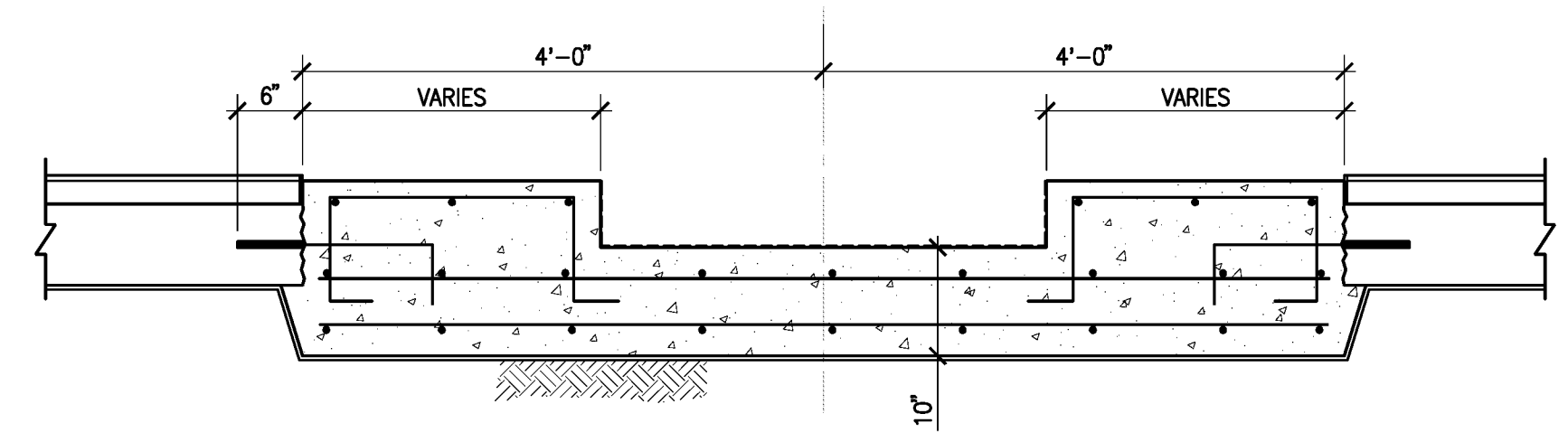


SECTION AT BAPTISMAL FONT (AT CENTERLINE)
 S1.1 | S1.5 3/4" = 1'-0"



SECTION AT BAPTISMAL FONT
 S1.1 | S1.5 3/4" = 1'-0"

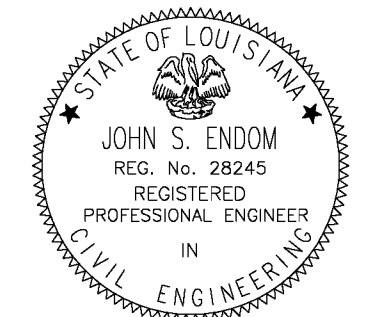


SECTION AT BAPTISMAL FONT
 S1.1 | S1.5 3/4" = 1'-0"

CONCRETE: 4,000 PSI NORMAL WEIGHT.
 WATER/CEMENT MAX. RATIO = .45.
 PROVIDE XYPEX WATERPROOFING
 ADMIXTURE TO CONCRETE MIX.

MARK: NAME: 5620_S1.5.dwg DATE: JUL 07 2010 TIME: 6:57 PM
 E:\Struct\5620_Transfiguration of the Lord\Struct\5620 re-bid(6-7-10current)\5620_S1.5.dwg
 07 Jul 10 - 8:37pm

Date: 07 JULY 2010



E+D+R No. 09007
 Drawn By: MDD
 Drawing Title: DETAILS

Sheet No: