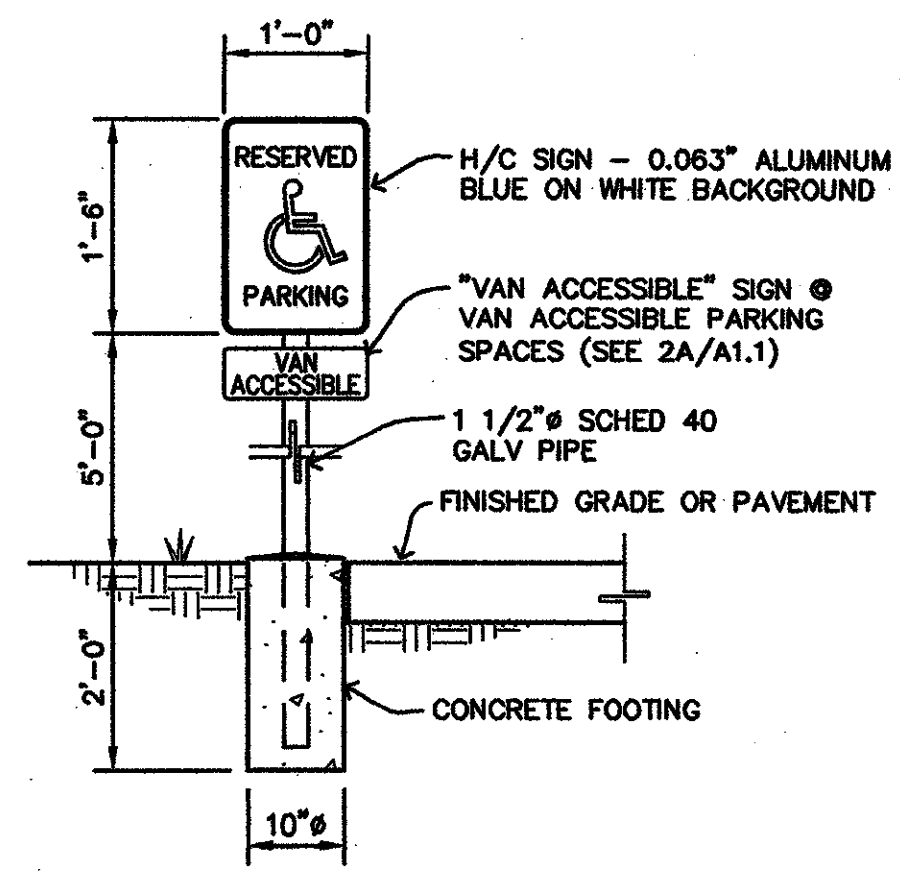
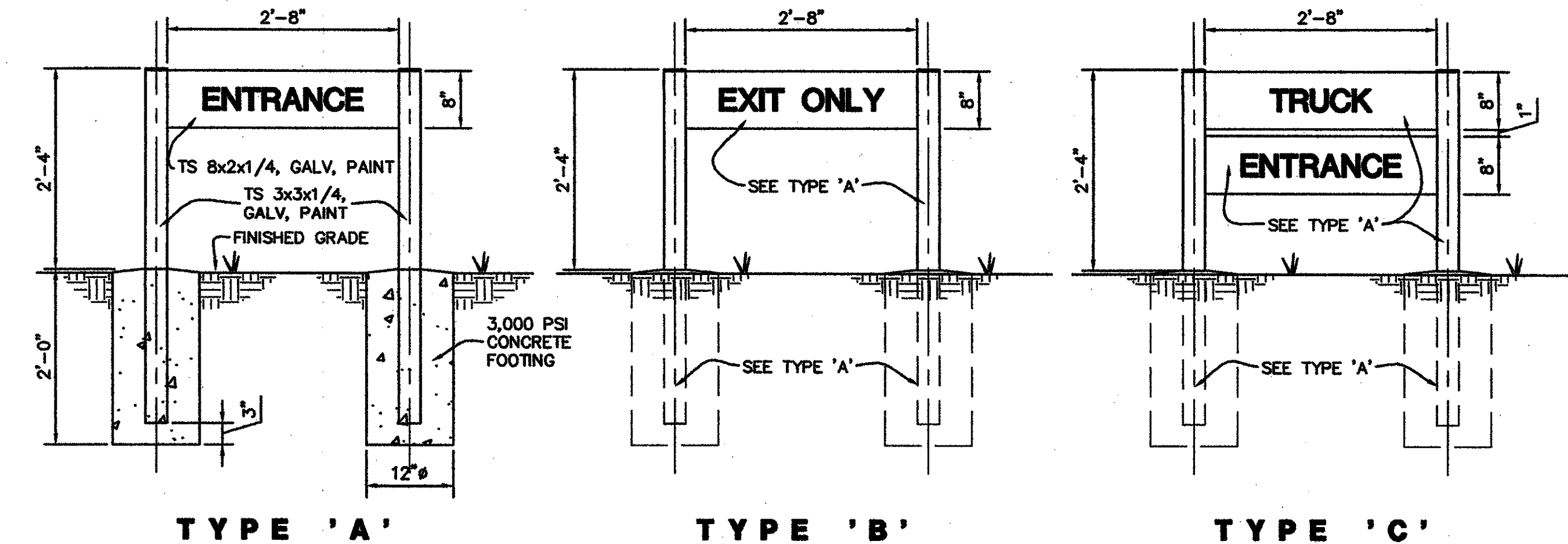


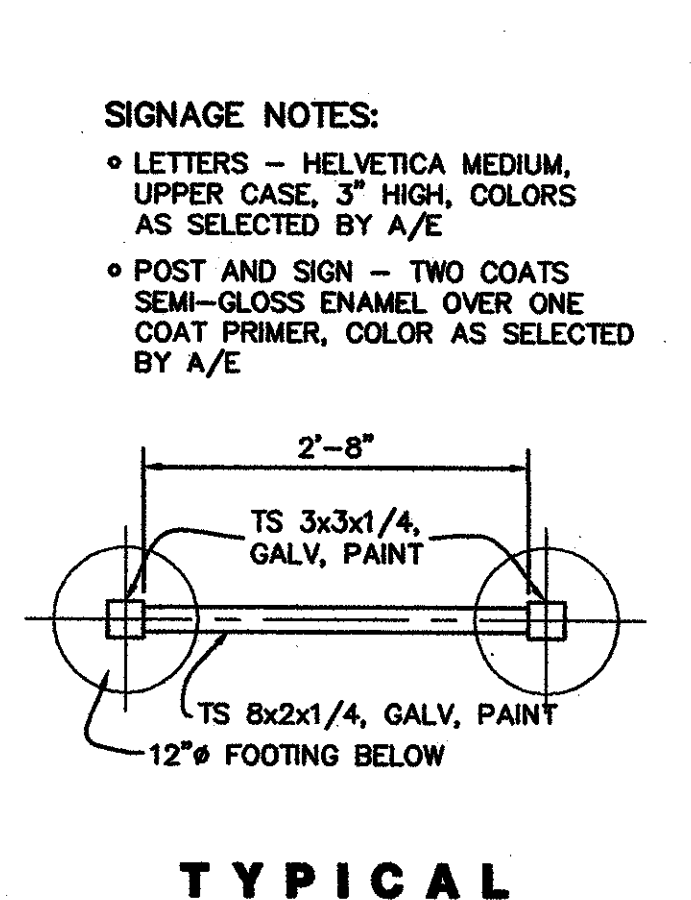
**1 PIPE BOLLARD**  
A10/A11 PIPE BOLLARD.dwg 1/2" = 1'-0"



**2 H/C PARKING SIGN**  
A10/A11 H/C SIGN.dwg 3/4" = 1'-0"

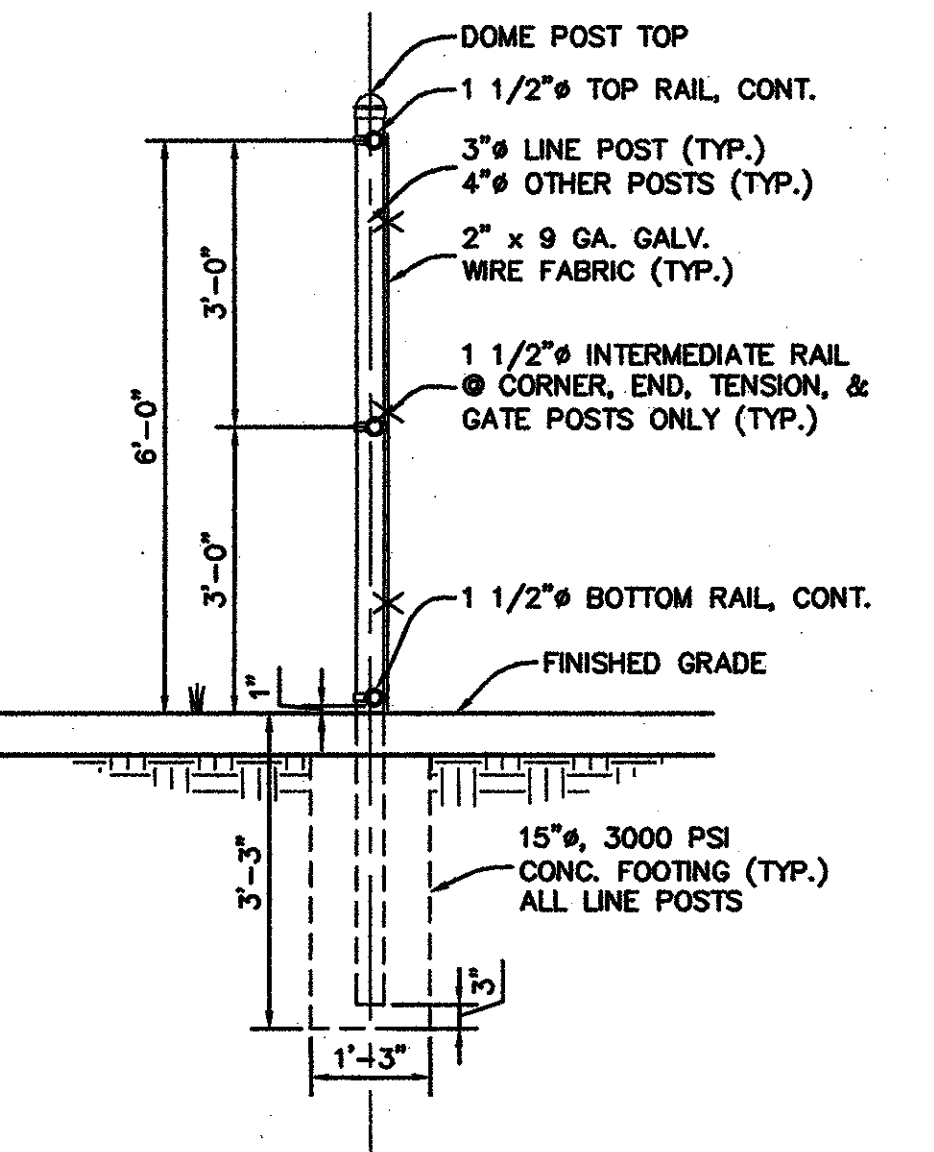


**3 DOUBLE POST TRAFFIC SIGN**  
A10/A11 PIPE BOLLARD.dwg 3/4" = 1'-0"

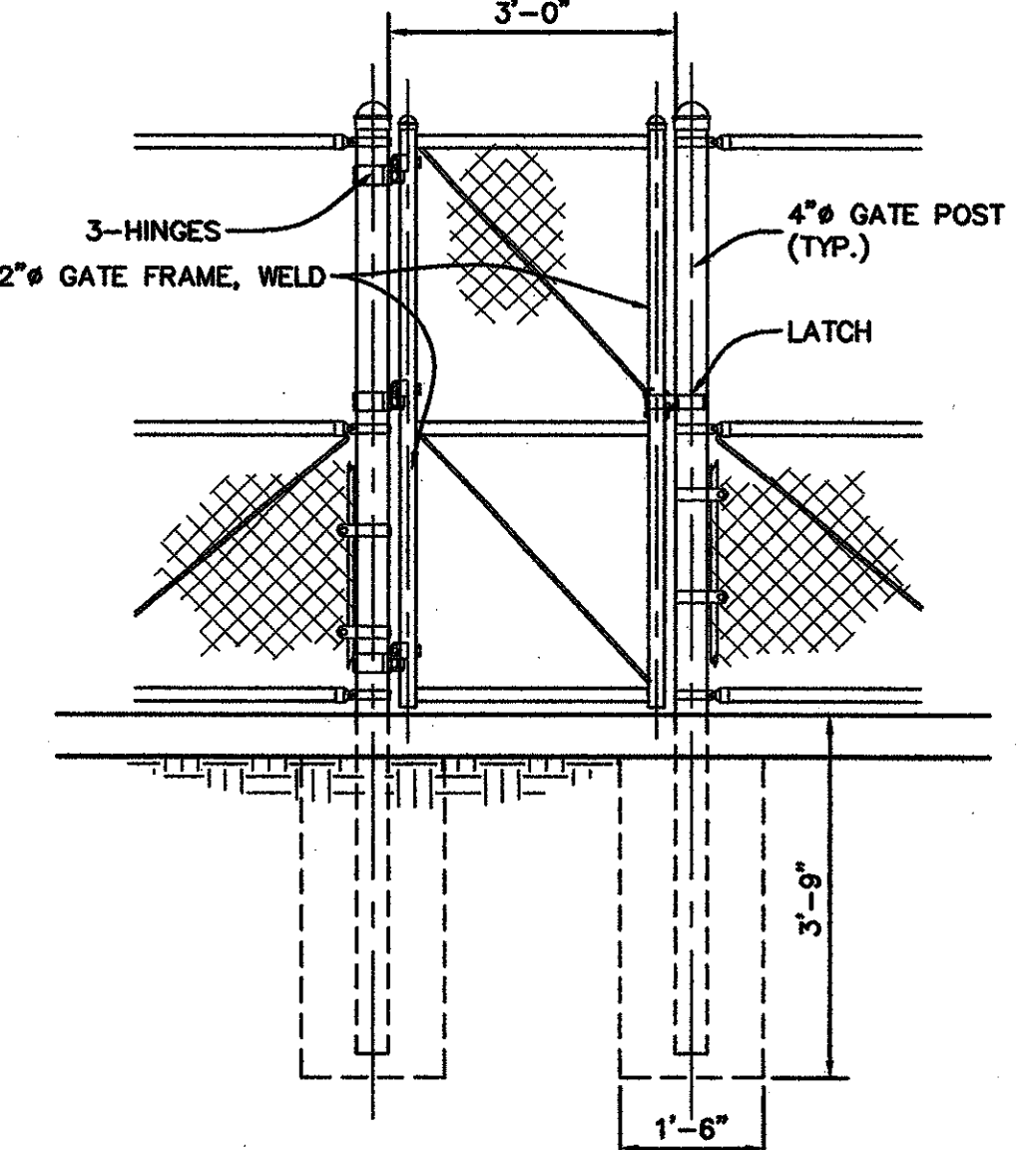
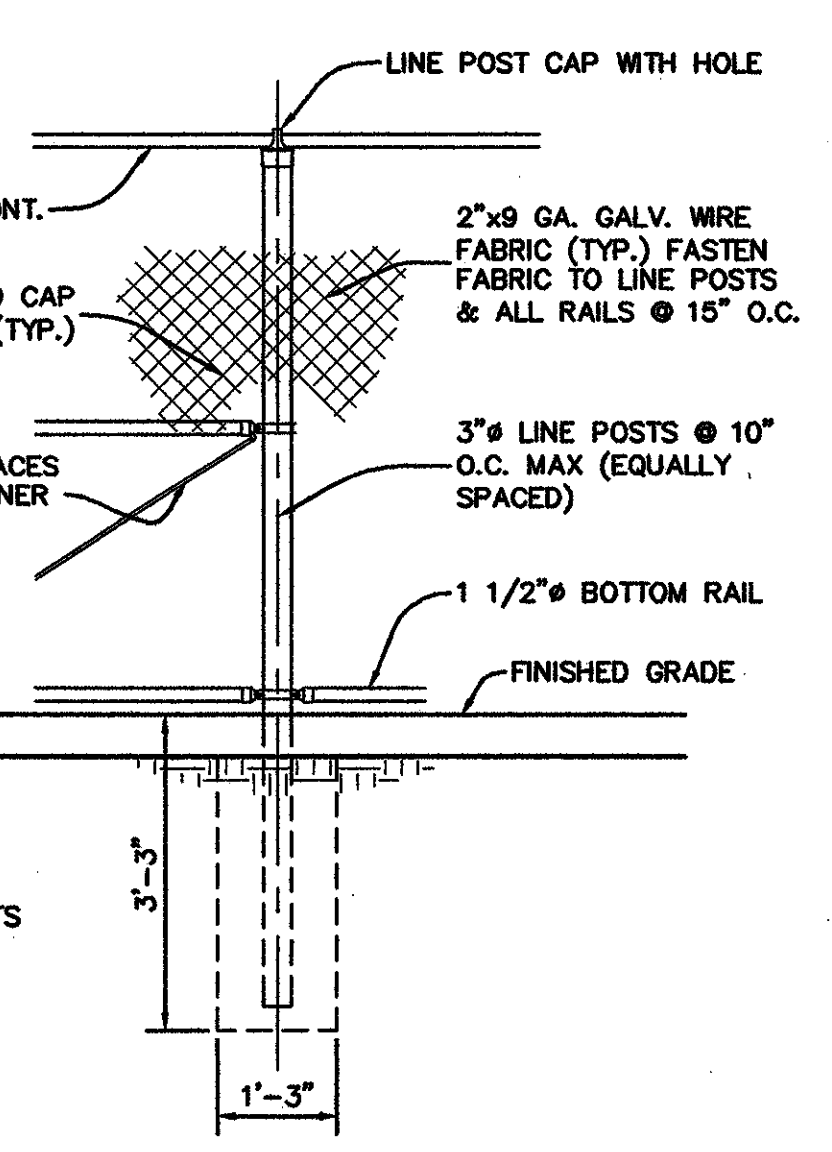
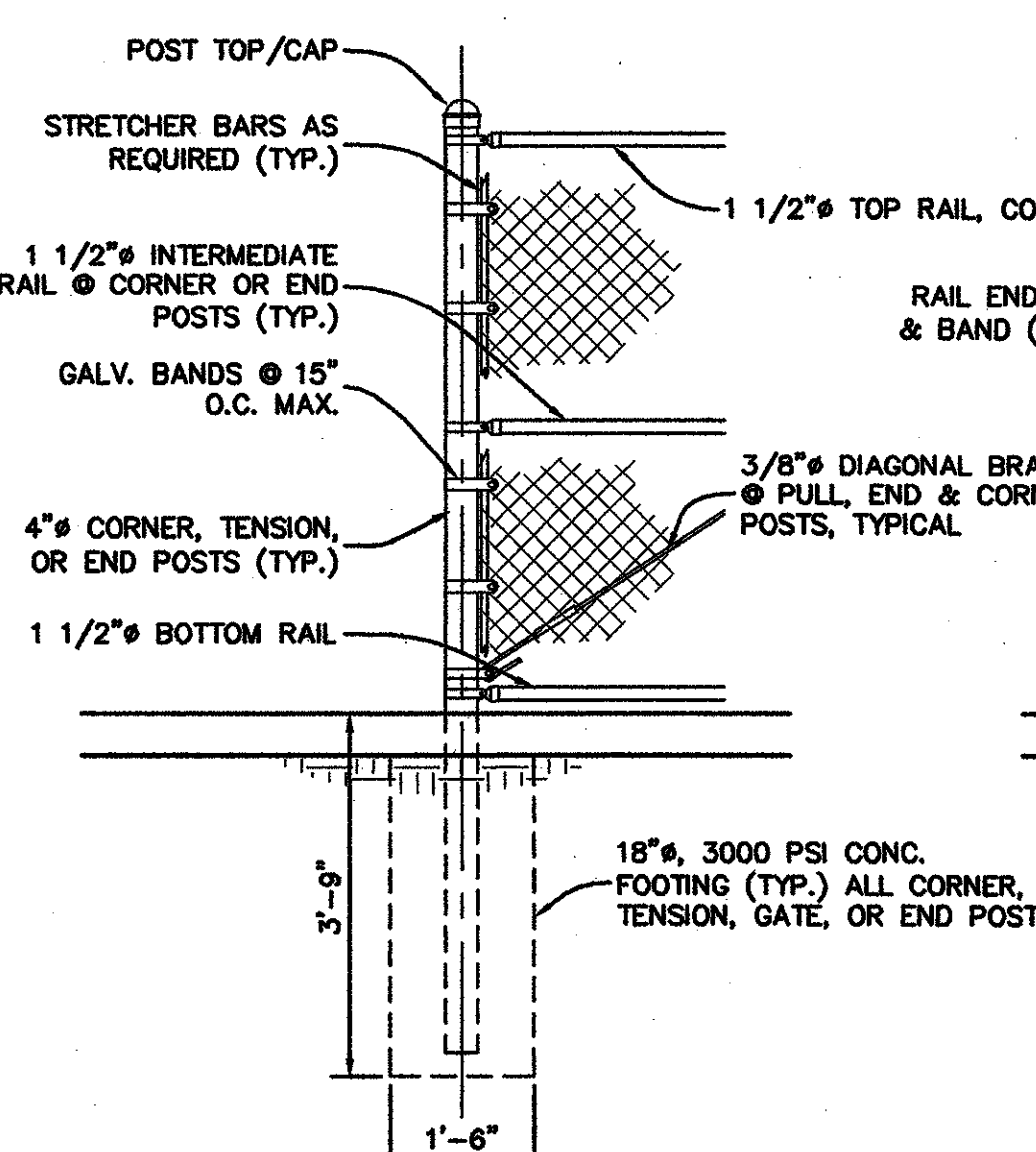


**4 TRAFFIC SIGN PLAN**  
A10/A11 PIPE BOLLARD.dwg N.T.S.

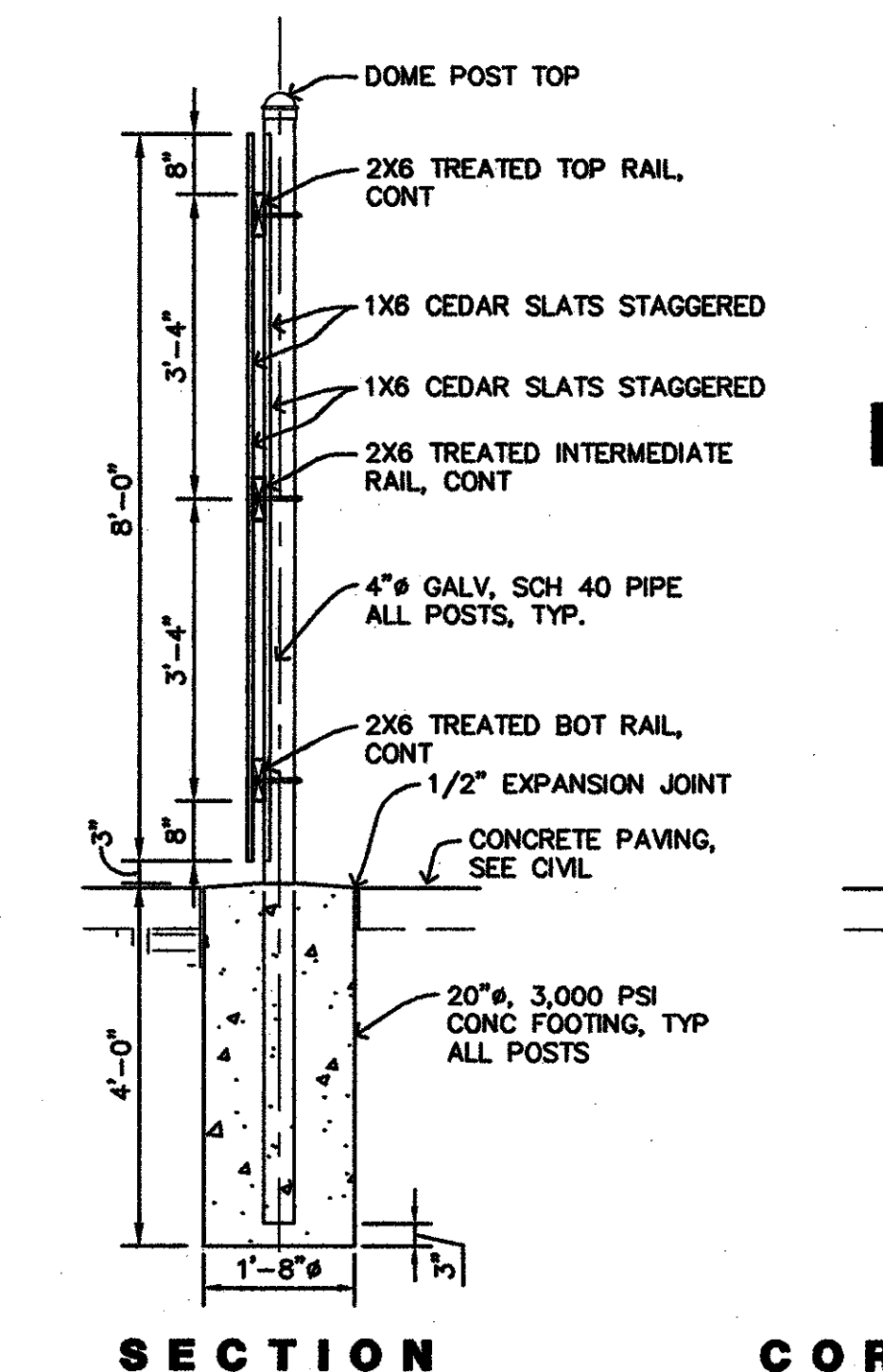
**SIGNAGE NOTES:**  
 • LETTERS - HELVETICA MEDIUM, UPPER CASE, 3" HIGH, COLORS AS SELECTED BY A/E  
 • POST AND SIGN - TWO COATS SEMI-GLOSS ENAMEL OVER ONE COAT PRIMER, COLOR AS SELECTED BY A/E



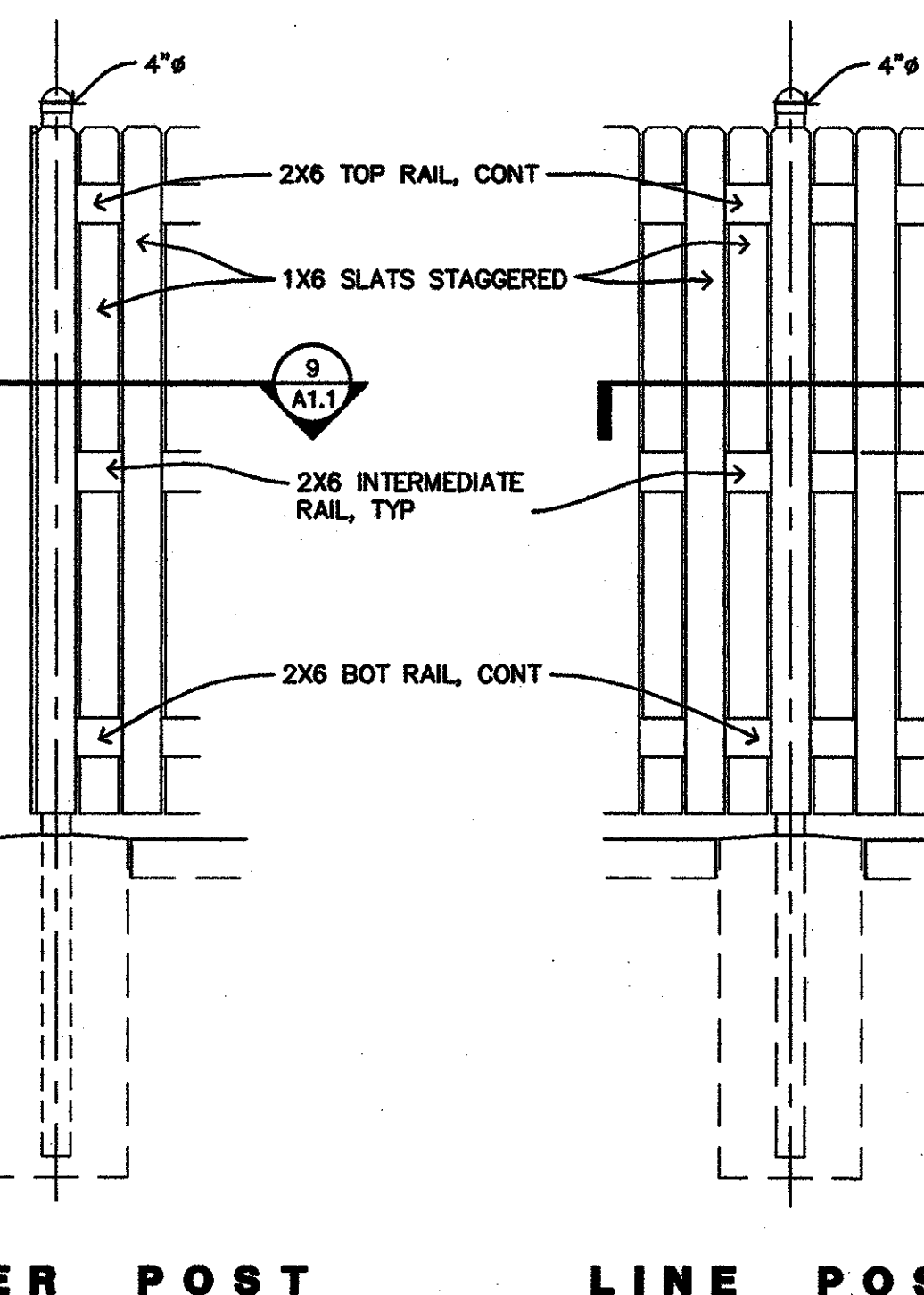
**5 TYP. CHAIN LINK FENCE DETAILS**  
A10/A11 PIPE BOLLARD.dwg 1/2" = 1'-0"



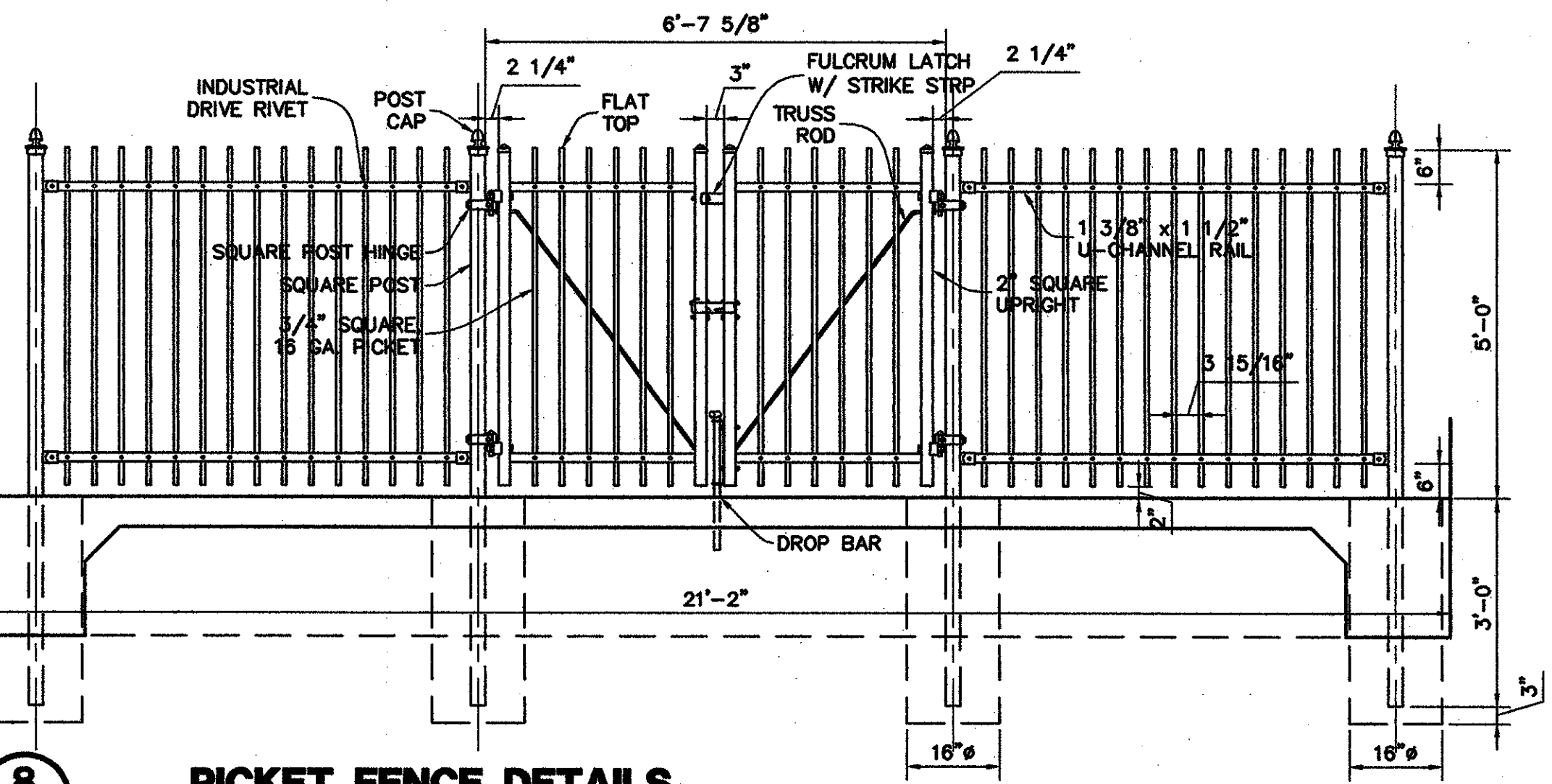
**6 DOWNSPOUT BOOT WITH SPLASH BLOCK**  
A11/A11 0054049DownspoutBootWithSplashBlock.DWG 1/4" = 1'-0"



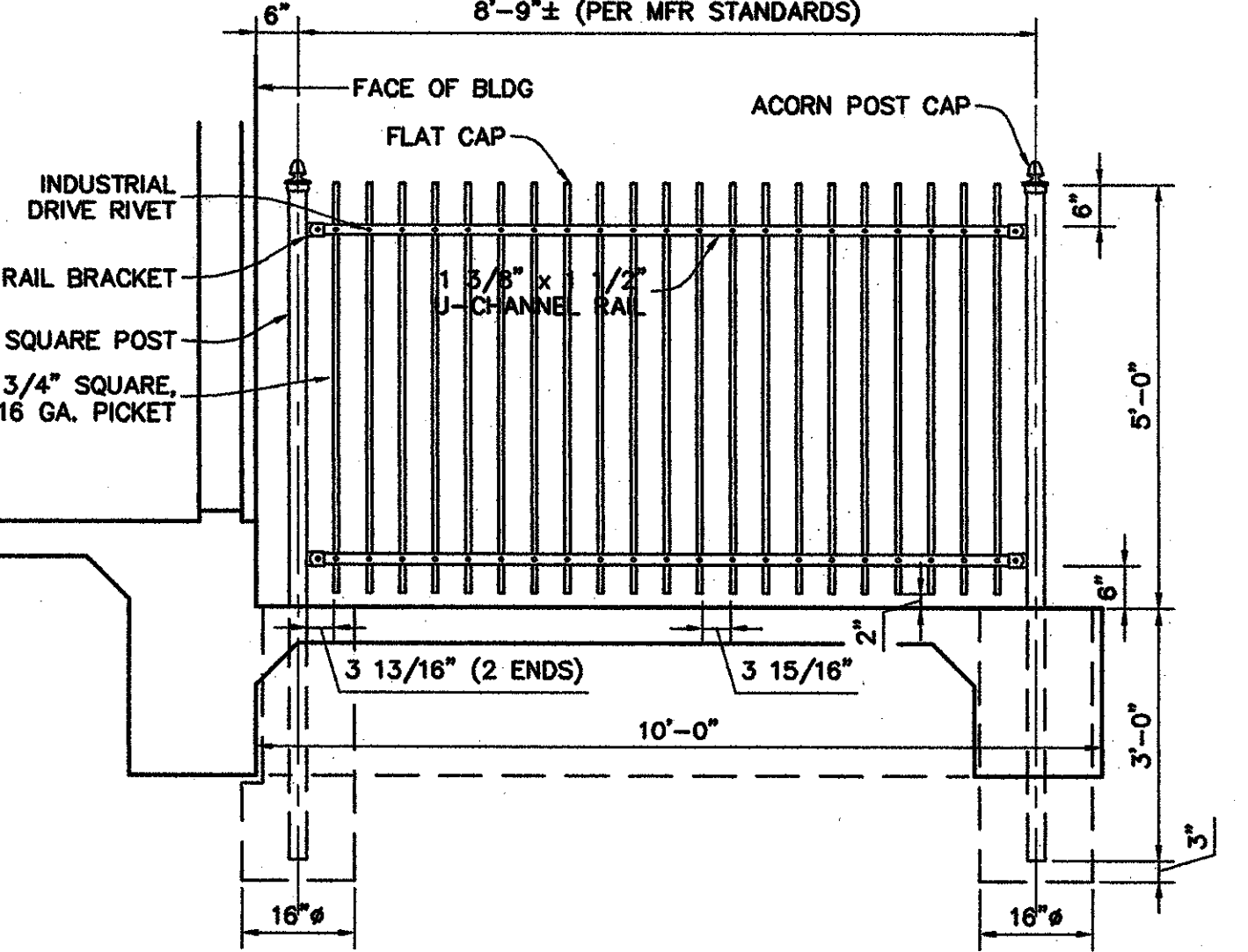
**7 TYP. WOOD FENCE DETAILS**  
A10/A11 PIPE BOLLARD.dwg 1/2" = 1'-0"



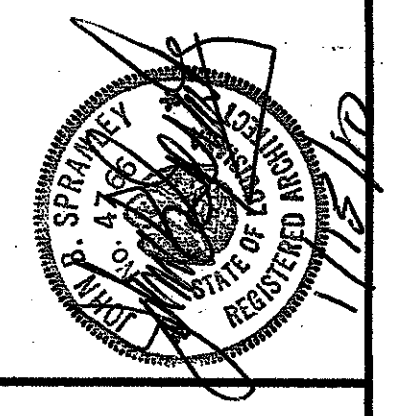
**8 PICKET FENCE DETAILS**  
A10/A11 PIPE BOLLARD.dwg 1/2" = 1'-0"



**9 TYP. WOOD FENCE PLAN DETAILS**  
A11/A11 PIPE BOLLARD.dwg 1 1/2" = 1'-0"



project no. 20-0901  
 drawn JED  
 checked JLP  
 date 01.15.2010  
 revised



**MEYER ENGINEERS, LTD.**  
 ENGINEER & ARCHITECT

**SITE PLAN DETAILS**  
 VAL RISS PARK  
 MULTI-PURPOSE BUILDING  
 ST. BERNARD PARISH, OWNER

sheet no. **A11**  
 of \_\_\_ sheets