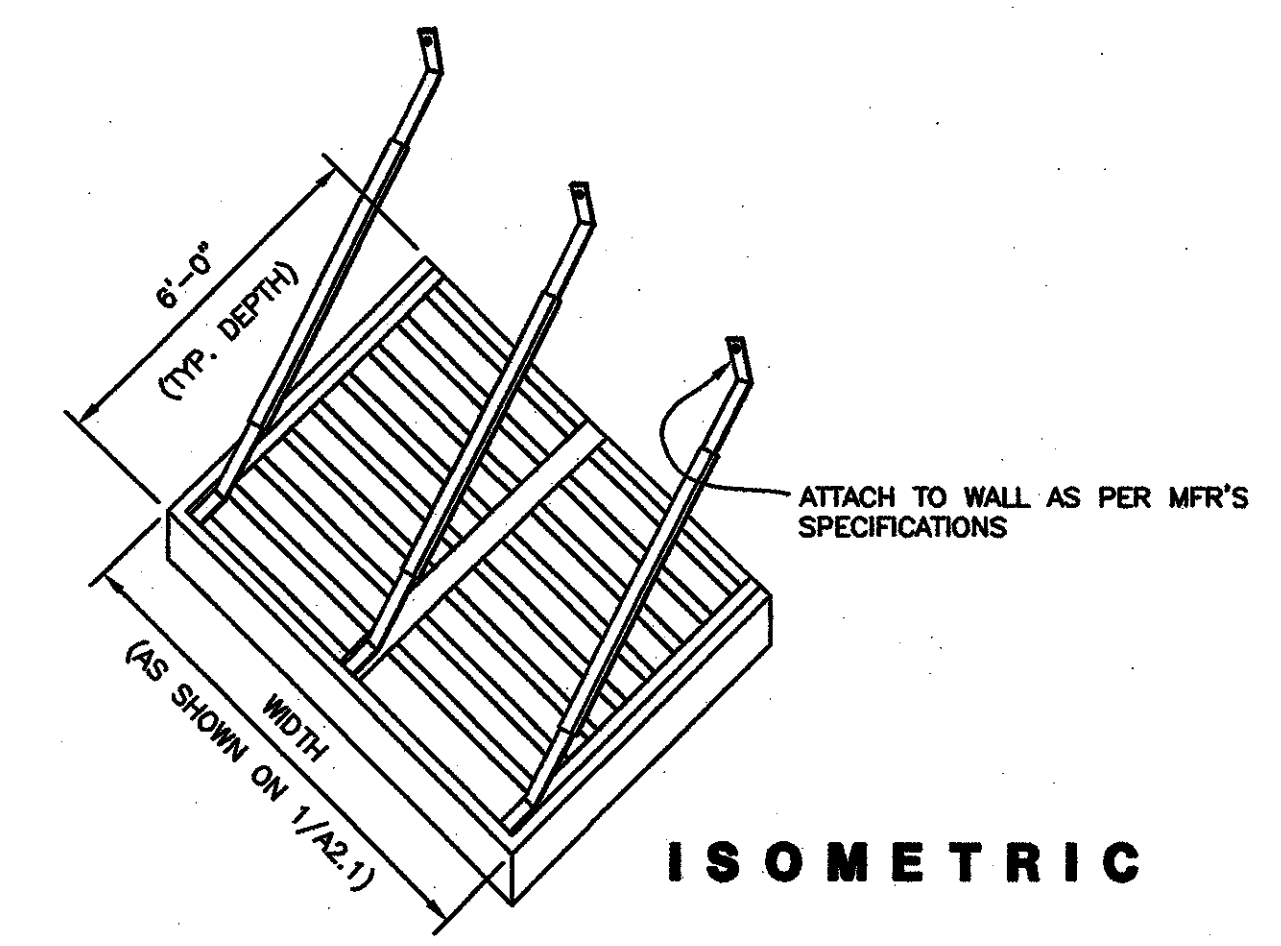


SECTION



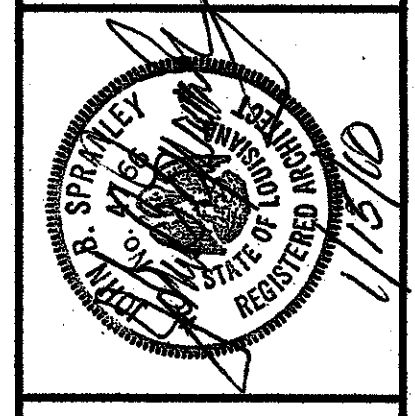
ISOMETRIC

2 CANOPY DETAIL NO SCALE

1 (BASE BID) EQUIPMENT PLATFORM PLAN 1/16" = 1'-0"



project no.	20-0801
drawn	JBS
checked	JJP
date	01.15.2010
revised	



MEYER ENGINEERS, LTD.
ENGINEER & ARCHITECT

BUILDING FLOOR PLAN
VAL RISS PARK
MULTI-PURPOSE BUILDING
ST. BERNARD PARISH, OWNER

sheet no.
A25
of ___ sheets