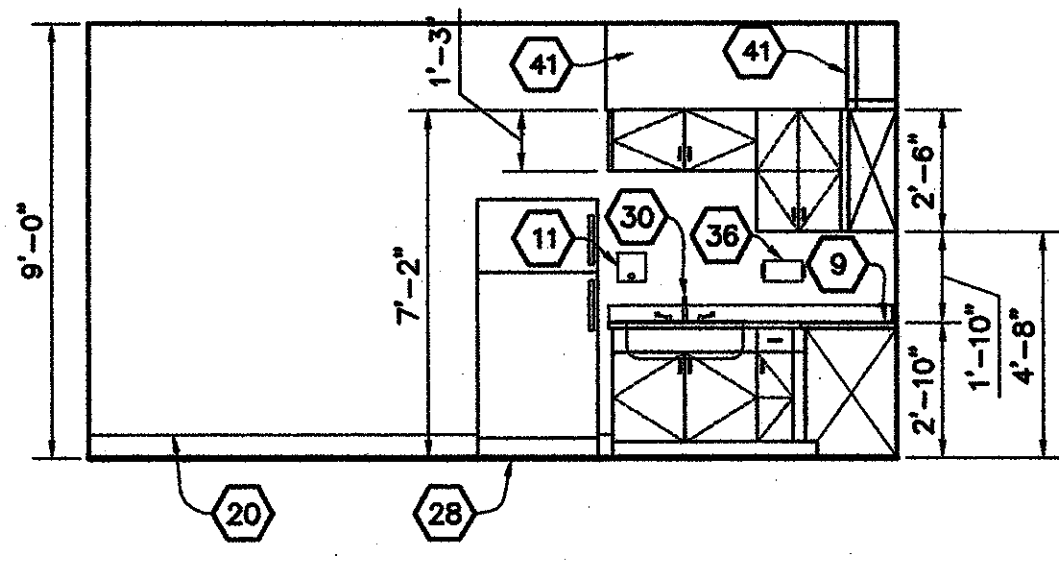
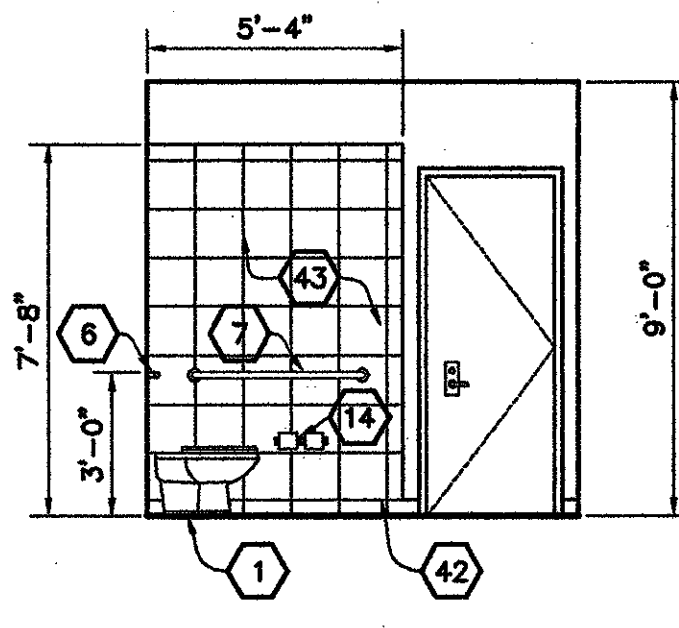


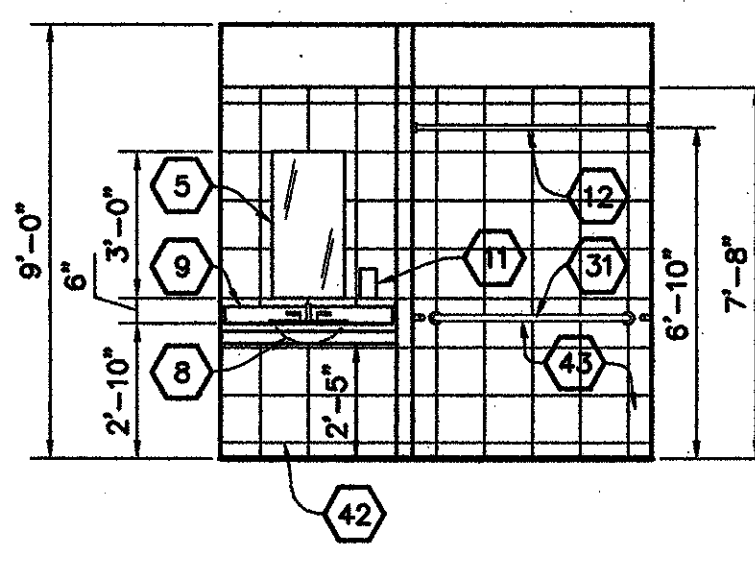
**1 (ALTERNATE No 2) BREAK ROOM A103**  
A&O|A&S 20-0001E01.dwg 1/4" = 1'-0"



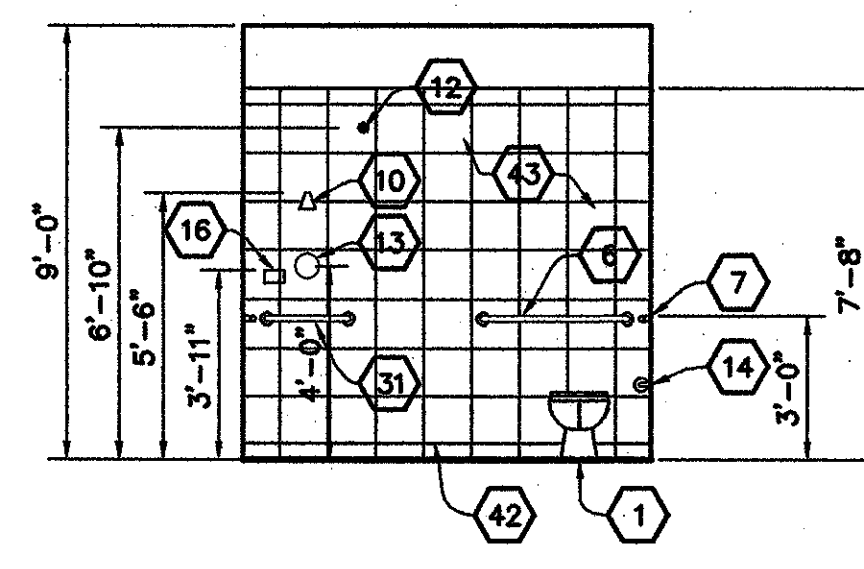
**2 (ALTERNATE No 2) BREAK ROOM A103**  
A&O|A&S 20-0001E01.dwg 1/4" = 1'-0"



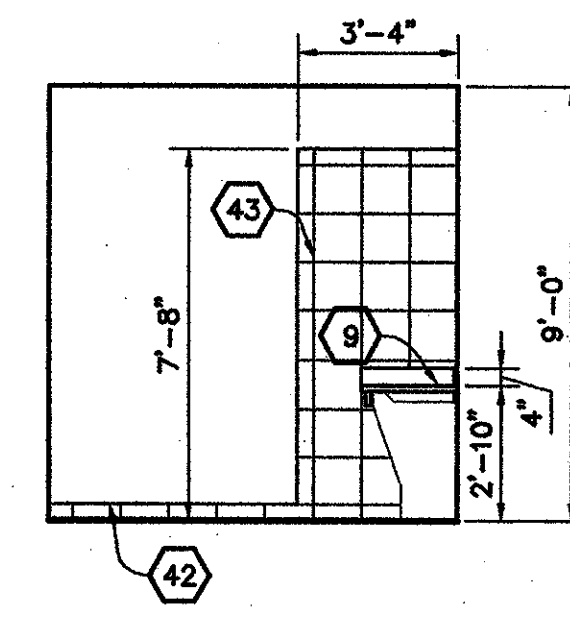
**3 (ALTERNATE No 2) TLT's A105 / A126**  
A&O|A&S 20-0001E01.dwg 1/4" = 1'-0"



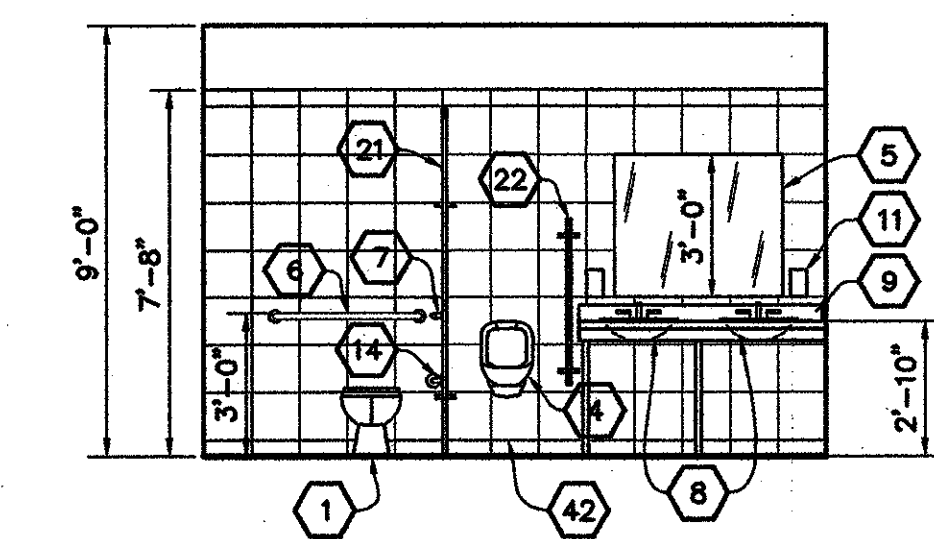
**4 (ALTERNATE No 2) TLT's A105 / A126**  
A&O|A&S 20-0001E01.dwg 1/4" = 1'-0"



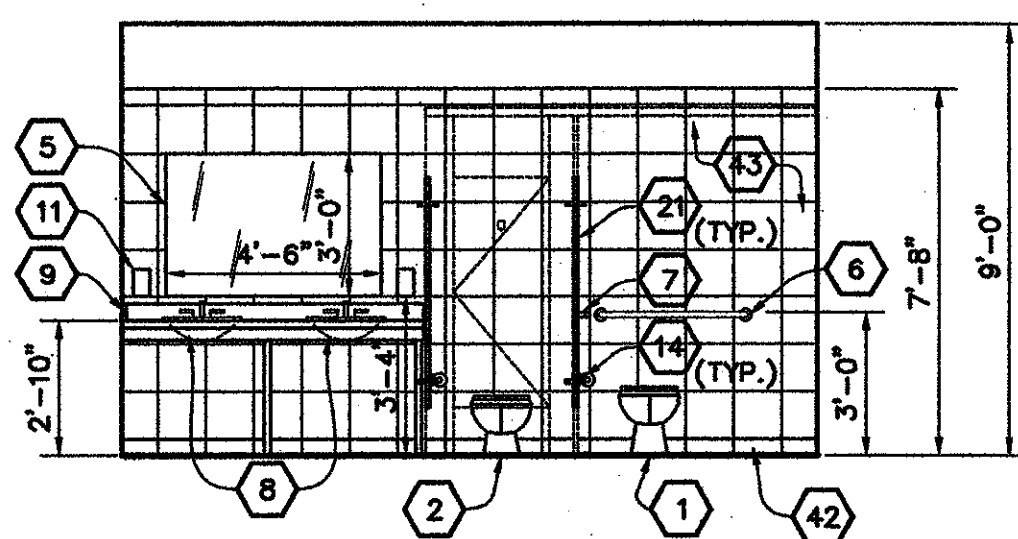
**5 (ALTERNATE No 2) TLT's A105 / A126**  
A&O|A&S 20-0001E01.dwg 1/4" = 1'-0"



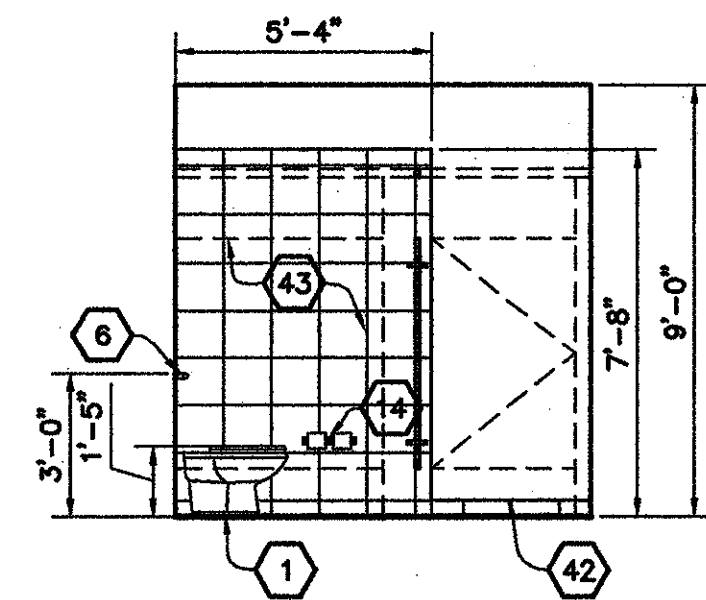
**6 (ALTERNATE No 2) TLT's A105 / A126**  
A&O|A&S 20-0001E01.dwg 1/4" = 1'-0"



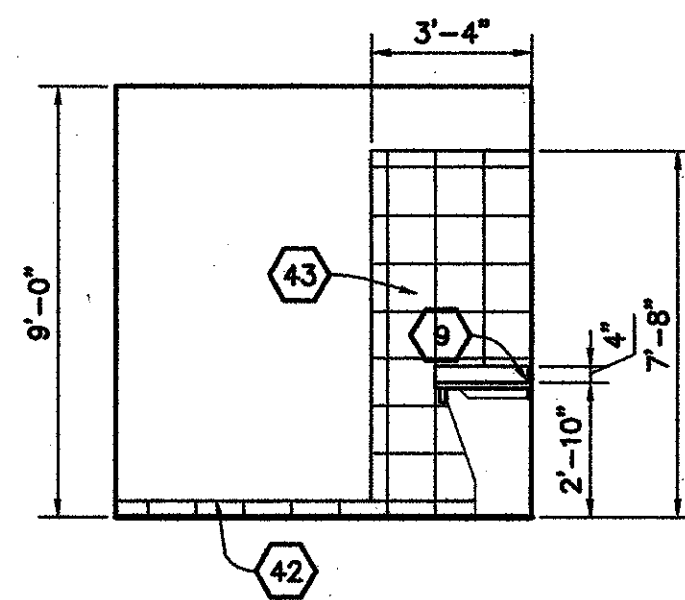
**7 (ALTERNATE No 2) MEN'S ROOM A113**  
A&O|A&S 20-0001E01.dwg 1/4" = 1'-0"



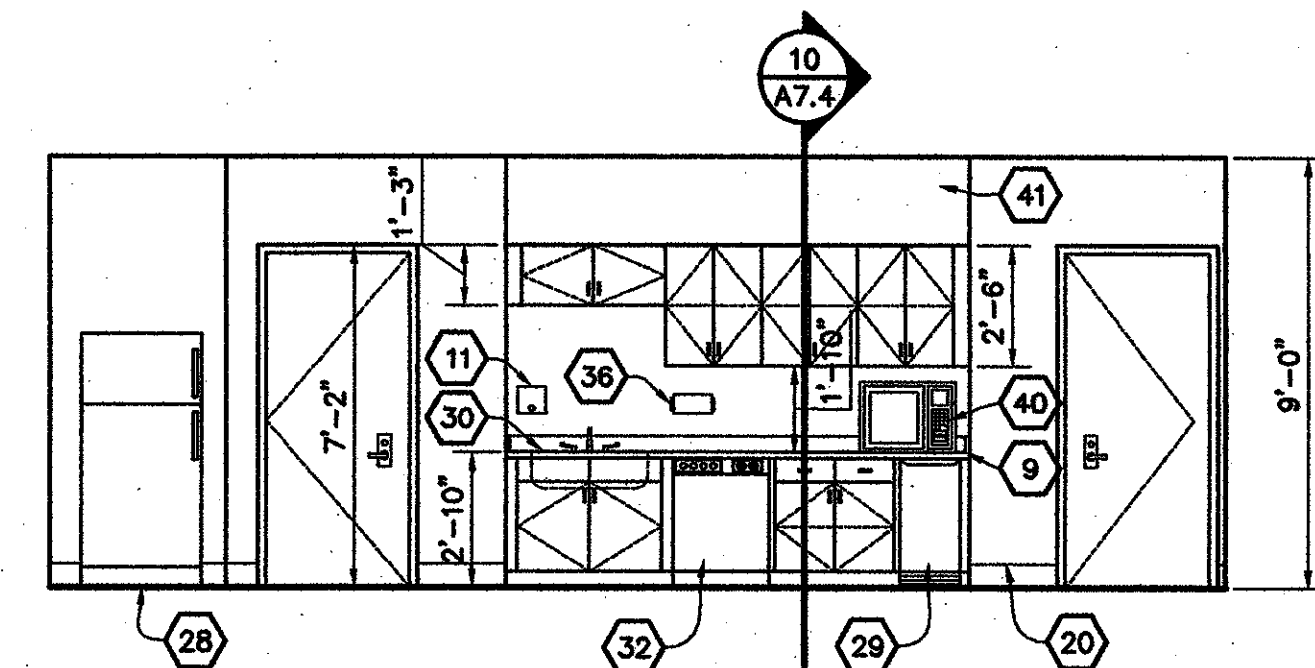
**8 (ALTERNATE No 2) WOMEN'S ROOM A112**  
A&O|A&S 20-0001E01.dwg 1/4" = 1'-0"



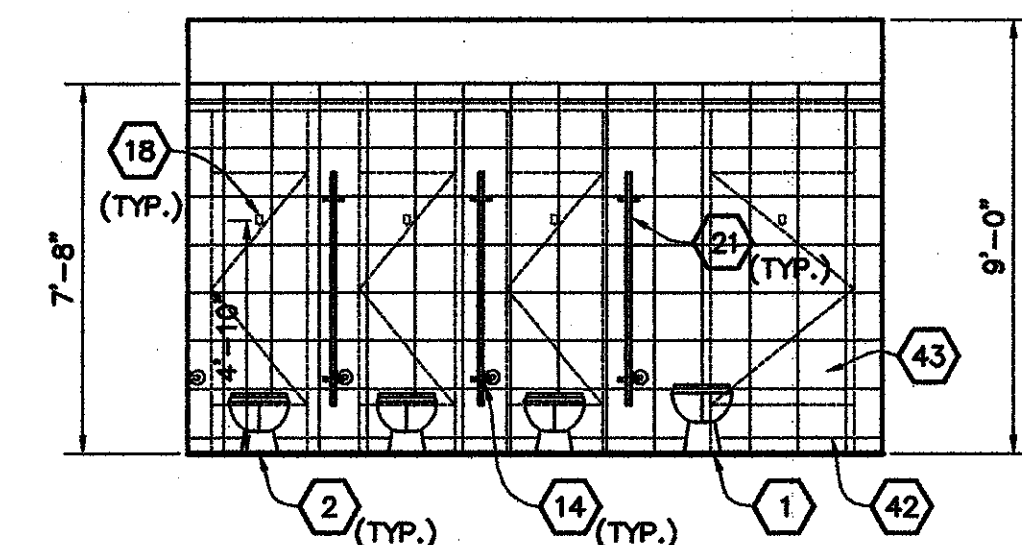
**9 (ALTERNATE No 2) TLT's A112 / A113**  
A&O|A&S 20-0001E01.dwg 1/4" = 1'-0"



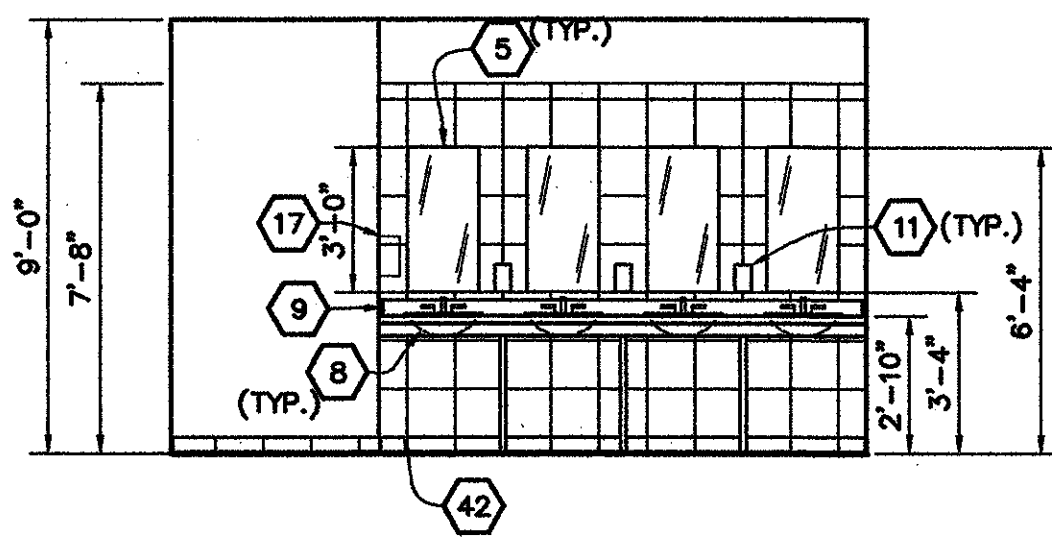
**10 (ALTERNATE No 2) TLT's A112 / A113**  
A&O|A&S 20-0001E01.dwg 1/4" = 1'-0"



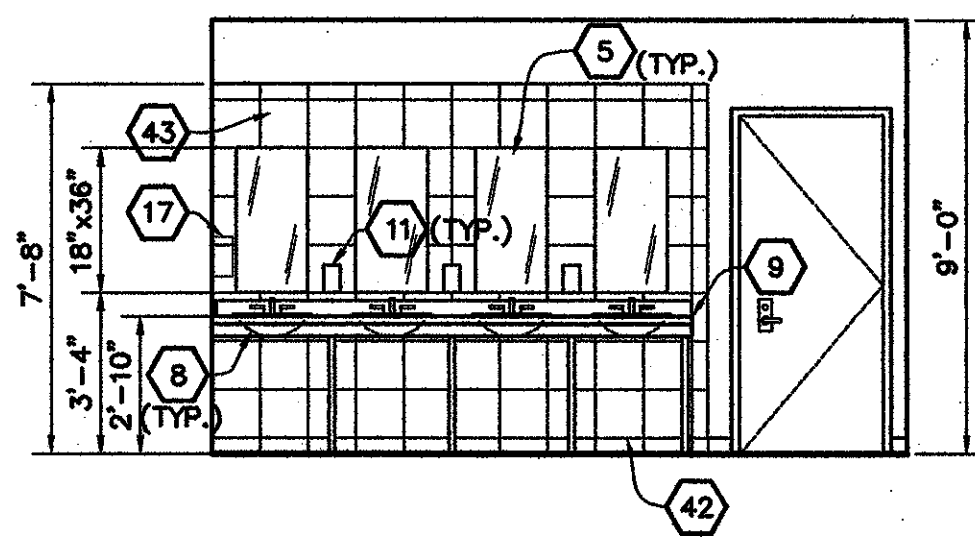
**11 (ALTERNATE No 2) CONFERENCE ROOM A111**  
A&O|A&S 20-0001E01.dwg 1/4" = 1'-0"



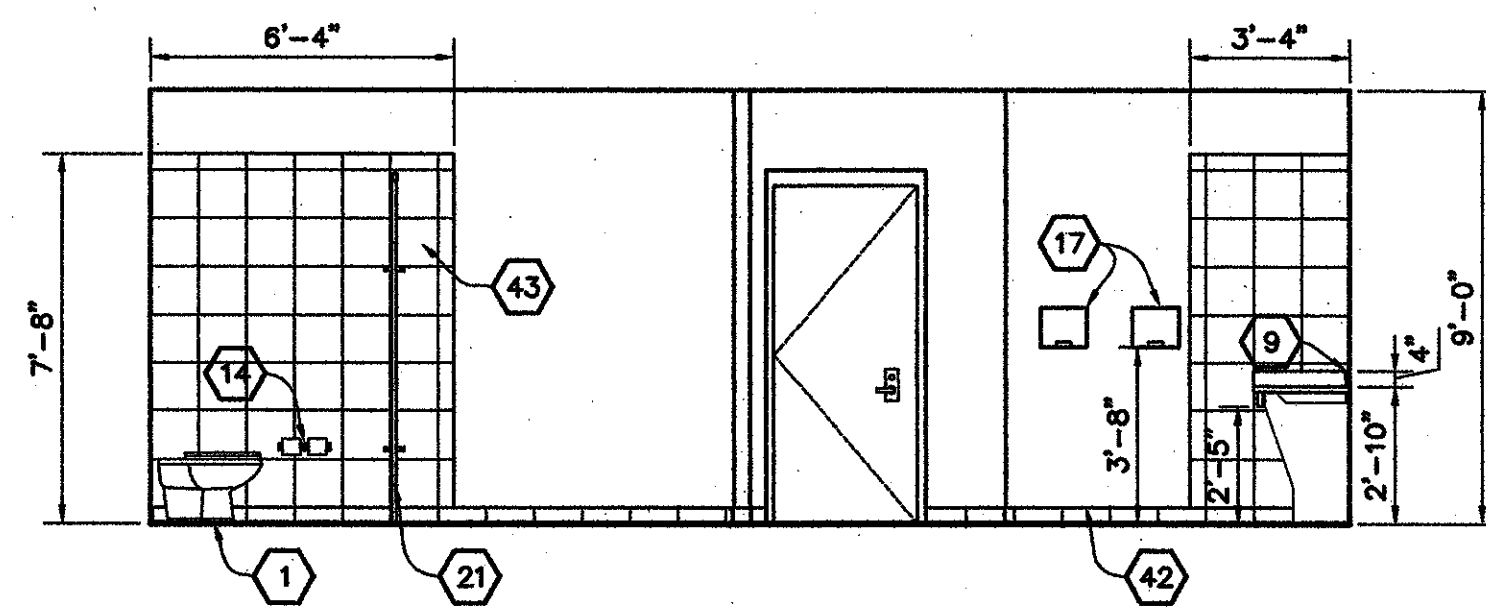
**12 (BASE BID) TOILET ROOM's B105 / B111**  
A&O|A&S 20-0001E01.dwg 1/4" = 1'-0"



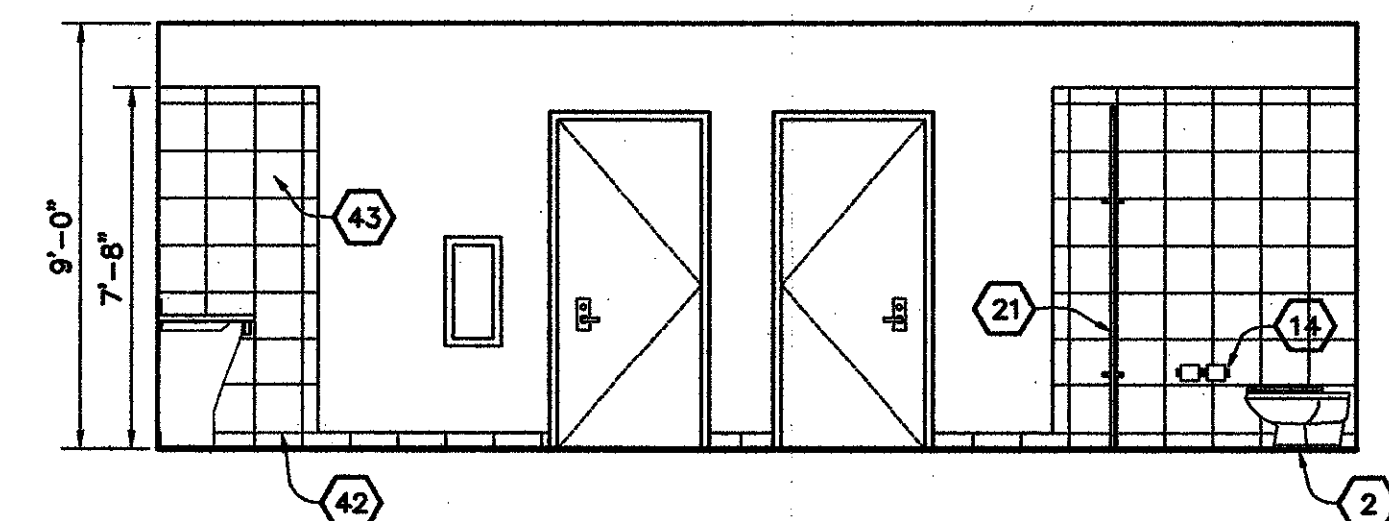
**13 (BASE BID) TOILET ROOM B111**  
A&O|A&S 20-0001E01.dwg 1/4" = 1'-0"



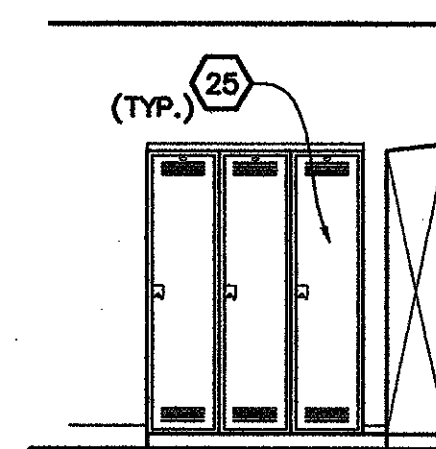
**14 (BASE BID) TOILET ROOM B105**  
A&O|A&S 20-0001E01.dwg 1/4" = 1'-0"



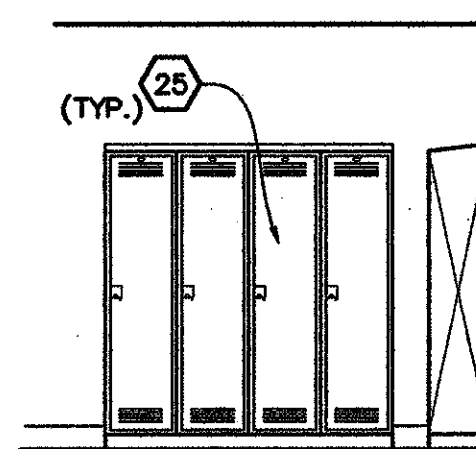
**15 (BASE BID) TOILET ROOM's B105 / B111**  
A&O|A&S 20-0001E01.dwg 1/4" = 1'-0"



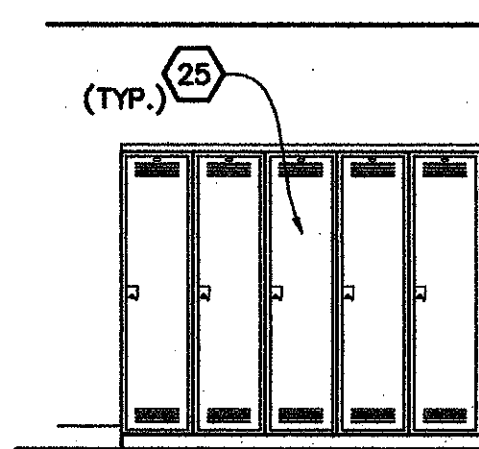
**16 (BASE BID) TOILET ROOM's B105 / B111**  
A&O|A&S 20-0001E01.dwg 1/4" = 1'-0"



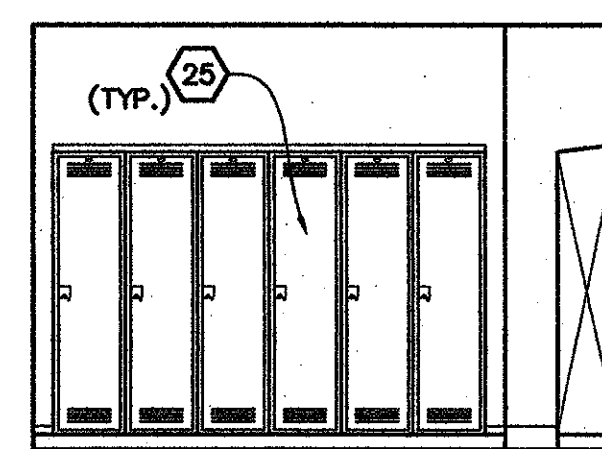
(THREE LOCKERS)



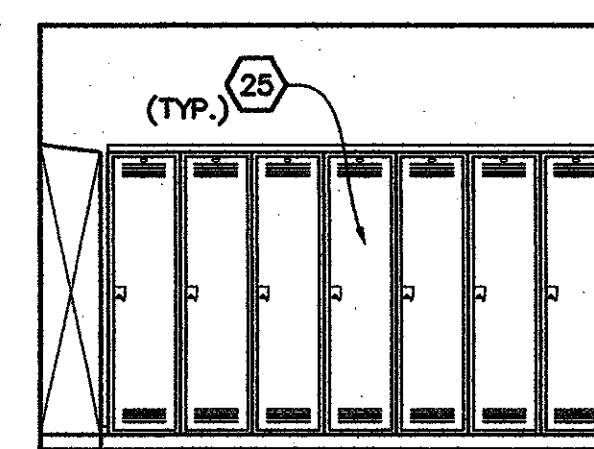
(FOUR LOCKERS)



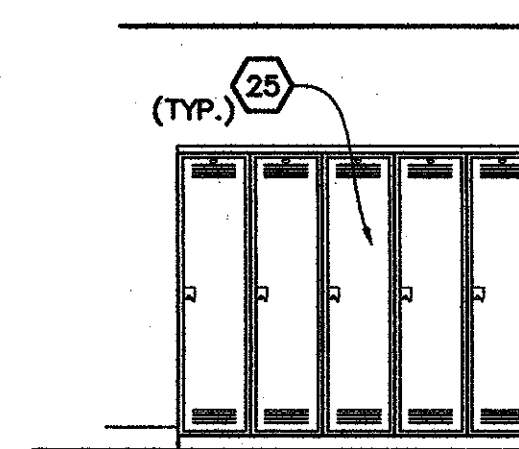
(FIVE LOCKERS)



(SIX LOCKERS)



(SEVEN LOCKERS)



(FIVE LOCKERS)

**17 (BASE BID) LOCKER ROOM's B106 / B108 / B112 / B114**  
A&O|A&S 20-0001E01.dwg 1/4" = 1'-0"

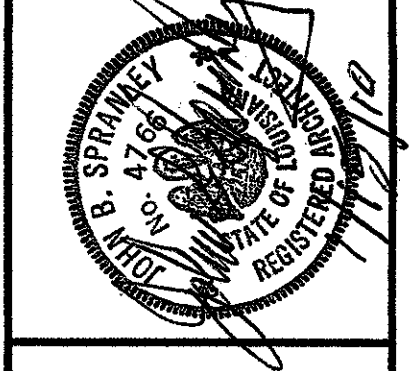
**18 (ALTERNATE No 2) OFFICIALS A104**  
A&O|A&S 20-0001E01.dwg 1/4" = 1'-0"

**KEYNOTES**

- 1 ADA FLOOR-MOUNTED TOILET
- 2 FLOOR-MOUNTED TOILET
- 3 URINAL
- 4 ADA URINAL
- 5 MIRROR (SEE INTERIOR ELEVS.)
- 6 36" GRAB BAR
- 7 42" GRAB BAR
- 8 COUNTER MOUNTED LAVATORY WITH FAUCET
- 9 P. LAM. COUNTER & BACKSPLASH
- 10 SHOWER HEAD
- 11 SOAP DISPENSER
- 12 SHOWER CURTAIN ROD
- 13 SHOWER HANDLE
- 14 TOILET PAPER DISPENSER
- 15 FEMININE NAPKIN DISPOSAL
- 16 RECESSED SOAP DISH
- 17 ADA COMPLIANT ELECTRIC HAND DRYER
- 18 COAT HOOK WITH BUMPER
- 19 L-SHAPED GRAB BAR (SEE SPEC.)
- 20 6" RUBBER BASE
- 21 SOLID PHENOLIC TOILET PARTITION (SEE SPEC.)
- 22 SOLID PHENOLIC URINAL PARTITION (SEE SPEC.)
- 23 SOLID PHENOLIC SHOWER DIVIDERS (SEE SPEC.)
- 24 3" SHOWER CURB
- 25 SOLID PLASTIC LOCKER ON 4" CONC. CURB (SEE SPEC.)
- 26 ADA FOLDING SHOWER SEAT (SEE SPEC.)
- 27 NO CURB ROLL IN SHOWER
- 28 REFRIGERATOR
- 29 ICE MAKER
- 30 TWO-COMPARTMENT SINK
- 31 HORIZONTAL THREE-WALL GRAB BAR, 24"x54"x24"
- 32 DISHWASHER
- 33 60 INCH LOCKER BENCH
- 34 45 INCH LOCKER BENCH
- 35 WALL MOUNTED BABY CHANGING STATION (SEE SPEC.)
- 36 PAPER TOWEL HOLDER
- 37 NOT USED
- 38 S.S. ROLL-UP SHUTTER
- 39 WATER DRINKING FOUNTAIN
- 40 MICROWAVE (BY OWNER)
- 41 GYP. BOARD FURR DOWN
- 42 4" PORCELAIN COVE BASE
- 43 12" x 12" PORCELAIN TILE

NOTE: PROVIDE SOLID WOOD BLOCKING FOR GRAB BAR, SINK, ETC. SUPPORT.

project no. 20-0901  
drawn JBS, JDR  
checked JJP  
date 01.15.2010  
revised



**MEYER ENGINEERS, LTD.**  
ENGINEER & ARCHITECT

INTERIOR ELEVATIONS  
VAL RISS PARK  
MULTI-PURPOSE BUILDING  
ST. BERNARD PARISH, OWNER

sheet no. **A5.3**  
of \_\_\_ sheets